

MULTI CYCLONE

12 & 16 CENTRIFUGAL PRE-FILTRATION
PRÉFILTRATION CENTRIFUGE 12 et 16
12- UND 16-FACHE ZENTRIFUGAL-VORFILTERUNG
PREFILTRACIÓN CENTRÍFUGA 12 Y 16
V12 & 16 CENTRIFUGALE VOORFILTRATIE
PRÉ-FILTRAGEM CENTRÍFUGA – 12 E 16
12 e 16 PREFILTRAZIONE CENTRIFUGA
CENTRIFUGAL FÖRFILTRERING 12 & 16
12 & 16 LINKOAVA ESISUODATUS
12 & 16 SENTRIFUGAL FORHÅNDSFILTRERING
12 و 16 الفلتره المسبقة بالطرد المركزي
12 & 16 离心预过滤

Installation and Operation Manual
Manuel d'installation et d'utilisation
Installations- und Betriebshandbuch
Manual de instalación y funcionamiento
Installatie- en bedieningshandleiding
Manual de instalação e utilização
Manuale per l'installazione e il funzionamento
Installations- och bruksanvisning
Asennus- ja käyttöohjekirja
Monterings- og driftshåndbok
دليل التركيب والتشغيل
安装和操作手册



Certified to
NSF/ANSI/CAN 50

⚠ WARNING

This equipment must be installed and serviced by a qualified technician. Improper installation can create electrical hazards which could result in property damage, serious injury or death. Improper installation will void the warranty.

⚠ AVERTISSEMENT

L'installation et l'entretien de cet équipement doivent être confiés à un technicien qualifié. Une mauvaise installation peut présenter des risques électriques pouvant entraîner des préjudices matériels, des blessures graves ou la mort. Toute mauvaise installation annule la garantie.

⚠ WARNHINWEIS

Dieses Gerät muss von einem qualifizierten Techniker installiert und gewartet werden. Eine unsachgemäße Installation kann elektrische Gefahren erzeugen, die zu Sachschäden, schweren Verletzungen oder zum Tod führen können. Eine unsachgemäße Installation führt zum Erlöschen der Garantie.

⚠ ADVERTENCIA

El equipo lo debe instalar y mantener un técnico cualificado. La instalación incorrecta puede originar riesgos de tipo eléctrico que pueden causar daños materiales, lesiones graves o la muerte. La instalación incorrecta anulará la garantía.

⚠ WAARSCHUWING

Deze apparatuur moet door een vakkundig technicus worden geïnstalleerd en onderhouden. Onjuiste installatie kan een elektrisch gevaar opleveren die schade kan toebrengen aan eigendommen, ernstig letsel kan veroorzaken of overlijden tot gevolg kan hebben. Bij een foutieve installatie vervalt de garantie.

⚠ AVISO

A instalação e manutenção deste equipamento devem ser efetuadas por um técnico qualificado. A instalação indevida pode originar perigos elétricos e resultar em danos materiais, lesões graves ou morte. Uma instalação incorreta invalidará a garantia.

⚠ AVVERTENZA

L'installazione e la manutenzione di questa attrezzatura devono essere affidate a un tecnico qualificato. Un'installazione non corretta può causare pericoli elettrici, con la conseguenza di potenziali danni materiali, gravi infortuni alla persona o morte. L'esecuzione non conforme dell'installazione rende nulla la garanzia.

⚠ WARNING

Endast kvalificerade tekniker får utföra installation och service på den här utrustningen. En felaktig installation kan resultera i elektriska faror som i sin tur kan leda till materialskador, personskador eller dödsfall. Felaktig installation gör garantin ogiltig.

⚠ VAROITUS

Vain pätevä teknikko saa asentaa tämän laitteen ja huoltaa sitä. Väärin asennettu laite voi aiheuttaa sähkövikoja, jotka voivat johtaa omaisuuden vahingoittumiseen, vakaviin vammoihin tai kuolemaan. Laitteen väärin asentaminen mitätöi takuun.

⚠ ADVARSEL

Vain pätevä teknikko saa asentaa tämän laitteen ja huoltaa sitä. Väärin asennettu laite voi aiheuttaa sähkövikoja, jotka voivat johtaa omaisuuden vahingoittumiseen, vakaviin vammoihin tai kuolemaan. Laitteen väärin asentaminen mitätöi takuun.

⚠ تحذير

يجب أن تتم أعمال تركيب هذه المعدة وصيانتها على يد فني مؤهل، قد يؤدي التركيب غير الصحيح إلى حدوث مخاطر كهربية قد ينجم عنها تلف الممتلكات أو التعرض لإصابة خطيرة أو الوفاة. سيؤدي التركيب غير الصحيح إلى إبطال الضمان.

⚠ 警告

本设备必须由具备相关资质的人员安装和维护。安装不当易造成电气隐患，进而导致财产受损、人员伤亡。若本设备安装不当，其所附质保将随即作废。



Notice to Installer/Consignes destinées à l'installateur/Hinweis für den Installateur/Aviso para el personal de instalación/Informatie voor de installateur/Aviso ao responsável pela instalação/Avviso per l'installatore/ Huomautus asentajalle/Meddelande till den som installerar utrustningen/ Merknad til montør/ ملاحظة خاصة بفتى التركيب /装人员须知

This manual contains important information about the installation, operation and safe use of this product. Once the product has been installed **this manual must be given to the owner/operator of this equipment.**

Le présent manuel contient des informations importantes relatives à l'installation, au fonctionnement et à l'utilisation sûre de ce produit. Une fois le produit installé, ce manuel doit être remis au propriétaire **ou à l'opérateur de l'équipement.**

Dieses Handbuch enthält wichtige Informationen über die Installation, den Betrieb und die sichere Verwendung dieses Produkts. Nach der Installation des Produkts muss **dieses Handbuch dem Besitzer bzw. Bediener dieses Geräts übergeben werden.**

Este manual contiene información importante sobre la instalación, el funcionamiento y el uso seguro de este producto. Una vez que se haya instalado el producto, **este manual se debe entregar al propietario/operario del equipo.**

In deze handleiding staat belangrijke informatie over de installatie, bediening en het veilig gebruik van dit product. Na installatie **moet deze handleiding worden overhandigd aan de eigenaar/gebruiker van deze apparatuur.**

Este manual contém informações importantes sobre a instalação, operação e utilização segura deste produto. Após a instalação do produto, **este manual deve ser fornecido ao proprietário/operador deste equipamento.**

Il presente manuale contiene importanti informazioni sull'installazione, il funzionamento e l'utilizzo sicuro del prodotto. Una volta completata l'installazione, **il presente manuale deve essere consegnato al proprietario/operatore dell'apparecchio.**

Den här bruksanvisningen innehåller viktig information om installation och säkert bruk av den här produkten. **Den här bruksanvisningen måste överlämnas till utrustningens ägare/användare** när produkten har installerats.

Tässä ohjekirjassa on tärkeää tietoa tämän laitteen asennuksesta, käytöstä ja turvallisuudesta. Kun laite on asennettu, **tämä ohjekirja on annettava laitteen omistajalle/käyttäjälle.**

Denne håndboken inneholder viktig informasjon om montering, drift og trygg bruk av dette produktet. Etter at produktet er montert **skal denne håndboken leveres til eieren/operatøren av dette utstyret.**

يشتمل هذا الدليل على معلومات مهمة عن تركيب هذا المنتج وتشغيله واستخدامه بشكل آمن. يجب تسليم هذا الدليل إلى مالك/مشغل هذه المعدات بمجرد الانتهاء من تركيب المنتج.

本手册内含本产品安装、操作及安全使用的重要说明。产品安装完成后，必须将本手册交给本设备的所有者/操作者。

Table of Contents

GENERAL SAFETY RULES	01
MULTICYCLONE	02
MULTICYCLONE TOTAL HEAD LOSS CURVE	04
INSTALLATION	04
START UP PROCEDURE	08
MULTICYCLONE FILTER MAINTENANCE	09
INSUFFICIENT WATER PRESSURE	10
GENERAL MAINTENANCE GUIDE	11
WINTERISING	12
TROUBLESHOOTING GUIDE	13
WARRANTY	13

GENERAL SAFETY RULES

1. The machines & equipment mentioned in the manual are specially designed for the pre-filtering and re-circulation of water in swimming pools.
2. They are designed to work with clean water at a temperature not exceeding **45 degrees Celsius (113 degrees Fahrenheit)**.
3. The installation should be carried out in accordance to the safety instructions of swimming pools, **especially Standard HD 60364-7-702**, and the specific instructions for each facility.
4. The rules enforce on accident prevention should be carefully followed.
5. Any modification of the pump requires the **prior consent of the manufacturer**. Original replacement parts and accessories authorised by the manufacturer ensure a high level of safety. The manufacturer of the pump assumes no liability for the damage and injuries **caused by un-authorised replacement parts and accessories**.
6. During operation, some parts of the pump and other equipment are subject to dangerous electric voltage. Work may only be performed on each pump or on the equipment connected to it after **disconnecting them from the mains power, and after disconnecting the starting device**.
7. The user should make sure that assembly and maintenance tasks are carried out by **qualified authorised persons** and that these persons have first carefully read the instructions for service and installation.
8. The operating safety of the pump and other equipment is only guaranteed if the installation and service instructions are correctly followed.
9. The limit values stated in the technical table **should not be exceeded under any condition**.
10. In the event of defective operation or fault, contact the technical support department of the manufacturer or its nearest authorised agents.
11. If the supply cord is damaged, it must be replaced by an authorised service agent.
12. The appliance is not intended for use by persons (including children) with reduced physical, sensory or mental capabilities, or lack of experience and knowledge, unless they have been given supervision or instruction concerning use of the appliance by a person responsible for their safety, and if they understand the hazards involved.
13. The appliance is not intended for use by young children. Young children should be supervised to ensure that they do not play with the appliance.
14. All wiring (electrical work) must be carried out by licensed electricians and must be installed in accordance to the local codes.
15. If the pump and or other equipment is to be installed on a swimming pool or pond situation it is mandatory that an earth leakage circuit breaker with a rated tripping current not exceeding 30mA be installed.
16. Always disconnect the appliance from the supply before assembling, disassembling or cleaning.
17. In freezing conditions, water must be drained out completely from the pump housing by opening the drain plugs on the pump housing.

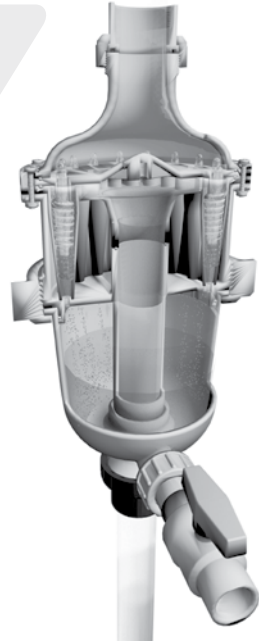
For Use in Europe:

1. This appliance is not intended for use by persons (including children aged from 8 and above) with reduced physical, sensory or mental capabilities, or lack of experience and knowledge, unless they have been given supervision or instruction concerning use of the appliance by a person responsible for their safety.
2. Children should be supervised to ensure that they do not play with the appliance.
3. Cleaning and user maintenance shall not be made by children without supervision.

MULTICYCLONE

MultiCyclone is a brilliant prefiltration device that can save water and minimises pool filter maintenance. Based on the principals of centrifugal water filtration, MultiCyclone filters up to 80% of the pool's dirt load before it reaches the pool filter and only requires 15 litres (4 gallons) of water to clean.

- Minimises filter maintenance and saves water.
- No filter media to clean or replace.
- Multiple hydrocyclones.
- Suitable for new and existing installations.



Centrifugal Water Filtration

Incoming water tangentially enters its multiple hydrocyclones, generating a strong centrifugal effect. Approximately 80% of the incoming dirt load is spiralled down to its clear sediment chamber. The outgoing water is piped to the finally polished via the pools filtration system.

Simple maintenance

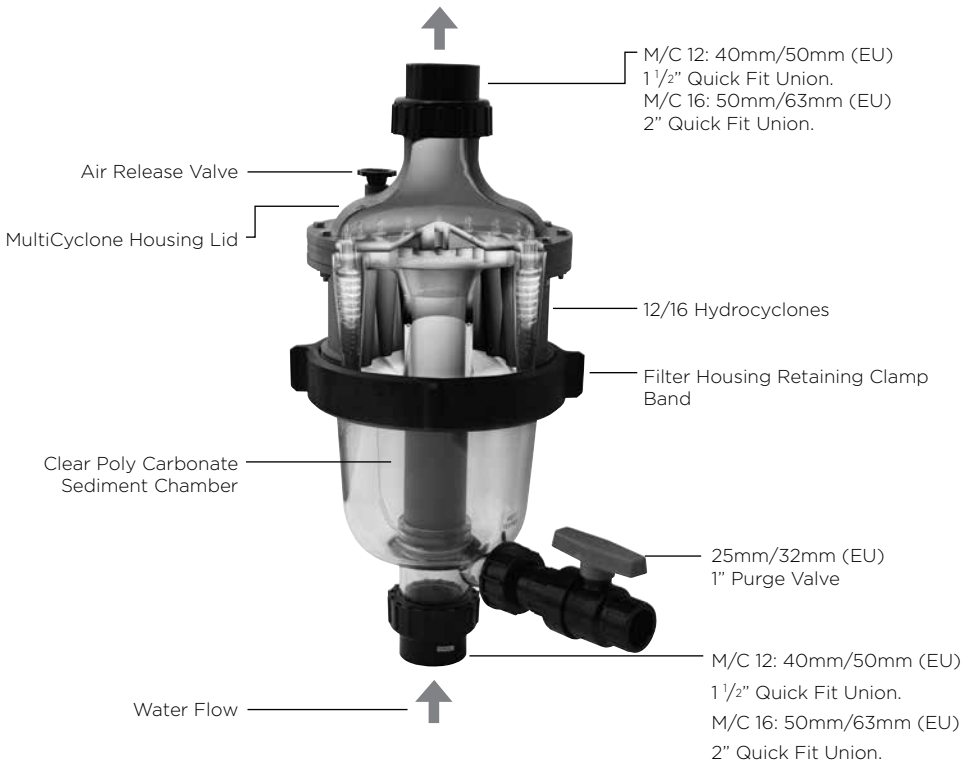
The MultiCyclone sediment chamber is easily cleaned by opening its purge valve. Only 15 litres (4 gallons) of water is discharged.

Minimise Media Filter Backwash Frequency

The installation of a MultiCyclone as a pre-filter to a sand filter can reduce its backwash frequency to once per year, resulting in a saving of up to 7000 litres (1850 gallons) of water per year for an average domestic sized swimming pool.

Minimise Filter Cartridge Cleaning and Replacement

The installation of a MultiCyclone as a pre-filter to a cartridge filter can reduce filter cartridge cleaning and replacement to once per swimming season and even up to once per year, depending on the size of the cartridge filter.

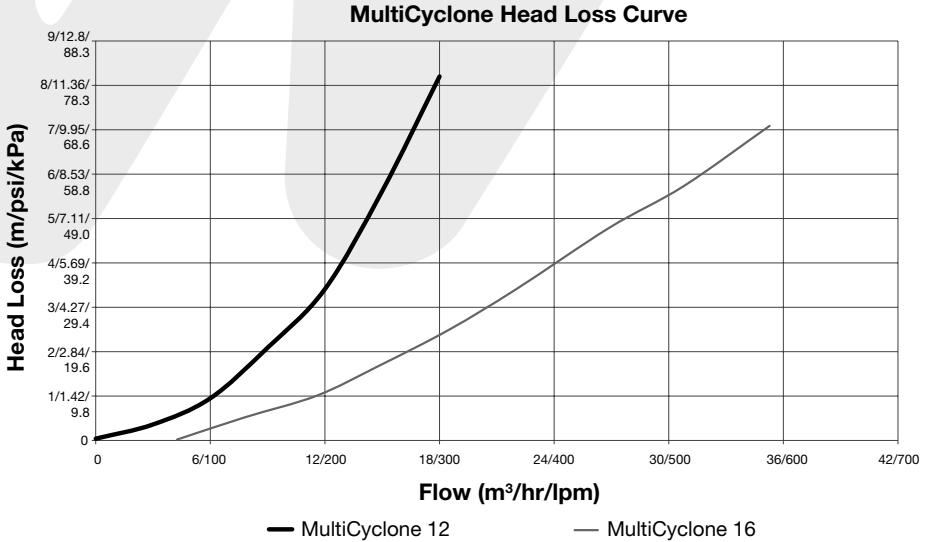


The accumulation of sediment can be visibly monitored through the MultiCyclone clear sediment chamber. The Multicyclone sediment chamber is cleaned by simply opening the purge valve. Only 15 litres (4 gallons) of water is discharged to clean the Multicyclone of sediment.

Note: The MultiCyclone centrifugal section is designed to filter sediment that is heavier than water; floating debris cannot be filtered out by centrifugal filtration.

Model	Connection Ports	Minimum Flow	Maximum Flow	Max. Pressure
MultiCyclone 12	40mm/50mm (EU)/ 1 1/2" Quick Fit Union	40lpm/2.4 m ³ /hr/ 11gpm	300lpm/18m ³ /hr/ 79gpm	350 kPa (50psi)
MultiCyclone 16	50mm/63mm (EU)/ 2" Quick Fit Union	50lpm/3 m ³ /hr/ 13gpm	500lpm/30m ³ /hr/ 132gpm	350 kPa (50psi)

MULTICYCLONE PLUS TOTAL HEAD LOSS CURVE



INSTALLATION

Be sure to comply with the local plumbing codes.

Be sure that all provisions for wastewater disposal meet local, state or national codes. Do not discharge water where it will cause flooding or damage.

If the incoming water pressure is higher than the maximum operating pressure of 350kPa/3.5Bar/50psi, a Pressure Regulating Valve (PRV) must be installed upstream of the filter inlet.

The PRV should be set to 90% of the maximum operating pressure of the tank.

If the incoming water flow is less than the filter's minimum flow requirements, the filter's filtration efficiency will be affected, please consult Waterco.

Typical Installation

1. Position the filter as close to the Swimming Pool/Spa as possible.
2. Position the filter so that it is free from flooding, away from sumps, guttering, garden hollows, etc.
3. Position the filter so that the piping connections purge valve and air release valve is convenient and accessible for operation, servicing and winterising.
4. Ensure that the compliance label is facing the front to allow easy identification.
5. The filter should be placed on a level concrete slab, very firm ground, or equivalent. Ensure that the ground will not subside, preventing any strain from the attached plumbing.
6. Ensure that there is no movement of the filter during operation of the Purge valve.
7. Allow sufficient clearance around the filter to permit visual inspection of the entire system.

*NOTE: DE FILTERS REQUIRE A BYPASS



Typical Installation with a Media Filter



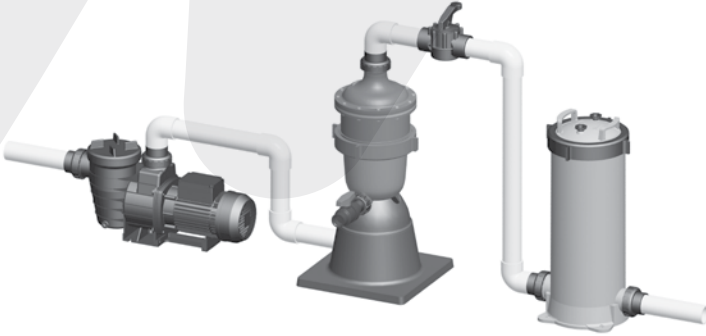
Typical Installation with a Cartridge Filter



Typical installation with a DE Filter

Optional Mounting Stand

An optional mounting stand is also available for situations where the MultiCyclone cannot be installed directly above your pool pump.



Installation with optional Mounting Stand

Plumbing

1. Check that the incoming water pressure is within the filter's recommended working pressure and ensure that a pressure limiting valve is installed if using mains water or a high pressure pump.
2. Ensure that a foot valve/non return valve are installed if the pump is installed 500mm/20" above the water level.
3. If the filter is installed below the water level or connected to mains water, isolation valves should be installed at the inlet and outlet of the filter. This will prevent water flow during any routine maintenance.
4. Minimise the length of pipe and the number of fittings to minimise restrictions to water flow.
5. Ensure that all plumbing connections are glued and tightened securely to prevent leaking.
6. Ensure solvents are not excessively applied to fittings as this could run into "o"-rings and create sealing problems.
7. Do not over tighten fittings or adapters.

Screw the supplied half barrel unions and tails onto the inlet and outlet before gluing the UPVC piping onto the filter.

CAUTION

Note: Do not use liquid sealant or thread tape on the thread of the inlet or outlet threads of the MultiCyclone or connecting barrel union threads.

Use only recommended glue for connection pipe and fittings

Cut and fit the pipe and fittings onto the MultiCyclone and the pump. **Refer** to Pump Installation Manual for correct pump plumbing procedures.

It is **best practice** to fit all the cut pipe and fittings onto the filtration system **before** gluing; this will ensure that the system has **been aligned** correctly.

Glue the pipe and fittings onto the pump, filter and pool return lines and **allow** the glue to set **for 24 hours** before commissioning the system.

Plumbing Connection

1. Ensure that a foot valve/non return valve is installed if the pump is installed 500mm/20" above the water level.
2. If the filter is installed below the water level or connected to mains water, isolation valves should be installed at the inlet and outlet of the filter. This will prevent water flow during any routine maintenance.
3. Minimise the length of pipe and the number of fittings to minimise restrictions to water flow.
4. Connect the pipe extending from the pump outlet to the inlet of the MultiCyclone.
5. Connect from the pipe extending from the outlet of the MultiCyclone to the next component in line with the filtration system.
6. Glue all plumbing to barrel union fittings in accordance with glue (solvent) manufactures specifications and allow 24 hours to set. Ensure glue (solvent) is not excessively applied to fittings as this could run onto "o"-rings and create sealing problems.

Note: Waterco recommends that a shut off valve be installed after the MultiCyclone on the pool return line to assist with flushing out the collected debris. Please refer to "Insufficient Water Pressure".

7. Connect to Waste Line. Glue the plumbing from the Sediment Purge Valve to a waste line, drain or suitable drainage area.
8. Turn on pool pump. Be sure to check that there are no leaks from the connectors. If required, tighten by hand.

START UP PROCEDURE

The MultiCyclone is an advanced and highly efficient filter system that will provide years of trouble free service if the following maintenance procedures are maintained.

To start up the filtration system either from new or after cleaning is exactly the same.

1. Ensure that the MultiCyclone is plumbed correctly.
2. Ensure that all valves installed before and after the MultiCyclone are open.
3. Loosen the air release valve on top of the MultiCyclone filter.
4. Prime the swimming pool pump. (Refer to the pump installation and operation manual).
5. Turn on the swimming pool pump and allow the pump to run until all the air has been expelled from the MultiCyclone. Water will run from the air release valve.
6. Re-tighten the air release valve.
7. The filter is primed and ready for operation.

Note: In some cases this may be required to be done a few times before the unit will remain primed and be fully operational.

CAUTION

Do not stand over the top of the MultiCyclone while adjusting the air release valve to purge the system of air.

Injury may occur if air release valve becomes loose.

MULTICYCLONE FILTER MAINTENANCE

The MultiCyclone filter maintenance is determined by the following conditions:

1. The sediment chamber is half filled with sediment. This accumulation of sediment can be visibly monitored through the MultiCyclone clear sediment chamber. The MultiCyclone is cleaned by simply opening the purge valve. Only 15 litres (4 gallons) of water is discharged to clean the MultiCyclone of sediment.

Flush out the sediment chamber

With pump running:

While the water pump is running simply open the sediment purge valve until the sediment has been flushed out. This is visible through the clear sediment chamber. Once the sediment has been flushed out, close the purge valve.

Without pump running:

Alternatively, switch the pump, off. Open the air release valve and then open the purge valve. The water will drop through the MultiCyclone flushing out most of the debris from the sediment chamber. Then close the air release valve and turn on the pump and the turbulence of the water entering the sediment chamber will flush out the rest of the sediment. Once the sediment chamber has been cleansed, close the purge valve, start the pump and close the air release valve once water is flowing out through the air release valve.

INSUFFICIENT WATER PRESSURE

In situations where the water flow from the pump is not powerful enough to purge the sediment out of the sediment chamber, Waterco recommends fitting a 2 way valve after the MultiCyclone on the pool water return line.

The 2 way valve is used to throttle the flow of water out of the MultiCyclone, increasing water turbulence through the sediment chamber and improving its purging action.

While the pump is operating, open the purge valve, and then partially close the 2 way valve, throttling the water flow sufficiently to purge the sediment chamber of trapped sediment. Once the sediment chamber is clean, open the 2 way valve and then close the purge valve.

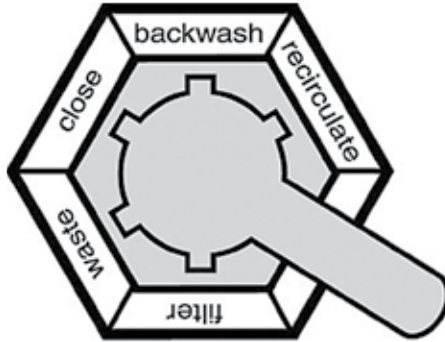


Installation with 2 way shut off valve Cartridge Filter

⚠ CAUTION

Do not close the 2 way valve prior to opening the purge valve and do not close the purge valve while the 2 way valve is closed or partially closed. Both valves should never be closed or partially closed at the same time.

If the MultiCyclone is installed as a pre-filter to a media filter, water flow to the media filter can be closed via the media filter's multiport valve.*



***NOTE:** This position is not available on 4-Way Multiport Valves.

GENERAL MAINTENANCE GUIDE

To ensure the maximum life of the MultiCyclone, please follow the procedures below:

1. Visually monitor through the MultiCyclone clear sediment chamber. Clean sediment chamber when accumulated sediment is half full.
2. Maintain a correct chemical balance of your pool/spa water. The chemical balance of water is a relationship between its pH, total alkalinity, calcium hardness and water temperature. The water must be maintained at all times to the following:

PH LEVEL	: BETWEEN 7.2 & 7.8.
TOTAL ALKALINITY	: BETWEEN 80 & 150ppm.
CALCIUM HARDNESS	: BETWEEN 150 & 300ppm.

Also, within these tolerances be balanced to the Langelier Saturation Index within a range of -0.2 to +0.2.

Note: Testing kits are available to test the water yourself or alternately bring a sample of the water to a professional pool and spa shop.

3. Mains water and rural water supplies need to be monitored. Saturation (life) in mains water or bore (rural) will vary depending on water quality.
4. To prevent damage to the pump and filter and for proper operation of the system, clean pump strainer and skimmer baskets regularly.
5. Replace the pressure gauge if faulty readings are observed.

WINTERISING

Proper procedures should always be taken in order to protect your filter in cold climates (temperatures below freezing point).

1. Switch off the Pump/Close the inlet valve.
2. Open the air release valve and open the purge valve to allow water to flow out of the MultiCyclone.
 - a. Media Filter, move the Multi Port Valve handle to the winterise position (between filter and waste).
 - b. Cartridge Filter, open air release valve. This will allow air to through to all ports.
3. Remove any drain plugs from the pump.
4. Drain water from the pipe work.

TROUBLESHOOTING GUIDE

Symptoms	Possible Problems / Solutions
Water Is Not Clear	Insufficient disinfectant level.
	Incorrect pool chemistry.
	Heavy bathing and/or dirt loads.
	Incorrect flow.
	Insufficient running times. (Increase pump run time.)
	Filter is dirty. (Clean per instructions.)
	Hole in filter element.
	Air leak on suction line
	Pump impeller vanes blocked
Low Water Flow	Other restrictions include (pool suction cleaners) resistance from other inline equipment such as strainers.
	Pump not primed.
	Check strainer baskets for debris.
	Check for air leaks on suction side.
	Check for restrictions or blockage in either suction or return lines.
	System filter needs to be cleaned or replaced.
	Pool water level too low.
	Pump not primed.
	Pump impeller vanes blocked.
Short Filter Cycles	Strainer baskets not being used and/or not being cleaned regularly.
	Pump operating under speed (low voltage).
	Presence of algae, check disinfectant content.
	Check pH and total alkalinity.
High Pressure on Start Up	Pump output exceeds design flow rate of filter, check pump performance.
	Ineffective cleaning, check conditions of sediment chamber.
	Small eyeball fitting in Pool/Spa.
	Partially closed valve on return line.
	Too large of pump, check selection.

WARRANTY

MultiCyclone is covered by a 3 year warranty. Commercial installations are covered by a 1 year warranty.

Please refer to Waterco's warranty terms and conditions.



Note: An electronic copy of the Waterco warranty booklet is available at the Waterco website www.waterco.com or by scanning the QR code.

French

Table des

Matières

RÈGLES GÉNÉRALES DE SÉCURITÉ	15
MULTICYCLONE	16
COURBE DE PERTE DE HAUTEUR MANOMÉTRIQUE DU MULTICYCLONE	18
INSTALLATION	18
PROCÉDURE DE DÉMARRAGE	22
ENTRETIEN DU FILTRE DU MULTICYCLONE	23
PRESSION D'EAU INSUFFISANTE	24
GUIDE D'ENTRETIEN GÉNÉRAL	25
PRÉPARATIFS POUR L'HIVER	26
GUIDE DE RECHERCHE DES PANNES	27
GARANTIE	27

RÈGLES GÉNÉRALES DE SÉCURITÉ

1. Les machines et l'équipement mentionnés dans le présent manuel sont spécifiquement conçus pour préfiltrer de l'eau des piscines et assurer sa recirculation.
2. Ils sont conçus pour fonctionner avec une eau propre à une température maximum de **45 degrés Celsius (113 degrés Fahrenheit)**.
3. L'installation doit être réalisée conformément aux consignes de sécurité en vigueur pour les piscines, **notamment à celles définies par la norme HD 60364-7-702**, ainsi que les consignes propres à chaque installation.
4. Les règles applicables en matière de prévention des accidents doivent être scrupuleusement observées.
5. Toute modification de la pompe requiert **l'accord préalable du fabricant**. L'emploi de pièces de rechange et d'accessoires d'origine autorisés par le constructeur garantit une sécurité de haut niveau. Le fabricant décline toute responsabilité en cas de dégâts ou blessures **occasionnés par l'emploi de pièces de rechange et d'accessoires qui ne sont pas autorisés**.
6. Pendant le fonctionnement de la pompe, certaines pièces sont soumises à des tensions électriques dangereuses. Les travaux sur chaque pompe ou sur l'équipement qui y est relié doivent uniquement être effectués après **les avoir débranchés et après avoir coupé l'alimentation secteur et le système de mise en marche**.
7. **L'utilisateur doit s'assurer que l'installation et l'entretien sont confiés à des personnes qualifiées et autorisées**, ainsi que ces personnes ont soigneusement lu les consignes d'installation et d'entretien au préalable.
8. L'utilisation en toute sécurité de la pompe et des autres équipements est uniquement garantie si les consignes d'installation et d'entretien sont respectées à la lettre.
9. Les valeurs limites énoncées dans le tableau indiquant les spécifications techniques **ne doivent en aucun cas être dépassées**.
10. En cas de défaillance ou de panne, contactez l'assistance technique du fabricant ou le représentant agréé le plus proche.
11. Si le cordon d'alimentation est endommagé, il doit être remplacé par un représentant agréé pour entretenir la pompe.
12. L'appareil n'est pas conçu pour être utilisé par des personnes (y compris les enfants) qui présentent des capacités physiques, sensorielles ou mentales réduites, qui manquent d'expérience et de connaissances, excepté si elles sont supervisées ou conseillées sur l'utilisation de l'appareil par une personne responsable de leur sécurité et qu'elles ont conscience des risques encourus.
13. L'appareil n'est pas conçu pour être utilisé par de jeunes enfants. Les jeunes enfants doivent être surveillés afin de s'assurer qu'ils ne jouent pas avec l'appareil.
14. Tous les travaux de câblage (électrique) doivent être réalisés par des électriciens agréés et l'installation doit être conforme aux codes applicables sur votre territoire.
15. S'il est prévu d'installer la pompe et/ou d'autres équipements dans une piscine ou un bassin, il est obligatoire d'installer un disjoncteur différentiel avec courant de déclenchement nominal maximum de 30 mA.
16. Débranchez toujours l'appareil de l'alimentation avant de le monter, de le démonter ou de le nettoyer.
17. En cas de gel, l'eau doit être entièrement évacuée du boîtier de la pompe en ouvrant les bouchons de purge situés sur ledit boîtier.

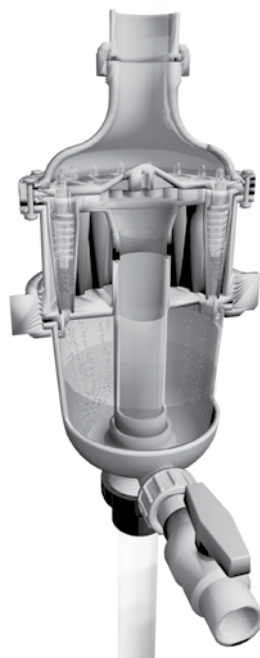
Pour toute utilisation en Europe:

1. Cet appareil n'est pas conçu pour être utilisé par des personnes (y compris les enfants de 8 ans et plus) qui présentent des capacités physiques, sensorielles ou mentales réduites, qui manquent d'expérience et de connaissances, excepté si elles sont supervisées ou conseillées sur l'utilisation de l'appareil par une personne responsable de leur sécurité.
2. Les enfants doivent être surveillés afin de s'assurer qu'ils ne jouent pas avec l'appareil.
3. Les enfants ne doivent pas nettoyer et entretenir l'appareil sans supervision.

MULTICYCLONE

Le MultiCyclone est un appareil de préfiltration exceptionnel qui peut vous permettre d'économiser en eau et de réduire l'entretien du filtre de votre piscine au minimum. Reposant sur les principes de la filtration centrifuge de l'eau, le MultiCyclone filtre jusqu'à 80 % des impuretés d'une piscine avant qu'elles atteignent le filtre de la piscine et nécessite seulement 15 litres (4 gallons) d'eau pour être nettoyé.

- Entretien du filtre réduit au minimum et économies d'eau.
- Pas de masse filtrante à nettoyer ou remplacer.
- Hydrocyclones multiples.
- Compatible avec les installations neuves comme existantes.



Filtration centrifuge de l'eau

L'eau entrante pénètre indirectement dans ses multiples hydrocyclones, générant un effet centrifuge puissant. Environ 80 % des impuretés entrantes descendent en spirales dans le collecteur de sédiments transparent. L'eau sortante est alors filtrée par le système de filtration et acheminée vers la piscine.

Simple à entretenir

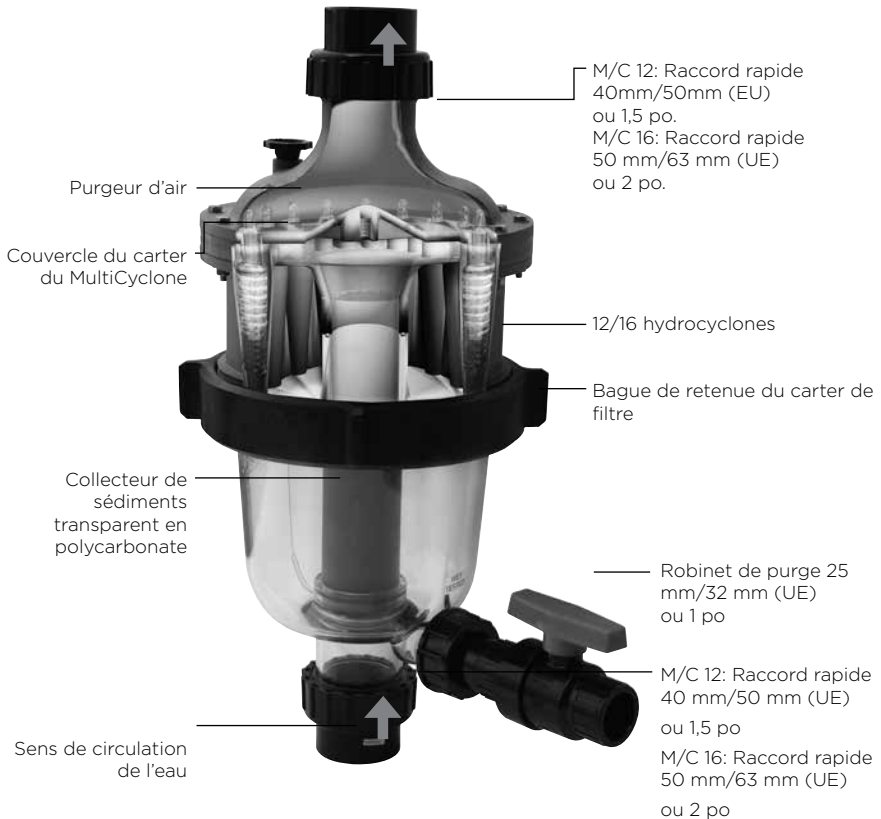
Le collecteur de sédiments du MultiCyclone se nettoie facilement en ouvrant le robinet de purge. Seuls 15 litres (4 gallons) d'eau sont alors évacués.

Fréquence de rétrolavage du filtre à sable réduite au minimum

L'installation d'un MultiCyclone comme préfiltre de filtre à sable peut réduire sa fréquence de rétrolavage à un seul par an, permettant d'économiser jusqu'à 7 000 litres (1 850 gallons) d'eau par an pour une piscine résidentielle moyenne.

Nettoyage et remplacement de la cartouche du filtre réduits au minimum

L'installation d'un MultiCyclone comme préfiltre de filtre à cartouche peut réduire le nettoyage et le remplacement de la cartouche du filtre à un seul par saison, voire à un seul par an selon la taille du filtre à cartouche.

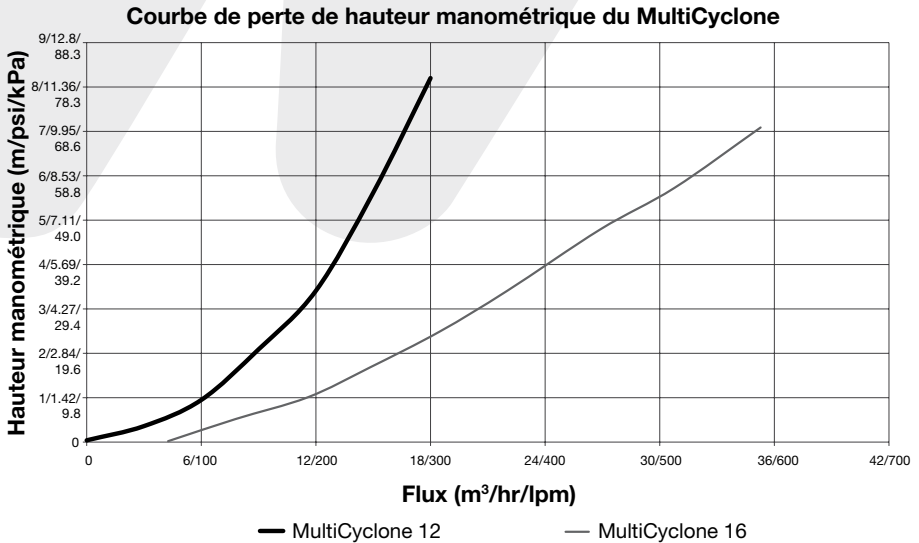


Il est facile de contrôler l'accumulation de sédiments à travers le collecteur de sédiments transparent MultiCyclone. Le collecteur de sédiments du MultiCyclone se nettoie en ouvrant simplement le robinet de purge. Seuls 15 litres (4 gallons) d'eau se déversent alors pour évacuer les sédiments du MultiCyclone.

Remarque: le mouvement centrifuge du MultiCyclone a été conçu pour filtrer les sédiments qui sont plus lourds que l'eau. Les saletés qui flottent ne peuvent pas être filtrées et évacuées par filtration centrifuge.

Modèle	Dimensions des raccords	Débit min.	Débit max.	Pression max.
MultiCyclone 12	raccord rapide 40 mm/50 mm (UE) ou 1,5 po	40 l/min; 2,4 m ³ /h ; 11 gal/min	300 l/min; 18 m ³ /h ; 79 gal/min	350 kPa (50 psi)
MultiCyclone 16	raccord rapide 50 mm/63 mm (UE) ou 2 po	50 l/min ; 3 m ³ /h ; 13 gal/min	500 l/min; 30 m ³ /h ; 132 gal/min	350 kPa (50 psi)

COURBE DE PERTE DE HAUTEUR MANOMÉTRIQUE DU MULTICYCLONE



INSTALLATION

Veillez à respecter le Code de plomberie applicable sur votre territoire.

Veillez à respecter toutes les dispositions relatives à la gestion des eaux usées qui sont prévues par la réglementation locale, régionale ou nationale. N'évacuez pas l'eau à un endroit où elle pourrait causer une inondation ou des dégâts.

Si la pression de l'eau entrante est supérieure à la pression de service maximale de 350 kPa/3,5 bar/50 psi, vous devez installer un régulateur de pression (RP) en amont de l'entrée du filtre..

Le RP doit être réglé à 90 % de la pression de service maximale du collecteur.

Si le débit d'eau entrante est inférieur au débit minimal requis par le filtre, cela affectera l'efficacité de la filtration. Dans ce cas, veuillez consulter Waterco.

Installation standard

1. Placez le filtre le plus près possible de la piscine ou de la baignoire à remous.
2. Placez le filtre à un endroit où il ne risque pas d'être immergé et à l'écart des puisards, des gouttières, des cavités du jardin, etc.
3. Placez le filtre de telle sorte que les raccords de plomberie, le robinet de purge et le purgeur d'air se situent à des endroits pratiques et accessibles pour toute intervention, tout entretien et toute préparation pour l'hiver.
4. Veillez à ce que l'étiquette de conformité soit visible de l'avant afin d'être facilement identifiable.
5. Placez le filtre sur une dalle horizontale en béton, sur un sol très ferme ou sur une surface comparable. Vérifiez que le sol ne risque pas de s'affaisser afin d'éviter toute tension au niveau de la plomberie qui y est raccordée.
6. Vérifiez que le filtre ne bouge pas lorsque le robinet de purge est en fonctionnement.
7. Prévoyez un dégagement suffisant tout autour du filtre afin de pouvoir inspecter l'intégralité de l'installation visuellement.

*REMARQUE : IL FAUT PRÉVOIR UNE DÉRIVATION POUR LES FILTRES À DIATOMÉES.



Installation standard avec un filtre à sable



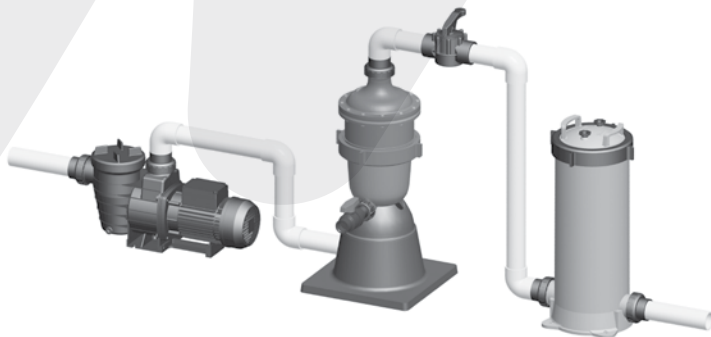
Installation standard avec un filtre à cartouche



Installation standard avec un filtre à diatomées

Support de montage disponible en option

Un support de montage est également proposé en option au cas où vous ne pouvez pas installer le MultiCyclone juste au-dessus de la pompe de votre piscine.



Installation avec le support de montage facultatif

Plomberie

1. Vérifiez que la pression de l'eau entrante est conforme à la pression de service recommandée pour le filtre et qu'un régulateur de pression est bien en place si vous utilisez de l'eau provenant du réseau de distribution ou d'une pompe à haute pression.
2. Veillez à installer un clapet de pied ou un clapet antiretour si la pompe est installée 500 mm ou 20 pouces au-dessus du niveau de l'eau.
3. Si le filtre est implanté au-dessous du niveau de l'eau ou est raccordé au réseau de distribution d'eau, il convient d'installer des valves d'isolement au niveau de l'entrée et de la sortie du filtre. Cela empêchera l'eau de circuler durant les opérations d'entretien d'usage.
4. Faites en sorte que la longueur du tuyau et le nombre de raccords soient minimaux afin de réduire le débit d'eau le moins possible.
5. Vérifiez que tous les raccords de plomberie sont collés et solidement serrés afin d'éviter toute fuite.
6. Veillez à ne pas appliquer une trop grande quantité de solvants sur les raccords, car ils pourraient pénétrer dans les joints toriques et créer des problèmes de fuites.
7. Évitez de serrer excessivement les raccords ou adaptateurs.

Vissez les demi-raccords unions à boisseau et les abouts fournis à l'entrée et à la sortie avant de coller le tuyau en PVC rigide sur le filtre.

⚠ AVERTISSEMENT

Remarque: n'utilisez pas d'adhésif liquide ou de ruban pour joints filetés sur les filetages de l'entrée et de la sortie du MultiCyclone ou sur les filetages de raccords unions à boisseau que vous devez raccorder.

Utilisez exclusivement la colle recommandée pour raccorder des tuyaux et raccords

Coupez et installez le tuyau et les raccords sur le MultiCyclone et la pompe. **Consultez** le guide d'installation de la pompe et suivez à la lettre les procédures prévues pour la plomberie de la pompe. to Pump Installation Manual for correct pump plumbing procedures.

Mieux vaut installer tous les tuyaux et raccords coupés sur le système de filtration **avant** de les coller. Ainsi, vous pourrez vérifier que le système **est correctement aligné**.

Collez le tuyau et les raccords sur la pompe, ainsi que le filtre et la conduite de retour vers la piscine. Puis, **laissez** la colle sécher **pendant 24 heures** avant de mettre le système en service.

Raccords de plomberie

1. Veillez à installer un clapet de pied ou un clapet antiretour si la pompe est installée 500 mm ou 20 pouces au-dessus du niveau de l'eau.
2. Si le filtre est implanté au-dessous du niveau de l'eau ou est raccordé au réseau de distribution d'eau, il convient d'installer des valves d'isolement au niveau de l'entrée et de la sortie du filtre. Cela empêchera l'eau de circuler durant les opérations d'entretien d'usage.
3. Faites en sorte que la longueur du tuyau et le nombre de raccords soient minimaux afin de réduire le débit d'eau le moins possible.
4. Raccordez le tuyau sortant de la pompe à l'entrée du MultiCyclone.
5. Raccordez le tuyau sortant du MultiCyclone à l'élément de tuyauterie suivant du système de filtration.
6. Collez toute la plomberie aux raccords unions à boisseau en suivant les consignes du fabricant de la colle (solvant) et laissez sécher pendant 24 heures. Veillez à ne pas appliquer une trop grande quantité de colle (solvant) sur les raccords, car ils pourraient pénétrer dans les joints toriques et créer des problèmes de fuites.

Remarque: Waterco recommande d'installer un robinet d'arrêt en aval du MultiCyclone, sur la conduite de retour vers la piscine afin de favoriser l'évacuation des saletés collectées. Veuillez consulter le chapitre « Pression d'eau insuffisante » pour en savoir plus.

7. Raccordez le tuyau d'évacuation. Collez la tuyauterie partant du robinet de purge des sédiments à un tuyau d'évacuation, à une conduite pour eaux usées ou un système de drainage.
8. Allumez la pompe de la piscine. N'oubliez pas de vérifier qu'il n'y a pas de fuites au niveau des raccords. Au besoin, serrez-les à la main.

PROCÉDURE DE DÉMARRAGE

Le MultiCyclone est un système de filtration avancé hautement efficace. Il fonctionnera pendant des années sans tomber en panne si vous respectez les procédures d'entretien décrites ci-dessous.

Procédez de la même façon pour démarrer un système de filtration neuf ou fraîchement nettoyé.

1. Veillez à ce que le MultiCyclone soit correctement raccordé à la plomberie.
2. Vérifiez que tous les robinets installés en amont et en aval du MultiCyclone sont ouverts.
3. Desserrez le purgeur d'air situé en haut du filtre MultiCyclone.
4. Amorcez la pompe de votre piscine. (Pour ce faire, consultez le guide d'installation et d'utilisation de la pompe.)
5. Allumez la pompe de la piscine et laissez la pompe tourner jusqu'à ce que tout l'air ait été évacué du MultiCyclone. De l'eau s'écoulera du purgeur d'air.
6. Resserrez le purgeur d'air.
7. Le filtre est amorcé et prêt à fonctionner.

Remarque : il arrive que vous deviez réaliser cette opération plusieurs fois avant que le filtre soit amorcé et réellement prêt à fonctionner.

AVERTISSEMENT

Ne vous tenez pas au-dessus du MultiCyclone pendant que vous réglez le purgeur d'air pour évacuer l'air du système.

Vous pourriez être blessé si le purgeur d'air se desserrait.

ENTRETIEN DU FILTRE DU MULTICYCLONE

L'entretien du filtre MultiCyclone dépend des conditions décrites ci-dessous:

1. Le collecteur de sédiments est à moitié rempli de sédiments. Il est facile de contrôler l'accumulation de sédiments à travers le collecteur de sédiments transparent MultiCyclone. Le MultiCyclone est facile à nettoyer : il suffit d'ouvrir le robinet de purge. Seuls 15 litres (4 gallons) d'eau se déversent alors pour évacuer les sédiments du MultiCyclone.

Purge du collecteur de sédiments

Avec la pompe en fonctionnement:

Lorsque la pompe à eau fonctionne, il vous suffit d'ouvrir le robinet de purge jusqu'à ce que les sédiments soient évacués. Vous pourrez le constater visuellement à travers le collecteur de sédiments transparent. Fermez le robinet de purge dès que les sédiments ont été évacués.

Avec la pompe à l'arrêt:

Sinon, éteignez la pompe. Ouvrez le purgeur d'air, puis le robinet de purge. L'eau s'écoulera par le MultiCyclone, évacuant la majeure partie des saletés du collecteur de sédiments. Ensuite, fermez le purgeur d'air et allumez la pompe. L'agitation de l'eau entrant dans le collecteur de sédiments évacuera le reste de sédiments. Dès que le collecteur de sédiments est propre, fermez le robinet de purge et démarrez la pompe. Puis, fermez le purgeur d'air dès que de l'eau s'écoule au travers.

PRESSION D'EAU INSUFFISANTE

Il arrive que le débit d'eau de la pompe soit insuffisant pour évacuer les sédiments du collecteur de sédiments. Waterco recommande alors d'installer un robinet à deux voies en aval du MultiCyclone, sur la conduite de retour de l'eau de piscine.

Le robinet à deux voies permet d'augmenter le débit de l'eau provenant du MultiCyclone, augmentant l'agitation de l'eau qui passe à travers le collecteur de sédiments et améliorant ainsi son action purgative.

Si la pompe est en fonctionnement, ouvrez le robinet de purge, puis fermez le robinet à deux voies partiellement en augmentant suffisamment le débit d'eau pour évacuer les sédiments présents dans le collecteur de sédiments. Dès que le collecteur de sédiments est propre, fermez le robinet de purge.

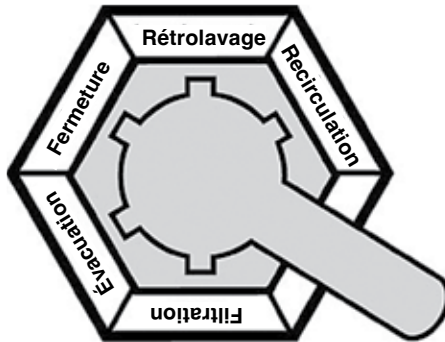


Installation avec filtre à cartouche et robinet d'arrêt à deux voies

⚠ AVERTISSEMENT

Ne fermez pas le robinet à deux voies avant d'avoir ouvert le robinet de purge et ne fermez pas le robinet de purge lorsque le robinet à deux voies est partiellement ou complètement fermé. Les deux robinets ne doivent jamais être complètement ou partiellement fermés en même temps.

Si vous installez le MultiCyclone comme préfiltre d'un filtre à sable, vous pouvez couper l'eau circulant jusqu'au filtre à sable à l'aide du robinet multivoie du filtre à sable.*



***REMARQUE:** cette position n'existe pas sur les robinets à 4 voies.

GUIDE D'ENTRETIEN GÉNÉRAL

Veuillez suivre les procédures décrites ci-dessous pour que le MultiCyclone dure aussi longtemps que possible:

1. Contrôlez l'accumulation de sédiments à travers le collecteur de sédiments transparent MultiCyclone. Nettoyez le collecteur de sédiments lorsqu'il est à moitié plein de sédiments.
2. Maintenez un équilibre chimique adapté dans l'eau de votre piscine ou baignoire à remous. L'équilibre chimique de l'eau se définit par son pH, son alcalinité totale, sa dureté calcique et sa température. L'eau doit présenter les propriétés suivantes en toutes circonstances:

NIVEAU DE PH	: ENTRE 7,2 ET 7,8.
ALCALINITÉ TOTALE	: ENTRE 80 ET 150 ppm.
DURETÉ CALCIQUE	: ENTRE 150 ET 300 ppm.

En plus de respecter les seuils définis ci-dessus, l'indice de saturation de Langelier doit également être compris entre -0,2 et +0,2 en toutes circonstances.

Remarque: il existe des trousse de test conçues pour vous permettre de tester l'eau vous-même. Sinon, vous pouvez apporter un échantillon d'eau à un magasin professionnel spécialisé dans les piscines et les baignoires à remous.

3. Vous devez contrôler l'équilibre de l'eau provenant du réseau de distribution ou du réseau rural. La saturation (durée de vie) de l'eau provenant d'un réseau de distribution ou d'un forage (réseau rural) varie en fonction de la qualité de l'eau.
4. Nettoyez régulièrement la crépine de la pompe et les paniers flottants afin de préserver la pompe et le filtre et de permettre au système de fonctionner correctement.
5. Remplacez le manomètre s'il affiche des valeurs incorrectes.

PRÉPARATIFS POUR L'HIVER

Dans les climats froids (températures inférieures au point de gel), vous devez systématiquement suivre des procédures adaptées pour protéger votre filtre.

1. Éteignez la pompe/fermez le robinet d'admission.
2. Ouvrez le purgeur d'air et le robinet de purge afin que l'eau s'échappe du MultiCyclone.
 - a. Concernant le filtre à sable, placez la poignée du robinet multivoie en position hivernale (entre « filtrer » et « évacuer »)..
 - b. Concernant le filtre à cartouche, ouvrez le purgeur d'air afin que l'air puisse s'échapper par tous les orifices.
3. Retirez les éventuels bouchons de purge de la pompe.
4. Videz la tuyauterie de son eau.

GUIDE DE RECHERCHE DES PANNES

Symptômes	Problèmes/solutions possibles
L'eau n'est pas transparente	Le niveau de désinfectant est insuffisant.
	L'équilibre chimique de l'eau de la piscine est mauvais.
	Il y a un grand nombre de baigneurs ou d'impuretés.
	Le débit est mauvais.
	Les périodes de filtration ne sont pas assez longues. (Augmentez la durée de fonctionnement de la pompe.)
	Le filtre est sale. (Nettoyez-le en suivant les consignes.)
	La cartouche filtrante est percée.
	Il y a une fuite d'air au niveau de la conduite d'aspiration.
	Les aubes de la roue centrifuge sont bloquées.
Le débit d'eau est faible	D'autres éléments gênants (aspirateurs de piscine) peuvent également obliger d'autres équipements du système à résister, par exemple les crépines.
	La pompe n'est pas amorcée.
	Vérifiez que les crépines ne sont pas sales.
	Vérifiez qu'il n'y a pas de fuites d'air côté aspiration.
	Vérifiez qu'il n'y a pas d'éléments gênants ou d'obstructions dans les conduites d'aspiration ou de retour.
	Nettoyez ou remplacez le filtre du système.
	Le niveau d'eau de la piscine est trop faible.
	La pompe n'est pas amorcée.
Les cycles de filtration sont courts	Les aubes de la roue centrifuge sont bloquées.
	Les crépines ne sont pas utilisées ou nettoyées régulièrement.
	La pompe est en sous-régime (basse tension).
	Il y a des algues. Vérifiez le niveau de désinfectant.
La pression est élevée au démarrage	Vérifiez le pH et l'alcalinité totale.
	L'eau sortant de la pompe circule à un débit supérieur à celui prévu pour le filtre. Vérifiez que la pompe fonctionne correctement.
	Le nettoyage n'a pas fonctionné. Vérifiez l'état du collecteur de sédiments.
	Il y a un petit raccord à œillet dans la piscine/baignoire à remous.
	Fermeture partielle de la valve sur la conduite de retour.
	Le système est surdimensionné pour la pompe : vérifiez ce que vous avez choisi.

GARANTIE

Le MultiCyclone est garanti 3 ans. Les installations destinées à un usage commercial sont couvertes par une garantie de 1 an.

Pour en savoir plus, veuillez consulter les conditions générales de la garantie Waterco.



Remarque : le contrat de garantie Waterco est consultable sur le site Web de Waterco www.waterco.com ou en scannant le code QR ci-contre.

Inhaltsverzeichnis

ALLGEMEINE SICHERHEITSVORSCHRIFTEN	29
MULTICYCLONE	30
MULTICYCLONE GESAMT-DRUCKABFALLKURVE	32
INSTALLATION	32
INBETRIEBNAHME	36
WARTUNG DES MULTICYCLONE-FILTERS	37
UNZUREICHENDER WASSERDRUCK	38
ALLGEMEINE WARTUNGSANLEITUNG	39
VORBEREITUNG FÜR WINTER	40
FEHLERBEHEBUNG	41
GARANTIE	41

ALLGEMEINE SICHERHEITSVORSCHRIFTEN

1. Die in diesem Handbuch erwähnten Maschinen und Geräte sind speziell für die Vorfiltration und Rezirkulation von Wasser in Schwimmbecken konzipiert.
2. Sie sind für den Betrieb mit sauberem Wasser bei einer Temperatur von nicht mehr als **45 Grad Celsius ausgelegt**.
3. Die Installation sollte in Übereinstimmung mit den Sicherheitsanweisungen für Schwimmbäder, **insbesondere der Norm HD 60364-7-702**, und den spezifischen Anweisungen für die jeweilige Einrichtung durchgeführt werden.
4. Die Vorschriften zur Unfallverhütung müssen sorgfältig befolgt werden.
5. Jeglicher Umbau der Pumpe bedarf der **vorherigen Zustimmung des Herstellers**. Originalersatzteile und vom Hersteller zugelassenes Zubehör gewährleisten ein hohes Maß an Sicherheit. Der Hersteller der Pumpe übernimmt keine Haftung für Schäden und Verletzungen, die durch **nicht autorisierte Ersatz- und Zubehörteile verursacht werden**.
6. Während des Betriebs sind einige Teile der Pumpe und andere Geräte gefährlicher elektrischer Spannung ausgesetzt. Arbeiten an der Pumpe oder an den daran angeschlossenen Geräten dürfen nur nach dem **Trennen vom Netz und nach dem Trennen der Startvorrichtung durchgeführt werden**.
7. Der Anwender hat dafür zu sorgen, dass Montage- und Wartungsarbeiten von **qualifiziertem Fachpersonal** durchgeführt werden und dass diese Personen zuvor die Wartungs- und Installationsanweisungen sorgfältig gelesen haben.
8. Die Betriebssicherheit der Pumpe und anderer Geräte ist nur dann gewährleistet, wenn die Installations- und Wartungsanweisungen korrekt befolgt werden.
9. Die in den technischen Daten angegebenen Grenzwerte **dürfen unter keinen Umständen überschritten werden**.
10. Wenden Sie sich im Falle eines fehlerhaften Betriebs oder einer Störung an die technische Kundendienstabteilung des Herstellers oder an den nächstgelegenen Fachhändler.
11. Wenn das Netzkabel beschädigt ist, muss es durch eine autorisierte Servicestelle ersetzt werden.
12. Das Gerät ist nicht für den Gebrauch durch Personen (einschließlich Kinder) mit eingeschränkter körperlicher, sensorischer oder geistiger Leistungsfähigkeit oder mangelnder Erfahrung und Kenntnis bestimmt, es sei denn, sie werden von einer Person, die für ihre Sicherheit verantwortlich ist, beaufsichtigt oder in die Benutzung des Geräts eingewiesen und sie verstehen die damit zusammenhängenden Gefahren.
13. Das Gerät ist nicht für den Gebrauch durch Kinder bestimmt. Kinder sollten beaufsichtigt werden, um sicherzustellen, dass sie nicht mit dem Gerät spielen.
14. Alle Verdrahtungsarbeiten (elektrische Arbeiten) müssen von einer zugelassenen Elektrofachkraft in Übereinstimmung mit den örtlichen Vorschriften ausgeführt werden.
15. Wenn die Pumpe oder ein anderes Gerät für ein Schwimmbecken oder einen Teich installiert werden soll, ist es zwingend erforderlich, dass ein Fehlerstromschutzschalter mit einem Bemessungsauslösestrom von nicht mehr als 30 mA installiert wird.
16. Trennen Sie das Gerät vor der Montage, Demontage oder der Reinigung immer von den Energiequellen.
17. Bei Frost muss das Wasser durch Öffnen der Ablassstopfen am Pumpengehäuse vollständig aus der Pumpe abgelassen werden.

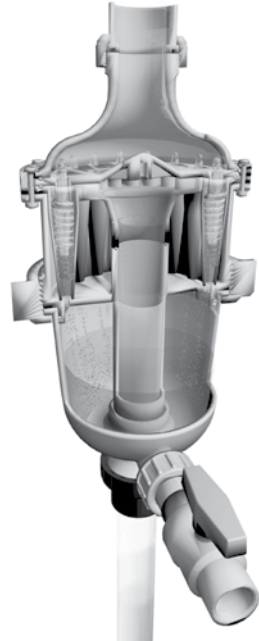
Zum Einsatz in Europa:

1. Dieses Gerät ist nicht für den Gebrauch durch Personen (einschließlich Kinder von 8 Jahren und älter) mit eingeschränkter körperlicher, sensorischer oder geistiger Leistungsfähigkeit oder mangelnder Erfahrung und Kenntnis bestimmt, es sei denn, sie werden von einer Person, die für ihre Sicherheit verantwortlich ist, beaufsichtigt oder in die Benutzung des Geräts eingewiesen.
2. Kinder sollten beaufsichtigt werden, um sicherzustellen, dass sie nicht mit dem Gerät spielen.
3. Kinder sollten beim Gebrauch und der Wartung nicht ohne Aufsicht bleiben.

MULTICYCLONE

MultiCyclone ist ein intelligentes Vorfiltersystem, das Wasser sparen und die Wartung des Schwimmbeckensfilters minimieren kann. MultiCyclone baut auf dem Prinzip der Zentrifugalfiltration von Wasser auf und filtert bis zu 80% des Schmutzes im Beckenwasser aus, bevor dieses das Schwimmbeckenfilter erreicht, und benötigt nur 15 Liter Wasser zur Reinigung.

- Minimaler Wartungsbedarf und spart Wasser.
- Kein Filtermedium, das gereinigt oder ausgetauscht werden muss.
- Mehrere Hydrozyklone.
- Für neue und bestehende Anlagen geeignet.



Zentrifugale Wasserfiltration

Das einströmende Wasser tritt tangential in mehrere Hydrozyklone ein und erzeugt eine starke Fliehkraftwirkung. Rund 80% der ankommenden Schmutzbelastung wird in einer Spirale nach unten in die transparente Sedimentkammer geleitet. Das am Ausgang austretende Wasser wird zur Endreinigung im Filtersystem des Beckens geleitet.

Einfache Wartung

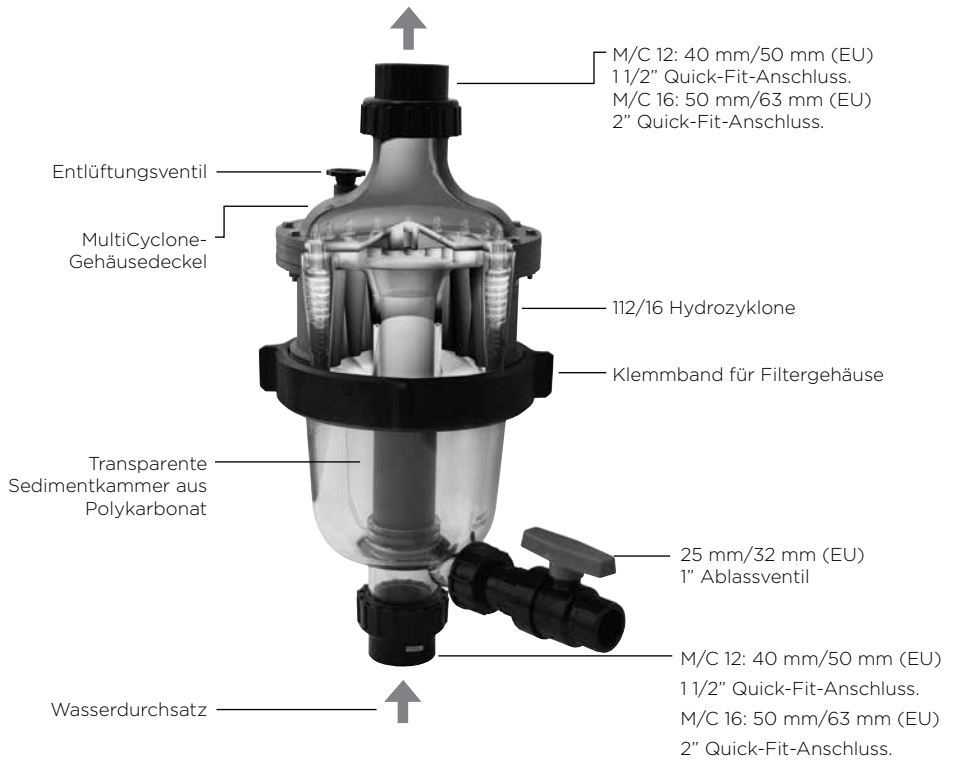
Die Sedimentkammer des MultiCyclone lässt sich durch Öffnen des Ablassventils mühelos reinigen. Dabei werden nur 15 Liter Wasser abgelassen.

Weniger häufiges Rückspülen des Medienfilters

Der Einbau eines MultiCyclone als Vorfilter für ein Sandfilter kann dessen Rückspülhäufigkeit auf einmal pro Jahr reduzieren. So werden bei einem durchschnittlich großen privaten Schwimmbad jährlich bis zu 7000 Liter Wasser eingespart.

Seltene Reinigung und Austausch der Filterpatrone

Der Einbau eines MultiCyclone als Vorfilter zu einem Patronenfilter kann die Notwendigkeit der Reinigung und des Austauschs der Filterpatrone auf einmal pro Badesaison und sogar einmal pro Jahr, je nach Größe des Patronenfilters, reduzieren.

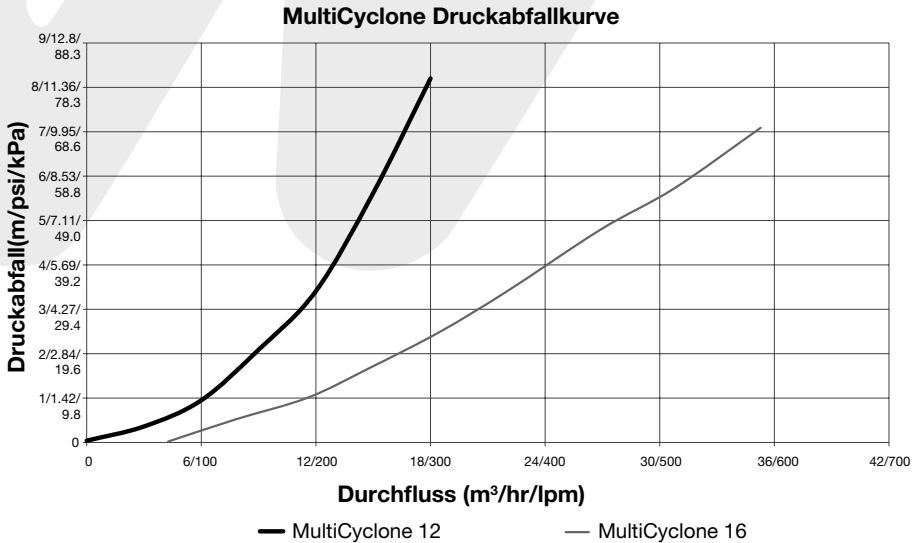


Die Ablagerung der Sedimente kann visuell über die transparente Sedimentkammer des MultiCyclone überwacht werden. Die MultiCyclone Sedimentkammer lässt sich durch Öffnen des Ablasventils mühelos reinigen. Zum Ausspülen des Sediments aus dem MultiCyclone werden nur 15 Liter Wasser abgelassen.

Hinweis: Hinweis: Der Zentrifugalbereich des MultiCyclone ist dafür vorgesehen, Sediment auszufiltern, das schwerer als Wasser ist; schwebende Verunreinigungen können mithilfe des Zentrifugalprinzips nicht ausgefiltert werden.

Modell	Anschlüsse	Min. Durchfluss	Max. Durchfluss	Max. Druck
MultiCyclone 12	40 mm/50 mm (EU)/ 1 1/2" Quick-Fit-Anschluss	40 l/min, 2,4 m ³ /h	300 l/min, 18 m ³ /h	350 kPa (50psi)
MultiCyclone 16	50 mm/63 mm (EU)/ 2" Quick-Fit-Anschluss	50 l/min, 3 m ³ /h	500 l/min, 30 m ³ /h	350 kPa (50psi)

MULTICYCLONE PLUS GESAMT-DRUCKABFALLKURVE



INSTALLATION

Achten Sie darauf, die örtlichen Vorschriften für Wasserinstallationen einzuhalten.

Achten Sie darauf, dass alle Einrichtungen zur Abwasserbeseitigung den örtlichen, regionalen oder nationalen Vorschriften entsprechen. Leiten Sie kein Abwasser dorthin, wo es Überschwemmungen oder Schäden verursachen könnte.

Wenn der ankommende Wasserdruck höher als der maximale Betriebsdruck von 350 kPa/3,5 bar/50 psi ist, muss vor dem Einlass des Filters ein Druckregelventil eingefügt werden.

Das Druckregelventil sollte auf einen Wert von 90% des maximalen Betriebsdrucks des Behälters eingestellt werden.

Falls der ankommende Wasserdurchsatz niedriger ist als der erforderliche Mindestdurchsatz des Filters, wird die Filterwirkung beeinträchtigt. Wenden Sie sich in diesem Fall bitte an Waterco.

Typische Installation

1. Das Filter möglichst nah am Schwimmbecken/Pool positionieren.
2. Filter vor Überschwemmungen sicher, d. h. fern von Gruben, Dachrinnen, Bodensenken usw. aufstellen.
3. Das Filter so aufstellen, dass Rohranschlüsse, Ablassventil und Entlüftungsventil für Betrieb, Wartung und Wintervorbereitung einfach und bequem zugänglich sind.
4. Das Typenschild muss für eine einfache Identifizierung nach vorne weisen.
5. Das Filter sollte auf einer ebenen Betonplatte oder sehr festem Untergrund oder Ähnlichem aufgestellt werden. Der Untergrund darf nicht nachgeben, um eine Belastung der angeschlossenen Rohrleitungen zu vermeiden.
6. Eine Bewegung des Filters bei offenem Ablassventil muss vermieden werden.
7. Für die Sichtprüfung der gesamten Anlage sollte ein ausreichender Freiraum um den Filter vorhanden sein.

*HINWEIS: BEI DE-FILTERN IST EINE UMGEHUNG ERFORDERLICH



Typische Installation bei einem Medienfilter



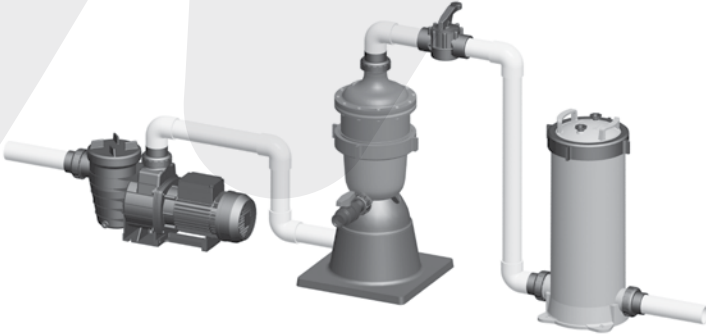
Typische Installation bei einem Filter mit Patrone



Typische Installation bei einem DE-Filter

Optionaler Ständer

Ein optionaler Ständer ist für die Fälle lieferbar, in denen der MultiCyclone nicht direkt über ihrer Schwimmbadpumpe installiert werden kann.



Installation mit optionalem Ständer

Rohrleitungen

1. Der ankommender Wasserdruck muss innerhalb des empfohlenen Arbeitsdruckbereichs des Filters liegen. Bei Verwendung von Leitungswasser oder einer Hochdruckpumpe Druckbegrenzerventil installieren.
2. Bei einer Montage der Pumpe 500 mm oberhalb des Wasserpegels muss ein Boden-/Rückschlagventil installiert werden.
3. Wird der Filter unterhalb des Wasserpegels installiert oder an Leitungswasser angeschlossen, müssen Trennventile am Einlass und Auslass des Filters montiert werden. Dadurch wird ein Wasserdurchfluss bei Routinewartungsarbeiten verhindert.
4. Rohrlängen und Anzahl der Fittings möglichst klein halten, um eine Beeinträchtigung des Wasserdurchflusses zu minimieren.
5. Die Anschlüsse aller Rohrleitungen müssen geklebt und abgedichtet werden, um Leckstellen zu vermeiden.
6. Klebstoffe auf Lösungsmittelbasis bei Fittings sparsam verwenden, um keine Probleme bei O-Ringen und Dichtungen zu verursachen.
7. Fittings oder Adapter nicht zu fest anziehen.

Die mitgelieferten Halbkuppelstücke und Anschlussleitungen in die Einlass- und Auslassanschlüsse schrauben, bevor die UPVC-Rohrleitungen mit dem Filter verklebt werden.

⚠ ACHTUNG

Hinweis:Kein flüssiges Dichtungsmittel oder Dichtungsband am Gewinde des Ein- oder Auslasses des MultiCyclone oder den Gewinden der Halbkuppelstücke verwenden.

Für Anschlussrohre und Fittings nur den empfohlenen Kleber verwenden

Rohre zuschneiden und Fittings an MultiCyclone und Pumpe befestigen. Zum korrekten Anschluss der Pumpenleitungen das Installationshandbuch der Pumpe **beachten**.

Es **empfiehlt sich**, alle zugeschnittenen Rohrleitungen und Fittings am Filtersystem zu befestigen, **bevor** sie verklebt werden. So wird gewährleistet, dass das System korrekt **ausgerichtet** ist.

Rohrleitungen und Fittings mit Pumpe, Filter und Rücklaufleitungen zum Becken verkleben und Kleber **24 Stunden lang aushärten lassen**, bevor die Anlage in Betrieb genommen wird.

Leitungsanschluss

1. Bei einer Montage der Pumpe 500 mm oberhalb des Wasserpegels muss ein Boden-/Rückschlagventil installiert werden.
2. Wird der Filter unterhalb des Wasserpegels installiert oder an Leitungswasser angeschlossen, müssen Trennventile am Einlass und Auslass des Filters montiert werden. Dadurch wird ein Wasserdurchfluss bei Routinewartungsarbeiten verhindert.
3. Rohrlängen und Anzahl der Fittings möglichst klein halten, um eine Beeinträchtigung des Wasserdurchflusses zu minimieren.
4. Ausgang der Pumpe mit dem Eingang des MultiCyclone verbinden.
5. Leitung vom Ausgang des MultiCyclone mit der nächsten Komponente der Filteranlage verbinden.
6. Alle Rohrleitungen mit den Halbkuppelstücken entsprechend den Anweisungen des Herstellers des Klebers (Lösungsmittels) verkleben und 24 Stunden aushärten lassen. Nicht zu viel Kleber (Lösungsmittel) auf die Fittings aufbringen, da er in die O-Ringe laufen und Dichtungsprobleme verursachen könnte.

Hinweis:Waterco empfiehlt, hinter dem MultiCyclone in der Rücklaufleitung zum Schwimmbecken ein Absperrventil zu installieren, um das Ausspülen der gesammelten Verunreinigungen zu unterstützen. Beachten Sie bitte den Punkt „Unzureichender Wasserdruck“.

7. Verbindung zur Abwasserleitung herstellen. Leitung vom Sedimentablassventil mit einer Abwasserleitung, einem Abfluss oder einem geeigneten Drainagebereich verkleben.
8. Schwimmbadpumpe einschalten. Kontrollieren, dass alle Verbindungen dicht sind. Bei Bedarf von Hand nachziehen.

INBETRIEBNAHME

Der MultiCyclone ist ein fortschrittliches und hocheffizientes Filtersystem, das für jahrelangen störungsfreien Betrieb ausgelegt ist, wenn die folgenden Wartungsmaßnahmen beachtet werden.

Der Start des Filtersystems im Neuzustand oder nach der Reinigung erfolgt in derselben Weise.

1. Kontrollieren, dass der MultiCyclone korrekt angeschlossen ist.
2. Kontrollieren, dass alle vor und hinter dem MultiCyclone installierten Ventile geöffnet sind.
3. Entlüftungsventil oben am MultiCyclone-Filter lösen.
4. Pumpe des Schwimmbeckens vorfüllen. (Installations- und Betriebshandbuch der Pumpe beachten).
5. Die Schwimmbeckenpumpe einschalten und laufen lassen, bis die gesamte Luft auf dem MultiCyclone entwichen ist. Am Entlüftungsventil tritt Wasser aus.
6. Entlüftungsventil wieder anziehen.
7. Der Filter ist nun gefüllt und betriebsbereit.

Hinweis: In einigen Fällen muss dies mehrmals erfolgen, bevor die Einheit gefüllt bleibt und betriebsbereit ist.

ACHTUNG

Beim Verstellen des Entlüftungsventils zum Entfernen der Luft aus dem System nicht über den MultiCyclone beugen.

Wenn sich das Entlüftungsventil löst, besteht Verletzungsgefahr.

WARTUNG DES MULTICYCLONE-FILTERS

Eine Wartung des MultiCyclone-Filters ist unter den folgenden Bedingungen erforderlich:

1. Die Sedimentkammer ist zur Hälfte mit Sediment gefüllt. Die Ablagerung der Sedimente kann visuell über die transparente Sedimentkammer des MultiCyclone überwacht werden. Der MultiCyclone lässt sich durch Öffnen des Ablassventils mühelos reinigen. Zum Ausspülen des Sediments aus dem MultiCyclone werden nur 15 Liter Wasser abgelassen.

Sedimentkammer ausspülen

With pump running:

Bei laufender Wasserpumpe einfach das Ablassventil der Sedimentkammer öffnen, bis das gesamte Sediment herausgespült worden ist. Dieser Vorgang lässt sich durch die transparente Sedimentkammer beobachten. Ablassventil schließen, wenn das gesamte Sediment herausgespült ist.

Bei stillstehender Pumpe:

Wahlweise Pumpe ausschalten. Entlüftungsventil und danach das Ablassventil öffnen. Der Wasserstand im MultiCyclone sinkt und der größte Teil der Verunreinigungen wird aus der Sedimentkammer gespült. Anschließend Entlüftungsventil schließen, Pumpe einschalten und die Turbulenz des in die Sedimentkammer strömenden Wasser spült das übrige Sediment heraus. Sobald die Sedimentkammer gereinigt ist, Ablassventil schließen, Pumpe einschalten und Entlüftungsventil schließen, sobald am Entlüftungsventil Wasser austritt.

UNZUREICHENDER WASSERDRUCK

Falls der Wasserdurchfluss aus der Pumpe nicht ausreicht, um das Sediment aus der Sedimentkammer zu spülen. Waterco empfiehlt, hinter dem MultiCyclone an der Rücklaufleitung des Schwimmbeckenwassers ein Zwei-Wege-Ventil zu installieren.

Dieses Zwei-Wege-Ventil dient dazu, den Wasserdurchfluss aus dem MultiCyclone zu drosseln und so die Turbulenz des Wassers in der Sedimentkammer zu erhöhen, um die Reinigung zu unterstützen.

Bei laufender Pumpe das Ablassventil öffnen und dann das Zwei-Wege-Ventil teilweise schließen, um den Wasserdurchfluss ausreichend zu drosseln, damit das Sediment aus der Sedimentkammer herausgespült wird. Wenn die Sedimentkammer sauber ist, das Zwei-Wege-Ventil öffnen und danach das Ablassventil schließen.

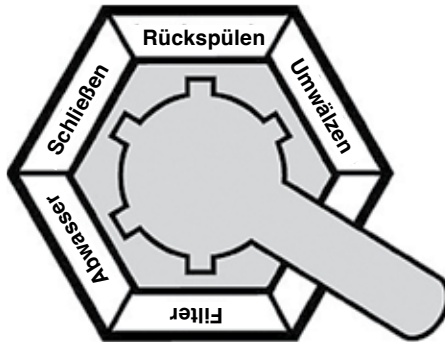


Anlage mit Patronenfilter mit Zwei-Wege-Absperrventil

⚠ ACHTUNG

Zwei-Wege-Ventil nicht vor dem Öffnen des Ablassventils öffnen und Ablassventil nicht schließen, während das Zwei-Wege-Ventil ganz oder teilweise geschlossen ist. Beide Ventile sollten niemals gleichzeitig ganz oder teilweise geschlossen sein.

Wenn der MultiCyclone als Vorfilter für ein Medienfilter installiert ist, kann der Wasserstrom zum Medienfilter über das Mehrwegeventil des Medienfilters abgesperrt werden.*



***HINWEIS:** Diese Position ist bei 4-Wegeventilen nicht vorhanden.

ALLGEMEINE WARTUNGSANLEITUNG

Zur Erzielung der maximalen Nutzungsdauer des MultiCyclone bitte die folgenden Punkte beachten:

1. Die Ablagerungen der Sedimente in der transparenten Sedimentkammer des MultiCyclone beobachten. Sedimentkammer mit angesammeltem Sediment reinigen, wenn sie halbvoll ist.
2. Korrektes chemisches Gleichgewicht bei Becken-/Poolwasser beibehalten. Das chemische Gleichgewicht beruht auf der Wechselbeziehung zwischen pH-Wert, Gesamthärte, Kalziumhärte und Wassertemperatur. Beim Wasser müssen stets die folgenden Werte beibehalten werden:

PH-WERT	: ZWISCHEN 7,2 UND 7,8.
GESAMTALKALITÄT	: ZWISCHEN 80 UND 150 ppm.
KALZIUMHÄRTE	: ZWISCHEN 150 UND 300 ppm.

Auch ist der Langelier-Sättigungsindex unter Einhaltung dieser Toleranzen auf einen Bereich zwischen -0,2 bis +0,2 einzustellen.

Hinweis: Mithilfe von Testkits Wasserqualität selbstständig überprüfen. Alternativ dazu Wasserprobe bei einem Fachhändler für Schwimmbadbedarf vorbeibringen.

3. Bei Leitungs- bzw. Grundwasser ist eine Kontrolle erforderlich. Die Sättigung (Lebensdauer des Filters) in Leitungs- bzw. Grundwasser hängt von der Wasserqualität ab.
4. Zur Vermeidung von Schäden an Pumpe und Filter und für einen ordnungsgemäßen Betrieb der Anlage Pumpensieb und Filterkörbe regelmäßig reinigen.
5. Druckmesser austauschen, wenn falsche Ablesungen festgestellt werden.

VORBEREITUNG FÜR WINTER

Um ihren Filter in kalten Klimazonen (Temperaturen unter dem Gefrierpunkt) zu schützen, sind die korrekten Vorgehensweisen zu beachten.

1. Pumpe abschalten und Einlassventil schließen.
2. Entlüftungsventil und danach das Ablassventil öffnen, damit das Wasser aus dem MultiCyclone abfließen kann.
 - a. Griff des Mehrwegeventils beim Medienfilter in die Winterposition bringen (zwischen „FILTER“ (Filtern) und „WASTE“ (Abwasser)).
 - b. Beim Patronenfilter das Entlüftungsventil öffnen. So kann Luft durch alle Anschlüsse strömen.
3. Eventuelle Ablaufstopfen aus der Pumpe entfernen.
4. Wasser aus den Rohrleitungen ablassen.

FEHLERBEHEBUNG

Symptome	Mögliche Probleme/Lösungen
Wasser ist nicht klar	Unzureichende Dosierung des Desinfektionsmittels.
	Falsche Wasserchemie.
	Starker Badebetrieb oder hohe Schmutzbelastung.
	Falscher Durchfluss.
	Unzureichende Laufzeiten. (Laufzeit der Pumpe erhöhen.)
	Filter ist verschmutzt. (Nach Anleitung reinigen.)
	Loch im Filterelement.
	Eindringende Luft in der Ansaugleitung
	Laufschaufeln der Pumpe blockiert
	Andere Ursachen für den verschlechterten Durchfluss können Bodenabsauger bzw. Siebkörbe sein.
Pumpe ist nicht mit Flüssigkeit gefüllt.	
Geringer Wasserdurchsatz	Siebkörbe auf Verschmutzung kontrollieren.
	Auf eindringende Luft in der Ansaugleitung kontrollieren.
	Ansaug- und Rücklaufleitungen auf Verengungen oder Blockierungen kontrollieren.
	Systemfilter muss gereinigt oder ausgetauscht werden.
	Wasserstand im Becken zu niedrig.
	Pumpe ist nicht mit Flüssigkeit gefüllt.
	Laufschaufeln der Pumpe blockiert.
	Keine Siebkörbe vorhanden bzw. nicht regelmäßig gereinigt.
Pumpe läuft mit zu niedriger Drehzahl (Unterspannung).	
Kurze Filterzyklen	Algenwachstum, Dosierung des Desinfektionsmittels kontrollieren.
	pH-Wert und Gesamthärte kontrollieren.
	Durchsatz am Pumpenausgang höher als Nenndurchsatz des Filters. Leistung der Pumpe kontrollieren.
	Unzureichende Reinigung, Zustand der Sedimentkammer kontrollieren.
Hoher Druck bei Inbetriebnahme	Zu kleine Einströmdüsen in Schwimmbecken/Pool.
	Teilweise geschlossenes Ventil in Rücklaufleitung.
	Zu große Pumpe, Dimensionierung überprüfen.

GARANTIE

Für den MultiCyclone gilt eine Garantie von 3 Jahren. Für gewerbliche Anlagen gilt eine Garantie von 1 Jahr.

Beachten Sie bitte die Waterco Garantiebedingungen.



Hinweis: Eine elektronische Ausgabe des Gewährleistungshefts von Waterco erhalten Sie auf der Waterco-Website www.waterco.com oder durch Scannen des QR-Codes.

Índice

NORMAS GENERALES DE SEGURIDAD	43
MULTICYCLONE	44
CURVA DE PÉRDIDA DE CARGA TOTAL DEL MULTICYCLONE	46
INSTALACIÓN	46
PROCEDIMIENTOS DE PUESTA EN MARCHA	50
MANTENIMIENTO DEL FILTRO MULTICYCLONE	51
PRESIÓN DE AGUA INSUFICIENTE	52
GUÍA GENERAL DE MANTENIMIENTO	53
HIBERNACIÓN	54
GUÍA DE SOLUCIÓN DE PROBLEMAS	55
GARANTÍA	55

NORMAS GENERALES DE SEGURIDAD

1. Las máquinas y equipos mencionados en el manual están diseñadas específicamente para la prefiltración y recirculación del agua en piscinas.
2. Están diseñadas para funcionar con agua limpia a una temperatura máxima de **45 °C (113 °F)**.
3. La instalación debe realizarse de acuerdo con las instrucciones de seguridad para piscinas, **en especial la norma HD 60364-7-702**, y las instrucciones específicas de cada instalación.
4. Las normas que se aplican para la prevención de accidentes deben seguirse cuidadosamente.
5. Toda modificación del filtro requiere el **consentimiento previo del fabricante**. Las piezas de recambio y los accesorios originales autorizados por el fabricante aseguran un alto nivel de seguridad. El fabricante de la bomba no asume ninguna responsabilidad por los daños y lesiones **causados por piezas de recambio y accesorios no autorizados**.
6. Durante el funcionamiento, algunas partes de la bomba y el resto de equipos están sujetos a una tensión eléctrica peligrosa. Solo pueden realizarse trabajos en una bomba o en los equipos conectados a ella después de **desconectarlos de la red eléctrica y después de desconectar el dispositivo de arranque**.
7. El usuario debe asegurarse de que las tareas de montaje y mantenimiento las realicen **personas cualificadas autorizadas** y de que estas personas han leído primero detenidamente las siguientes instrucciones de mantenimiento e instalación.
8. La seguridad operativa de la bomba y el resto de equipos solo se garantiza si se siguen correctamente las instrucciones de mantenimiento e instalación.
9. Los valores límite que se indican en la tabla técnica **no deben superarse bajo ninguna circunstancia**.
10. En caso de defectos en el funcionamiento o de avería, póngase en contacto con el departamento de asistencia técnica del fabricante o con sus agentes autorizados más cercanos.
11. Si el cable de alimentación está dañado, un agente de servicio autorizado debe reemplazarlo.
12. Este aparato no está destinado a ser utilizado por personas (incluidos los niños) con capacidades físicas, sensoriales o mentales reducidas, o que carezcan de experiencia y conocimientos, salvo que estén supervisados por una persona responsable de su seguridad o que dicha persona les haya dado instrucciones sobre el uso del aparato y que entiendan los riesgos implicados.
13. El equipo no está pensado para que niños pequeños lo usen. Los niños pequeños deben estar vigilados para garantizar que no juegan con el equipo.
14. Todo el trabajo de cableado (eléctrico) debe ser realizado por electricistas autorizados y debe instalarse de conformidad con los códigos locales.
15. Si la bomba o el resto de equipos van a instalarse en una piscina o en un estanque, es obligatorio que se instale un interruptor de salida a tierra con una corriente nominal de activación no superior a 30 mA.
16. Desconecte siempre el aparato de la corriente antes de montarlo, desmontarlo o limpiarlo.
17. En condiciones de congelación, se debe vaciar el agua del armazón de la bomba por completo a través de los tapones de vaciado.

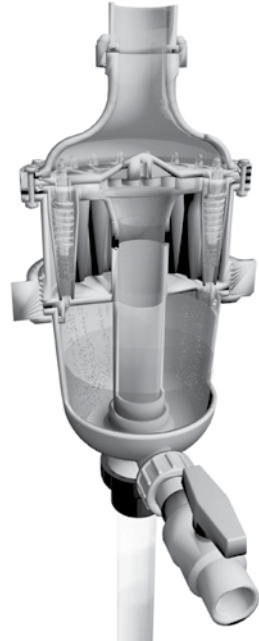
Para su uso en Europa:

1. Este aparato no está destinado a ser utilizado por personas (incluidos los niños a partir de 8 años) con capacidades físicas, sensoriales o mentales reducidas, o que carezcan de experiencia y conocimientos, salvo que estén supervisados por una persona responsable de su seguridad o que dicha persona les haya dado instrucciones sobre el uso del aparato.
2. Los niños deben estar vigilados para garantizar que no juegan con el equipo.
3. La limpieza y mantenimiento por parte del usuario no deben realizarla niños sin la supervisión de un adulto.

MULTICYCLONE

MultiCyclone es un dispositivo de prefiltración excelente que permite ahorrar agua y reducir al mínimo el mantenimiento del filtro de la piscina. Basado en los principios de la prefiltración de agua centrífuga, MultiCyclone filtra hasta un 80 % de la carga de suciedad de la piscina antes de que llegue al filtro de la piscina y solo necesita 15 litros (4 galones) de agua para llevar a cabo la limpieza.

- Reduce al mínimo el mantenimiento de los filtros y permite ahorrar agua.
- Sin medios de filtrado que se deban limpiar o sustituir.
- Varios hidrociclones.
- Adecuado para instalaciones nuevas y existentes.



Filtración de agua centrífuga

El agua entrante penetra en los hidrociclones de manera tangencial, lo que genera un fuerte efecto centrífugo. Alrededor del 80 % de la carga de suciedad que penetra desciende en espiral hasta la cámara de sedimento transparente. El agua pulida saliente se canaliza a través del sistema de filtración de la piscina.

Mantenimiento sencillo

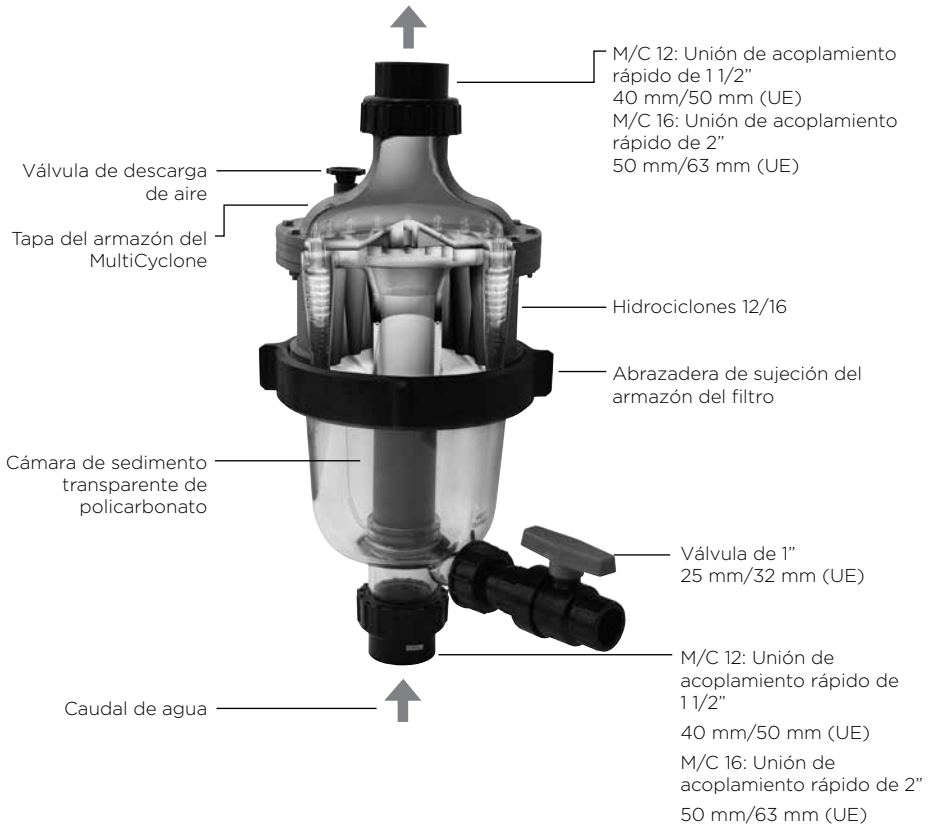
La cámara de sedimento del MultiCyclone se limpia fácilmente al abrir la válvula de purga y solo se descargan 15 litros (4 galones) de agua.

Reducción al mínimo de la frecuencia de retrolavado del filtro de medios

Gracias a la instalación del MultiCyclone como prefiltro de filtros de medios, se puede reducir la frecuencia de retrolavado a una vez por año, con lo que se logra un ahorro de 7000 litros (1850 galones) de agua al año en el caso de piscinas particulares de tamaño medio.

Reducción al mínimo de la limpieza y sustitución de los cartuchos de filtro

Gracias a la instalación del MultiCyclone como prefiltro de cartuchos filtrantes, se puede reducir la limpieza y la sustitución de los cartuchos filtrantes a una vez por año en función del tamaño del filtro de cartucho.

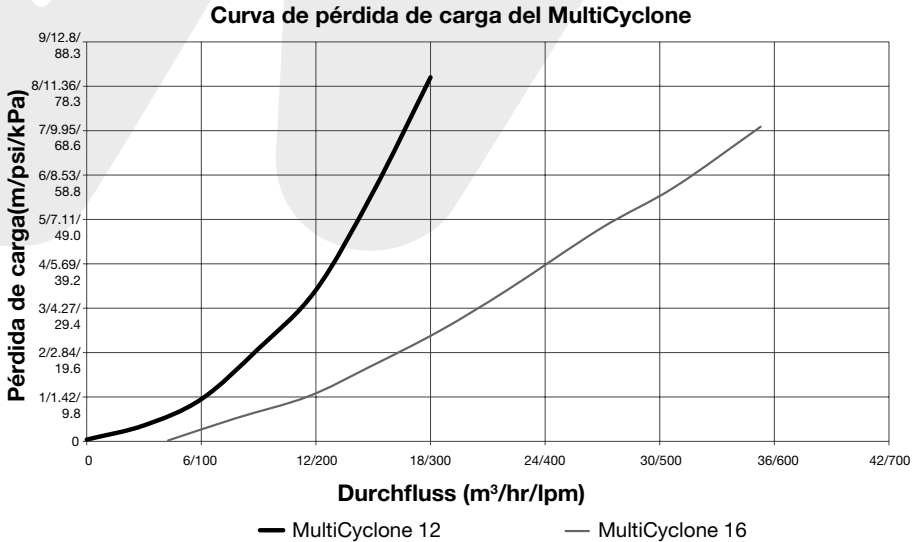


La acumulación de sedimento puede controlarse visiblemente a través de la cámara de sedimento transparente del MultiCyclone. La cámara de sedimento del MultiCyclone se limpia al abrir la válvula de purga. Solo se descargan 15 litros (4 galones) de agua para eliminar el sedimento del MultiCyclone.

Nota: La sección centrífuga del MultiCyclone está diseñada para filtrar sedimentos más pesados que el agua, por lo que los restos flotantes no se podrán filtrar por medio de la filtración centrífuga.

Modelo	Lumbreras de conexión	Caudal mínimo	Caudal máximo	Presión máxima
MultiCyclone 12	40 mm/50 mm (UE)/unión de acoplamiento rápido de 1 1/2"	40 l. p. m./2,4 m ³ /h/ 11 g. p. m.	300 l. p. m./18 m ³ /h/ 79 g. p. m.	350 kPa (50psi)
MultiCyclone 16	50 mm/63 mm (UE)/unión de acoplamiento rápido de 2"	50 l. p. m./3 m ³ /h/ 13 g. p. m.	500 l. p. m./30 m ³ /h/ 132 g. p. m.	350 kPa (50psi)

CURVA DE PÉRDIDA DE CARGA TOTAL DEL MULTICYCLONE PLUS



INSTALACIÓN

Asegúrese de cumplir con las normativas locales relativas a las bombas.

Asegúrese de que todos los suministros de tratamiento de aguas residuales cumplen con los códigos locales, territoriales o nacionales. No descargue agua en lugares en los que pueda provocar inundaciones o daños.

Si la presión del agua entrante es superior a la presión de funcionamiento máxima de 350 kPa/3,5 bar/50 psi, se debe instalar una válvula reductora de presión (VRP) en la sección ascendente de la entrada del filtro.

La VRP debe ajustarse al 90 % de la presión de funcionamiento máxima del depósito.

Si el caudal del agua entrante es inferior a los requisitos mínimos de caudal del filtro, la eficiencia de filtrado del filtro se verá afectada, en cuyo caso deberá ponerse en contacto con Waterco.

Instalación habitual

1. Coloque el filtro tan cerca de la piscina/spa como sea posible.
2. Coloque el filtro de forma que esté a salvo de inundación, alejado de sumideros, canaletas, cavidades en el jardín, etc.
3. Coloque el filtro de forma que las conexiones de tuberías de las válvulas de purga y descarga de aire sean cómodas y accesibles para su funcionamiento, mantenimiento e hibernación.
4. Asegúrese de que la etiqueta de cumplimiento esté orientada hacia arriba para facilitar la identificación.
5. El filtro debe colocarse en una losa de hormigón nivelada, un suelo muy firme o un equivalente. Asegúrese de que el suelo no se hundirá, lo que evita así esfuerzos de la tubería sujeta.
6. Asegúrese de que no hay movimientos del filtro durante el funcionamiento de la válvula de purga.
7. Deje una holgura suficiente alrededor del filtro para permitir la inspección visual de todo el sistema.

*NOTA: ES NECESARIA LA DERIVACIÓN DE LOS FILTROS DE DIATOMEAS



Instalación habitual con un filtro de medios



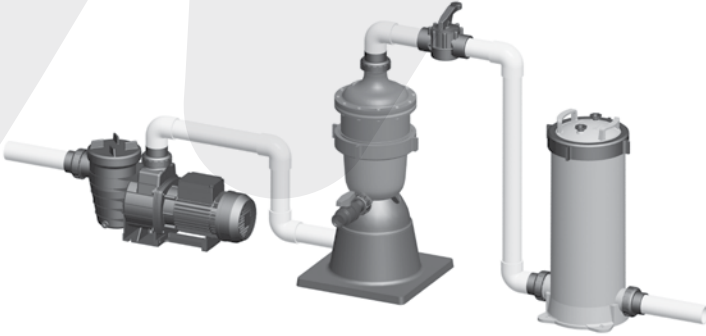
Instalación habitual con un cartucho de filtro



Instalación habitual con un filtro de tierra de diatomeas

Soporte de montaje opcional

También se encuentra disponible un soporte de montaje opcional para los casos en los que el MultiCyclone no pueda instalarse directamente sobre la bomba de la piscina.



Instalación con soporte de montaje opcional

Sistema de tuberías

1. Compruebe que la presión del agua entrante está dentro de la presión de trabajo recomendada del filtro y asegúrese de que haya instalada una válvula de limitación de presión si utiliza agua de la red o una bomba de alta presión.
2. Asegúrese de haya instalada una válvula de retención/cierre si la bomba está instalada 500 mm/20 " por encima del nivel de agua.
3. Si el filtro está instalado por debajo del nivel del agua o conectado al agua de la red, deben instalarse válvulas de aislamiento en la entrada y la salida del filtro. Esto evitará flujo de agua durante cualquier mantenimiento rutinario.
4. Reduzca al mínimo la longitud de la tubería y el número de empalmes para reducir al mínimo las restricciones del flujo de agua.
5. Asegúrese de que todas las conexiones de tuberías están pegadas y fijadas de forma segura para evitar fugas.
6. Asegúrese de no aplicar exceso de disolventes a los empalmes, ya que podrían colarse en las juntas tóricas y provocar problemas de sellado.
7. No apriete en exceso los empalmes o adaptadores.

Atornille las partes traseras y las uniones de medio tambor a las entradas y salidas antes de pegar las tuberías de UPVC al filtro.

PRECAUCIÓN

Nota: No utilice líquido sellador ni cinta de teflón en las roscas de entrada o salida del MultiCyclone ni en las roscas de unión para conectar las roscas de unión de tambor.

Utilice solo el pegamento recomendado para conectar las tuberías y empalmes

Corte y acople la tubería y los empalmes en el MultiCyclone y la bomba. **Consulte** el manual de instalación de la bomba para obtener información sobre el proceso correcto para instalar las tuberías de la bomba.

Se recomienda acoplar todos los empalmes y tuberías que se han cortado en el sistema de filtración **antes** de pegar los elementos, ya que de esta forma se asegurará que el sistema **se ha alineado** de manera correcta.

Pegue las tuberías y los empalmes a la bomba, el filtro y las tuberías de retorno de la piscina y **deje** que el pegamento se endurezca **durante 24 horas** antes de poner en marcha el sistema.

Conexión de las bombas

1. Asegúrese de instalar una válvula de retención/cierre si la bomba está instalada 500 mm/20" por encima del nivel de agua.
2. Si el filtro está instalado por debajo del nivel del agua o conectado al agua de la red, deben instalarse válvulas de aislamiento en la entrada y la salida del filtro. Esto evitará flujo de agua durante cualquier mantenimiento rutinario.
3. Reduzca al mínimo la longitud de la tubería y el número de empalmes para reducir al mínimo las restricciones del flujo de agua.
4. Conecte la tubería que se extiende desde la salida de la bomba a la entrada del MultiCyclone.
5. Lleve a cabo la conexión desde la tubería que se extiende desde la salida del MultiCyclone al siguiente componente en línea con el sistema de filtrado.
6. Pegue todas las tuberías a los empalmes de unión del tambor según las especificaciones del fabricante del pegamento (disolvente) y deje que se endurezca durante 24 horas. Asegúrese de no aplicar exceso de pegamento (disolvente) a los empalmes, ya que podrían colarse en las juntas tóricas y provocar problemas de sellado.

Nota: Waterco recomienda instalar una válvula de cierre tras el MultiCyclone en la tubería de retorno de la piscina para ayudar a descargar los restos que se recojan. Consulte la sección «Presión de agua insuficiente».

7. Conéctelo con la tubería de deshechos. Pegue las tuberías de la válvula de purga de sedimentos a la tubería de deshechos, drenaje o cualquier área de drenaje adecuada.
8. Encienda la bomba para piscinas. Compruebe que no haya fugas en los conectores. Apriete a mano en caso de que sea necesario.

PROCEDIMIENTO DE PUESTA EN MARCHA

El MultiCyclone es un sistema de filtrado avanzado y de gran eficiencia que ofrece años de servicio sin problemas si se siguen los siguientes procedimientos de mantenimiento.

El proceso para poner en marcha el sistema de filtrado por primera vez o después de una limpieza es el mismo.

1. Asegúrese de que las conexiones de tuberías del MultiCyclone son correctas.
2. Asegúrese de que todas las válvulas instaladas antes y después del MultiCyclone están abiertas.
3. Afloje la válvula de descarga de aire en la parte superior del filtro MultiCyclone.
4. Ceebe la bomba de piscina. (Consulte el manual de instalación y funcionamiento de la bomba).
5. Encienda la bomba de piscina y deje que funcione hasta que se haya expulsado todo el aire del MultiCyclone. El agua se drenará a través de la válvula de descarga de aire.
6. Vuelva a apretar la válvula de descarga de aire.
7. El filtro se ha cebado y está listo para su funcionamiento.

Nota: En algunos casos es posible que esta operación deba llevarse a cabo varias veces antes de que la unidad permanezca en estado de cebado y sea totalmente funcional.

PRECAUCIÓN

No se ponga de pie encima del MultiCyclone mientras ajuste la válvula de descarga de aire para purgar el aire del sistema.

Es probable que se produzcan lesiones si se afloja la válvula de descarga de aire.

MANTENIMIENTO DEL FILTRO MULTICYCLONE

El mantenimiento del filtro MultiCyclone se determina mediante las siguientes condiciones:

1. La cámara de sedimentos ha alcanzado la mitad de la capacidad de llenado con sedimentos. La acumulación de sedimentos puede controlarse visiblemente a través de la cámara de sedimento transparente del MultiCyclone. El MultiCyclone se limpia al abrir la válvula de purga. Solo se descargan 15 litros (4 galones) de agua para eliminar el sedimento del MultiCyclone.

Descarga de la cámara de sedimentos

Cuando la bomba está en marcha:

Mientras la bomba de agua está en marcha, solo hay que abrir la válvula de purga de sedimentos hasta que se haya descargado el sedimento, lo que se puede ver a través de la cámara de sedimento transparente. Cuando se haya descargado el sedimento, cierre la válvula de purga.

Cuando la bomba no está en marcha:

Otra opción es apagar la bomba, abrir la válvula de descarga de aire y después abrir la válvula de purga. El agua saldrá del MultiCyclone y se eliminará la mayoría de los residuos de la cámara de sedimento. A continuación, cierre la válvula de descarga de aire y encienda la bomba, con lo que la turbulencia del agua al entrar en la cámara de sedimento eliminará el resto del sedimento. Cuando se haya limpiado la cámara de sedimento, cierre la válvula de purga, encienda la bomba y cierre la válvula de descarga de aire cuando el agua circule hacia fuera a través de la válvula de descarga de aire.

PRESIÓN DE AGUA INSUFICIENTE

En los casos en los que el caudal de agua no tenga suficiente potencia para expulsar el sedimento de la cámara de sedimento, Waterco recomienda acoplar una válvula de 2 vías después del MultiCyclone en la tubería de retorno de la piscina.

La válvula de 2 vías se utiliza para impulsar el caudal de agua y que salga del MultiCyclone, con lo que se aumenta la turbulencia del agua en la cámara de sedimento y se mejora la capacidad de purga.

Con la bomba funcionando, abra la válvula de purga y cierre entonces parcialmente la válvula de 2 vías. Así se impulsa el caudal de agua lo suficiente como para expulsar el sedimento retenido en la cámara de sedimento. Cuando la cámara de sedimento esté limpia, abra la válvula de 2 vías y después cierre la válvula de purga.

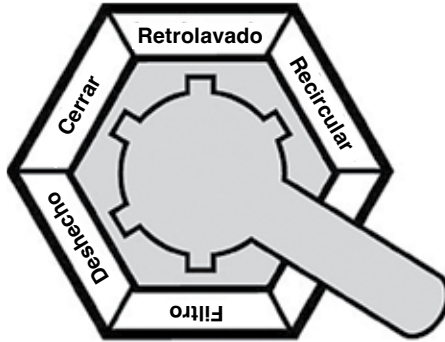


Instalación con cartucho filtrante y válvula de cierre de 2 vías

⚠ PRECAUCIÓN

No cierre la válvula de 2 vías antes de abrir la válvula de purga y no cierre la válvula de purga mientras la válvula de 2 vías está cerrada total o parcialmente. Las dos válvulas no deben estar nunca cerradas total o parcialmente al mismo tiempo.

Si el MultiCyclone se ha instalado como un prefiltro de filtro de medios, el flujo de agua del filtro de medios cerrarse mediante.*



***NOTA:** Esta posición no está disponible en válvulas de múltiples salidas de 4 vías.

GUÍA GENERAL DE MANTENIMIENTO

Para asegurar la máxima vida útil del MultiCyclone, siga los siguientes procedimientos:

1. Compruebe visualmente la cámara de sedimento transparente del MultiCyclone. Limpie la cámara de sedimento cuando el sedimento acumulado haya llegado a la mitad de la capacidad.
2. Mantenga un equilibrio químico correcto del agua de su piscina/spa. El equilibrio químico del agua es una relación entre su pH, la alcalinidad total, la dureza de calcio y la temperatura del agua. El agua debe mantenerse en todo momento como sigue:

NIVEL DE PH	: ENTRE 7,2 y 7,8.
ALCALINIDAD TOTAL	: ENTRE 80 y 150 p. p. m.
DUREZA DE CALCIO	: ENTRE 150 y 300 p. p. m.

Del mismo modo, dentro de estas tolerancias debe estar equilibrada según el Índice de Saturación de Langelier dentro de un rango de -0,2 a +0,2.

Nota: Hay disponibles kits de prueba para que pruebe el agua usted mismo o para que lleve una muestra del agua a una tienda especializada en piscinas y spa.

3. Los suministros de agua de la red y de agua rural deben estar controlados. La saturación (vida) en agua de la red o la ola (agua rural) variará en función de la calidad del agua.
4. Para evitar daños en la bomba y en el filtro y para que el sistema funcione adecuadamente, limpie el depurador de la bomba y las cestas espumadoras regularmente.
5. Sustituya el manómetro si se observan lecturas defectuosas.

HIBERNACIÓN

Deben llevarse a cabo procedimientos de hibernación adecuados para proteger el filtro en climas fríos (temperaturas por debajo del punto de congelación).

1. Desconecte la bomba/cierre la válvula de entrada.
2. Abra la válvula de descarga de aire y la válvula de purga para expulsar el agua del MultiCyclone.
 - a. Filtro de medios: mueva el asa de la válvula de múltiples lumbreras a la posición de hibernación (entre el filtro y el deshecho).
 - b. Filtro de cartucho: abra la válvula de descarga de aire para que el aire circule por todas las lumbreras.
3. Retire los tapones de drenaje del filtro.
4. Vacíe el agua de las conexiones de tuberías.

GUÍA DE SOLUCIÓN DE PROBLEMAS

Síntomas	Soluciones/problemas posibles
El agua no es cristalina	Niveles de desinfectante insuficientes
	Química de piscina incorrecta
	Mucha gente bañándose o cargas de suciedad elevadas
	Caudal incorrecto
	Tiempos en marcha insuficientes (Aumente el tiempo en marcha)
	El filtro está sucio. (Límpielo de acuerdo con las instrucciones)
	Abertura en el elemento filtrante
	Pérdida de aire en la tubería de aspiración
	Álabes del impulsor de la bomba bloqueados
	Otras restricciones incluyen (limpiadores de aspiración de piscinas) resistencia desde otros equipos en línea tales como depuradores
	Bomba no cebada
Caudal de agua bajo	Compruebe las cestas de los depuradores en busca de residuos
	Compruebe si hay pérdidas de aire en el lado de la aspiración
	Compruebe si hay obstrucciones o bloqueos en las tuberías de aspiración o retorno
	El filtro del sistema debe limpiarse o sustituirse
	Nivel de agua en la piscina excesivamente bajo
	Bomba no cebada
	Álabes del impulsor de la bomba bloqueados
	Las cestas de los depuradores no se utilizan o no se limpian con frecuencia
Bomba en funcionamiento con velocidad excesivamente baja (baja tensión)	
Ciclos de filtro cortos	Presencia de algas; compruebe el contenido del desinfectante
	Compruebe el nivel de pH y alcalinidad total
	Rendimiento de la bomba mayor que el caudal diseñado; compruebe el rendimiento de la bomba
	Limpieza deficiente; compruebe el estado de la cámara de sedimento
Presión elevada durante la puesta en marcha	Boquilla de retorno pequeña en la piscina/spa
	Válvula parcialmente cerrada en la tubería de retorno
	Bomba demasiado grande, compruebe la selección

GARANTÍA

MultiCyclone dispone de una garantía de 3 años. Las instalaciones comerciales están cubiertas una garantía de 1 año.

Consulte las condiciones de la garantía de Waterco.



Inhoudsopgave

ALGEMENE VEILIGHEIDSVORSCHRIFTEN	57
MULTICYCLONE	58
MULTICYCLONE CURVE TOTAAL DRUKVERLIES	60
INSTALLATIE	60
OPSTARTPROCEDURES	64
ONDERHOUD MULTICYCLONE FILTER	65
ONVOLDOENDE WATERDRUK	66
ALGEMENE ONDERHOUDSHANDLEIDING	67
WINTERKLAAR	68
PROBLEMEN OPLOSSEN	69
GARANTIE	69

ALGEMENE VEILIGHEIDSVOORSCHRIFTEN

1. De in deze handleiding beschreven machines & apparatuur zijn specifiek ontworpen voor het voorfilteren en recirculeren van water in zwembaden.
2. Ze zijn is bedoeld om gebruikt te worden met schoon water met een maximumtemperatuur van **45 graden Celsius (113 graden Fahrenheit)**.
3. De installatie moet worden uitgevoerd conform de veiligheidsinstructies voor **badinrichtingen, in het bijzonder de richtlijn HD 60364-7-702** en de specifieke instructies horend bij elke inrichting.
4. De regels met betrekking tot het voorkomen van ongelukken dienen zorgvuldig te worden opgevolgd.
5. Voor elke wijziging aan de pomp is **vooraf toestemming nodig van de fabrikant**. Authentieke vervangingsonderdelen en toebehoren die door de fabrikant zijn goedgekeurd, dragen bij aan een hoog veiligheidsniveau. De fabrikant van de pomp aanvaardt geen aansprakelijkheid voor **schade en letsel veroorzaakt door ongeautoriseerde vervangingsonderdelen of toebehoren**.
6. Sommige delen van de pomp en andere apparatuur komen tijdens het gebruik onder gevaarlijke elektrische spanning te staan. Er mag pas aan elke pomp of op de pomp aangesloten apparatuur worden gewerkt **nadat de netspanning ervan is uitgeschakeld en de netspanning van de startinrichting is uitgeschakeld**.
7. De gebruiker dient ervoor te zorgen dat montage- en onderhoudswerkzaamheden worden uitgevoerd door bekwame, **geautoriseerde personen** en dat deze personen eerst de onderhouds- en installatie-instructies zorgvuldig hebben doorgelezen.
8. De bedrijfsveiligheid van de pomp en andere apparatuur is alleen gegarandeerd als de installatie- en onderhoudsinstructies correct worden opgevolgd.
9. De grenswaarden in de technische tabel **mogen in geen enkele omstandigheid worden overschreden**.
10. Neem bij een gebrekkige werking of storingen contact op met de afdeling technische ondersteuning van de fabrikant of de dichtstbijzijnde geautoriseerde vertegenwoordiger.
11. Als de netspanningskabel is beschadigd, dient deze door een erkende onderhoudsmedewerker te worden vervangen.
12. Het apparaat mag niet worden gebruikt door personen (inclusief kinderen) die beperkte fysieke, sensorische of geestelijke vermogens hebben of niet over de vereiste ervaring en kennis beschikken, tenzij een persoon die verantwoordelijk is voor hun veiligheid toezicht houdt of hen opgeleid heeft in het gebruik van het apparaat, en als zij de betrokken gevaren begrijpen.
13. Het apparaat is niet bedoeld voor gebruik door jonge kinderen. Kinderen moeten onder toezicht worden gehouden om ervoor te zorgen dat zij niet met het apparaat spelen.
14. Alle (elektrische) bedradingswerkzaamheden moeten worden uitgevoerd door een erkende electricien en de installatie moet worden uitgevoerd overeenkomstig lokale regels.
15. Als de pomp en/of andere apparatuur wordt geplaatst bij een vijver of bad is het verplicht om een aardlekschakelaar te installeren met een stroomonderbreker van niet meer dan 30 mA.
16. Koppel het apparaat altijd los van de voeding voorafgaand aan montage, demontage of reiniging.
17. Als het vriest, moet het water volledig uit het pomphuis worden afgevoerd door de aftapluggen op het pomphuis te openen.

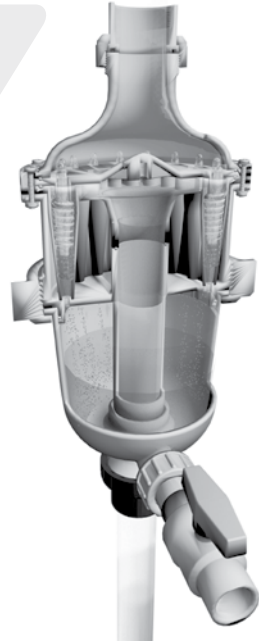
Voor gebruik in Europa:

1. Dit apparaat mag niet worden gebruikt door personen (inclusief kinderen vanaf 8 jaar) die beperkte fysieke, sensorische of geestelijke vermogens hebben of niet over de vereiste ervaring en kennis beschikken, tenzij een persoon die verantwoordelijk is voor hun veiligheid toezicht houdt of hen opgeleid heeft in het gebruik van het apparaat.
2. Kinderen moeten onder toezicht worden gehouden om ervoor te zorgen dat zij niet met het apparaat spelen.
3. Reiniging en gebruikersonderhoud mogen zonder toezicht niet door kinderen worden uitgevoerd.

MULTICYCLONE

MultiCyclone is een fantastisch voorfiltratieapparaat dat water kan besparen en het onderhoud van het zwembadfilter tot een minimum kan beperken. De MultiCyclone is gebaseerd op de principes van centrifugale waterfiltratie en filtert tot 80% van het vuil in het zwembad voordat dit het zwembadfilter bereikt. Voor de reiniging is slechts 15 liter water (4 gallons) nodig.

- Minimaliseert filteronderhoud en bespaart water.
- Geen filtermedia die moeten worden gereinigd of vervangen.
- Meerdere hydrocyclonen.
- Geschikt voor nieuwe en bestaande installaties..



Centrifugale waterfiltratie

Het water komt aan de zijkant de meervoudige hydrocyclonen binnen waardoor een sterk centrifugaal effect ontstaat. Ongeveer 80% van het binnenkomende vuil wordt in een spiraal naar beneden geleid, naar de doorzichtige bezinkselkamer. Het uitgaande, gepolijste water wordt via het filtratiesysteem naar het zwembad geleid.

Eenvoudig onderhoud

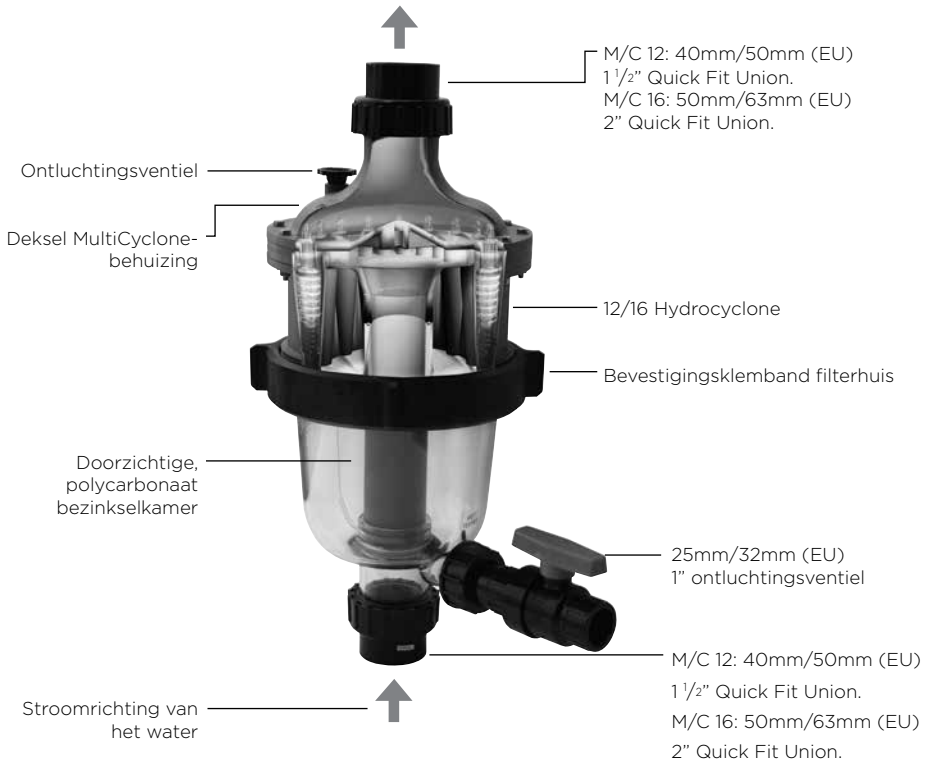
De installatie van een MultiCyclone als voorfilter bij een zandfilter kan de terugspoelfrequentie terugbrengen tot één keer per jaar. Dit resulteert in een besparing tot 7000 liter (1850 gallons) water per jaar voor een normaal gemiddeld zwembad.

Minimaliseren terugspoelfrequentie van mediafilter

De installatie van een MultiCyclone als voorfilter bij een zandfilter kan de terugspoelfrequentie terugbrengen tot één keer per jaar. Dit resulteert in een besparing tot 7000 liter (1850 gallons) water per jaar voor een normaal gemiddeld zwembad.

Minimaliseren reinigen en vervangen van de filtercartridge

De installatie van een MultiCyclone als voorfilter bij een cartridgefilter kan reiniging en vervanging van filtercartridges beperken tot één keer per zwemseizoen en zelfs tot één keer per jaar, afhankelijk van de grootte van het cartridgefilter.

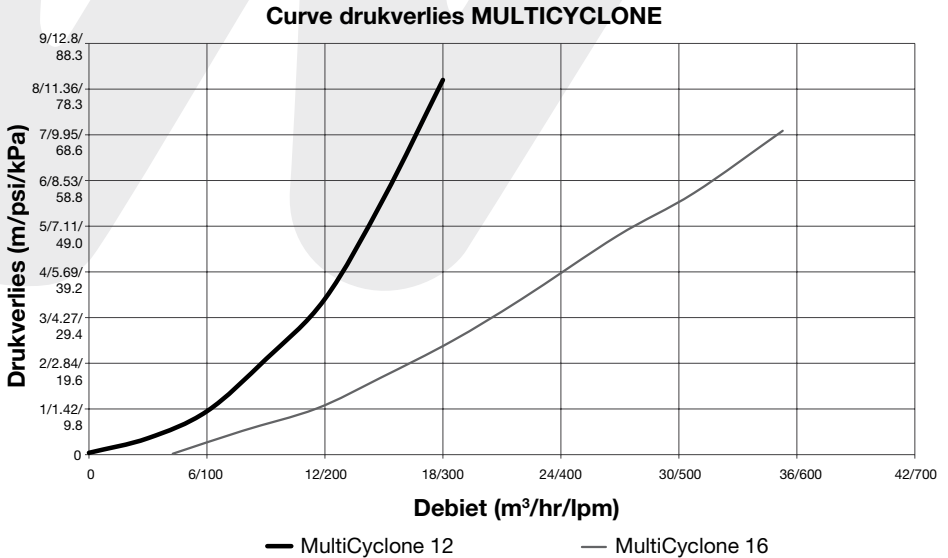


De ophoping van bezinksel kan zichtbaar worden gecontroleerd via de doorzichtige bezinkselkamer van de MultiCyclone. De MultiCyclone bezinkselkamer kan worden gereinigd door gewoon het spoelventiel te openen. Slechts 15 liter water (4 gallons) is nodig om het bezinksel uit de MultiCyclone te verwijderen.

Let op: het centrifugale gedeelte van de MultiCyclone is ontworpen om bezinksel te filteren dat zwaarder is dan water. Centrifugale filtratie is niet geschikt voor het uitfilteren van zwevend vuil.

Model	Aansluitingen	Minimum debiet	Maximum debiet	Max. druk
MultiCyclone 12	40mm/50mm (EU)/ 1 1/2" Quick Fit Union	40lpm/2.4 m ³ /hr/ 11gpm	300lpm/18m ³ /hr/ 79gpm	350 kPa (50psi)
MultiCyclone 16	50mm/63mm (EU)/ 2" Quick Fit Union	50lpm/3 m ³ /hr/ 13gpm	500lpm/30m ³ /hr/ 132gpm	350 kPa (50psi)

MULTICYCLONE PLUS CURVE TOTAAL DRUKVERLIES



INSTALLATIE

Volg de plaatselijke loodgietersvoorschriften op.

Zorg ervoor dat alle voorzieningen voor afvalwaterafvoer voldoen aan de plaatselijke, landelijke of nationale voorschriften. Loos het water niet op plaatsen waar het overstroming of schade kan veroorzaken.

Als de inkomende waterdruk hoger is dan de maximale werkdruk van 350 kPa/3,5 bar/50 psi, moet er stroomopwaarts van de filterinlaat een drukregelventiel (Pressure Regulating Valve, PRV) worden geïnstalleerd.

De PVR moet worden ingesteld op 90% van de maximale bedrijfsdruk van de tank.

Als het inkomende waterdebiet lager is dan de minimumdebietvereisten van het filter, dan zal dit de filtratie-efficiëntie van het filter beïnvloeden. Neem hiervoor contact op met Waterco.

Standaard installatie

1. Plaats het filter zo dicht mogelijk bij het zwembad/de spa.
2. Plaats het filter zodanig dat het vrij is van overstromingen en zich uit de buurt bevindt van putten, goten, kuilen in de tuin, enz.
3. Plaats het filter zodanig dat leidingaansluitingen, spoelventiel en ontluuchtingsventiel toegankelijk zijn en gemakkelijk kunnen worden bediend, onderhouden en winterklaar kunnen worden gemaakt.
4. Zorg ervoor dat het conformiteitslabel naar voren is gericht, zodat het gemakkelijk te lezen is.
5. Het filter moet worden geplaatst op een vlakke betonnen plaat, een zeer stevige ondergrond of een gelijkwaardige ondergrond. Zorg ervoor dat de grond niet kan verzakken, zodat de aangekoppelde leidingen niet onder druk komen te staan.
6. Zorg ervoor dat het filter niet kan bewegen tijdens gebruik van het spoelventiel.
7. Laat voldoende ruimte rond het filter om het gehele systeem met het oog te kunnen inspecteren.

*LET OP: DE FILTERS HEBBEN EEN BYPASS NODIG



Standaard installatie met een mediafilter



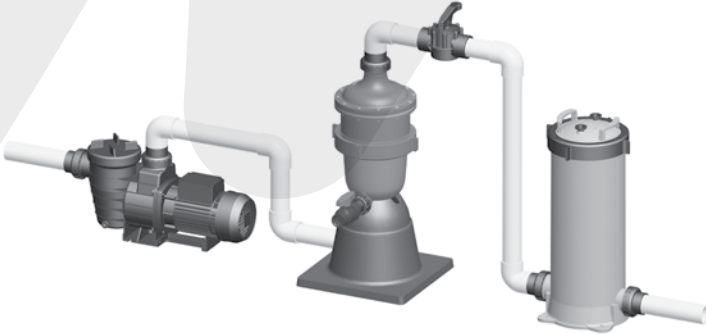
Standaard installatie met een cartridgefilter



Standaard installatie met een DE filter

Optionele montagestandaard

Voor situaties waarin de MultiCyclone niet direct boven uw zwembadpomp kan worden geïnstalleerd, is een optionele montagestandaard verkrijgbaar.



Installatie met optionele montagestandaard

Leidingen

1. Controleer of de inkomende waterdruk binnen de aanbevolen werkdruk van het filter ligt en zorg ervoor dat er een drukkbegrenzingsventiel is geïnstalleerd als u leidingwater of een hogedrukpomp gebruikt.
2. Zorg ervoor dat er een voetventiel/terugslagventiel is geïnstalleerd als de pomp 500 mm (20 inch) boven het waterniveau is geïnstalleerd.
3. Als het filter onder het waterniveau wordt geïnstalleerd of op het leidingwater wordt aangesloten, moeten er isolatieventielen worden geïnstalleerd aan de inlaat en uitlaat van het filter. Hiermee voorkomt u stromend water tijdens routinematig onderhoud.
4. Minimaliseer de lengte van de buis en het aantal fittingen om beperkingen van de waterstroom te minimaliseren.
5. Zorg ervoor dat alle leidingen goed aan elkaar worden vastgelijmd en vastgezet om lekkage te voorkomen.
6. Zorg ervoor dat er niet te veel oplosmiddelen worden toegepast op fittingen. Dit kan namelijk leiden tot problemen met de O-ringen en afdichtingen.
7. Draai de fittingen of adapters niet te strak aan.

Schroef de bijgeleverde halve buisverbindingen en uiteinden op de inlaat en uitlaat voordat de UPVC leidingen op het filter worden gelijmd.

VOORZICHTIG

Let op: gebruik geen vloeibaar afdichtmiddel of schroefdraadtape op de inlaat- of uitlaatschroefdraad van de MultiCyclone of op de schroefdraad van de buisverbindingen.

Gebruik alleen aanbevolen lijm voor de aansluiting van buizen en fittingen

Snijd de buizen en fittingen af en monteer ze op de MultiCyclone en pomp. Raadpleeg de installatiehandleiding van de pomp voor de correcte procedures voor het installeren van pompleidingen.

Het is **best practice** om alle gesneden buizen en fittingen aan te sluiten op het filtersysteem **voordat** ze worden vastgelijmd. Zodoende is het systeem **goed** uitgelijmd.

Lijm de buis en fittingen op de pomp, filter en terugvoerbuizen van het zwembad en **laat** de lijm **24 uur** intrekken alvorens het systeem te gebruiken.

Buisaansluitingen

1. Zorg ervoor dat er een voetventiel/terugslagventiel is geïnstalleerd als de pomp 500 mm (20 inch) boven het waterniveau is geïnstalleerd.
2. Als het filter onder het waterniveau wordt geïnstalleerd of op het leidingwater wordt aangesloten, moeten er isolatieventielen worden geïnstalleerd aan de inlaat en uitlaat van het filter. Hiermee voorkomt u stromend water tijdens routinematig onderhoud.
3. Minimaliseer de lengte van de buis en het aantal fittingen om beperkingen van de waterstroom te minimaliseren.
4. Sluit de buis aan die van de pompuitlaat naar de inlaat van de MultiCyclone loopt.
5. Sluit de buis aan die van de pompuitlaat van de MultiCyclone naar het volgende onderdeel van het filtratiesysteem loopt.
6. Lijm alle buizen vast aan de koppelingen volgens de specificaties van de fabrikant van de lijm of het oplosmiddel en laat 24 uur intrekken. Zorg ervoor dat er niet te veel lijm (oplosmiddel) worden toegepast op fittingen. Dit kan namelijk leiden tot problemen met de O-ringen en afdichtingen.

Opmerking: Waterco adviseert om een afsluitklep te installeren achter de MultiCyclone op de terugvoerbuis van het zwembad om wegspoelen van het verzamelde puin gemakkelijker te maken. Raadpleeg 'Onvoldoende waterdruk'.

7. Aansluiting op afvalleiding. Lijm de buis van het bezinksel-spoelventiel vast aan een afvalleiding, afvoer of geschikt drainagegebied.
8. Schakel de zwembadpomp in. Controleer of er geen lekkages zijn bij de connectoren. Draai, indien nodig, vast met de hand.

OPSTARTPROCEDURE

De MultiCyclone is een geavanceerd en zeer efficiënt filtersysteem dat jarenlang probleemloos zal werken als de volgende onderhoudsprocedures worden gehandhaafd.

Het filtersysteem opstarten vanaf nieuw of na reiniging is precies hetzelfde.

1. Controleer of de leidingen van de MultiCyclone correct zijn aangesloten.
2. Zorg ervoor dat alle kleppen die voor en na de MultiCyclone zijn geïnstalleerd open staan.
3. Maak het ontluichtingsventiel boven op het MultiCyclone filter los..
4. Laat de zwembadpomp water aanzuigen. (Raadpleeg de installatie- en bedieningshandleiding van de pomp).
5. Schakel de zwembadpomp in en laat de pomp draaien totdat alle lucht is verdwenen uit de MultiCyclone. Er stroomt dan water uit het ontluichtingsventiel.
6. Draai het ontluichtingsventiel weer vast.
7. Het filter is voorgevuld en klaar voor gebruik.

Opmerking: in sommige gevallen kan het nodig zijn om dit een paar keer te doen voordat het filter voorgevuld en volledig operationeel blijft.

VOORZICHTIG

Ga niet boven de MultiCyclone staan terwijl u het ontluichtingsventiel bijstelt om het systeem te ontluichten.

Er kan letsel ontstaan als het ontluichtingsventiel losschiet.

ONDERHOUD MULTICYCLONE FILTER

Het onderhoud aan het MultiCyclone filter wordt bepaald door de volgende voorwaarden:

1. De bezinkselkamer is half gevuld met sediment. Deze ophoping van bezinksel kan visueel worden gecontroleerd via de doorzichtige bezinkselkamer van de MultiCyclone. De MultiCyclone kan worden gereinigd door gewoon het spoelventiel open te maken. Slechts 15 liter water (4 gallons) is nodig om het bezinksel uit de MultiCyclone te verwijderen.

Uitspoelen bezinkselkamer

Met werkende pomp:

Terwijl de waterpomp draait, opent u gewoon het spoelventiel totdat het bezinksel is weggespoeld. Dit is te zien door de doorzichtige wand van de bezinkselkamer. Sluit het spoelventiel zodra het bezinksel is weggespoeld.

Zonder werkende pomp:

Schakel als alternatief de pomp uit. Open het ontluichtingsventiel en vervolgens het spoelventiel. Het water zal door de MultiCyclone zakken en het meeste vuil uit de bezinkselkamer spoelen. Sluit dan het ontluichtingsventiel en zet de pomp aan. De turbulentie van het water dat de sedimentkamer binnenstroomt, zal de rest van het sediment wegspoelen. Zodra de bezinkselkamer is gereinigd, sluit dan het spoelventiel, schakel de pomp in en sluit het ontluichtingsventiel zodra er water door het ontluichtingsventiel naar buiten stroomt.

ONVOLDOENDE WATERDRUK

In situaties waarin de waterstroom van de pomp niet krachtig genoeg is om het bezinksel uit de bezinkselkamer te spoelen raadt Waterco aan om een 2-wegklep te installeren achter de MultiCyclone op de terugvoerbuis van het zwembadwater.

De 2-wegklep wordt gebruikt om de waterstroom uit de MultiCyclone te beperken waardoor de waterturbulentie door de bezinkselkamer toeneemt en de zuiverende werking verbetert.

Terwijl de pomp werkt, open het spoelventiel en sluit deels de 2-wegklep. Hierdoor neemt de waterstroom voldoende af om opgehoopt bezinksel uit de bezinkselkamer te spoelen. Zodra de bezinkselkamer schoon is, open de 2-wegklep en sluit het spoelventiel.

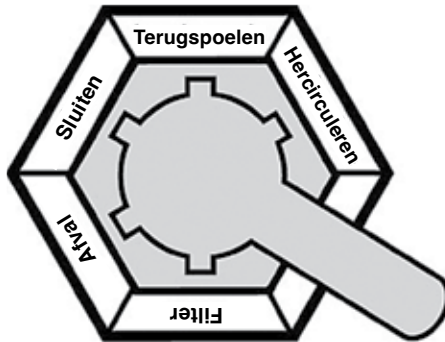


Installatie met 2-weg afsluitklep cartridgefilter

⚠ VOORZICHTIG

Sluit de 2-wegklep niet voordat het spoelventiel is geopend en sluit het spoelventiel niet terwijl de 2-wegklep geheel of gedeeltelijk is gesloten. Beide ventielen mogen nooit tegelijkertijd of gedeeltelijk gesloten zijn.

Als de MultiCyclone wordt geïnstalleerd als voorfilter voor een mediafilter, dan kan de waterstroom naar het mediafilter worden afgesloten via het multipoortventiel van het mediafilter.*



***LET OP:** Deze stand is niet beschikbaar bij het 4-weg multipoortventiel.

ALGEMENE ONDERHOUDSHANDLEIDING

Om de maximale levensduur van de MultiCyclone te garanderen, dient u de onderstaande procedures te volgen:

1. Controleer visueel de doorzichtige bezinkselkamer van de MultiCyclone. Maak de bezinkselkamer schoon als de kamer half gevuld is met bezinksel.
2. Zorg voor de juiste chemische balans van uw zwembadwater/spawater. De chemische balans van het water wordt bepaald door de pH-waarde, totale alkaliteit, kalkhardheid en de watertemperatuur. Het water moet te allen tijde aan de volgende waarden voldoen:

PH-NIVEAU	: TUSSEN 7,2 EN 7,8.
TOTALE ALKALITEIT	: TUSSEN 80 EN 150 ppm.
KALKHARDHEID	: TUSSEN 150 EN 300 ppm.

Het water moet dus binnen deze toleranties voldoen aan het bereik -0,2 tot +0,2 van de Langelier-verzadigingsindex.

Let op: Er zijn testkits beschikbaar om zelf het water te testen, of neem een monster van het water en geef dit aan een specialist in een zwembad- en spawinkel.

3. De stedelijke en rurale watervoorziening moeten worden gecontroleerd. Verzadiging bij een stedelijke watervoorziening (kraanwater) of een rurale watervoorziening (put) is afhankelijk van de waterkwaliteit.
4. Om schade aan de pomp en het filter te voorkomen en het systeem juist te laten werken, moeten de skimmer en pompzeef regelmatig worden gereinigd.
5. Vervang de drukmeter als er foute metingen worden waargenomen.

WINTERKLAAR

Om uw filter te beschermen in koude omstandigheden (bij temperaturen onder het vriespunt) moeten altijd de juiste procedures worden opgevolgd.

1. Schakel de pomp uit/sluit het inlaatventiel.
2. Open het ontluchtingsventiel en spoelventiel om water uit de MultiCyclone te laten stromen.
 - a. Mediafilter, zet de hendel van het multipoortventiel in de winterstand [tussen 'filter' en 'waste' in).
 - b. Cartridgefilter, open het ontluchtingsventiel. Hierdoor kan lucht naar alle poorten kan stromen.
3. Verwijder eventuele aftappluggen uit de pomp.
4. Laat het water uit het leidingwerk weglopen.

PROBLEMEN OPLOSSEN

Symptomen	Mogelijke problemen / oplossingen
Water is niet helder	Onvoldoende ontsmettingsmiddel.
	Onjuiste chemische balans in het zwembad.
	Zwembad is intensief gebruikt en/of veel vuil.
	Onjuist debiet.
	Onvoldoende in bedrijf. (Verhoog de bedrijfsduur van de pomp.)
	Filter is vuil. (Reinigen volgens de instructies.)
	Gat in het filterelement.
	Luchtlek in de zuigleiding
	Pompschoepen geblokkeerd
	Andere beperkingen, waaronder weerstand (bij zwembadreinigers) van andere onderdelen, zoals zeefjes.
Pomp zuigt geen water aan.	
Lage doorstroming van het water	Controleer of de zeefkorven vuil zijn.
	Controleer of er lucht ontsnapt bij de zuigkant.
	Controleer op beperkingen of blokkades in de zuig- en terugvoerbuizen.
	Systeemfilter moet worden gereinigd of vervangen.
	Niveau zwembadwater te laag.
	Pomp zuigt geen water aan.
	Pompschoepen geblokkeerd.
	Zeefkorven zijn niet in gebruik en/of worden niet regelmatig gereinigd.
Pompsnelheid te laag (lage stroomspanning).	
Korte filtercycli	Algen aanwezig, controleer inhoud ontsmettingsmiddel.
	Controleer pH-waarde en concentratie totale alkaliteit.
	Pompcapaciteit overschrijdt ontwerp-debiet van het filter, controleer pompprestatie.
	Ondoeltreffende reiniging, controleer omstandigheden bezinkselkamer.
Hoge druk bij het opstarten	Te kleine aansluiting in zwembad/spa.
	Gedeeltelijk gesloten ventiel op terugvoerbuis.
	Te grote pomp, controleer selectie.

GARANTIE

MultiCyclone valt onder een garantie van 3 jaar. Commerciële installaties vallen onder een garantie van 1 jaar.

Zie de garantievoorwaarden van Waterco.



Índice

REGRAS DE SEGURANÇA GERAIS	71
MULTICYCLONE	72
CURVA DE PERDA DE CARGA TOTAL DO MULTICYCLONE ...	74
INSTALAÇÃO	74
PROCEDIMENTO DE ARRANQUE	78
MANUTENÇÃO DO FILTRO DO MULTICYCLONE	79
PRESSÃO DE ÁGUA INSUFICIENTE	80
GUIA DE MANUTENÇÃO GERAL	81
PREPARAÇÃO PARA O INVERNO	82
GUIA DE RESOLUÇÃO DE PROBLEMAS	83
GARANTIA	83

REGRAS DE SEGURANÇA GERAIS

1. As máquinas e os equipamentos referidos no manual foram especificamente concebidas para pré-filtragem e recirculação de água em piscinas.
2. Foram concebidos para funcionar com água limpa a uma temperatura não superior a **45 graus Celsius (113 graus Fahrenheit)**.
3. A instalação deve ser realizada de acordo com as instruções de segurança para piscinas, **sobretudo em conformidade com a norma HD 60364-7-702**, e com as instruções específicas para cada instalação.
4. As regras aplicáveis na prevenção de acidentes devem ser cumpridas rigorosamente.
5. Qualquer modificação à bomba requer a **autorização prévia do fabricante**. As peças e acessórios sobresselentes originais autorizadas pelo fabricante garantem um elevado nível de segurança. O fabricante da bomba não assume nenhum tipo de responsabilidade por danos e ferimentos **provocados por peças e acessórios sobresselentes não autorizados**.
6. Durante o funcionamento, algumas peças da bomba e de outros equipamentos encontram-se sob tensão elétrica perigosa. Apenas é possível realizar trabalhos na bomba ou no equipamento ligado à mesma depois de **os desligar da alimentação elétrica e de desligar o dispositivo de arranque**.
7. O utilizador deve assegurar que as tarefas de montagem e manutenção são realizadas por **pessoas qualificadas e autorizadas**, e que essas pessoas leem as instruções de serviço e instalação atentamente antes de iniciar os trabalhos.
8. A segurança operacional da bomba e de outros equipamentos apenas é garantida se as instruções de instalação e serviço forem devidamente cumpridas.
9. Os valores-limite indicados na ficha técnica **não devem ser excedidos em nenhum caso**.
10. Em caso de problemas de funcionamento ou avarias, contacte o departamento de apoio técnico do fabricante ou dos agentes autorizados mais próximos.
11. Se o cabo de alimentação estiver danificado, deve ser substituído por um agente de serviço autorizado.
12. O aparelho não se destina a utilização por pessoas (e crianças) com capacidades físicas, sensoriais ou mentais reduzidas ou falta de experiência e conhecimento, a menos que estejam sob supervisão ou tenham recebido instruções relativas à utilização do aparelho, de uma pessoa responsável pela sua segurança, e compreendam os perigos envolvidos.
13. Este aparelho não deve ser utilizado por crianças pequenas. As crianças devem ser supervisionadas, de modo a garantir que não brincam com o aparelho.
14. Todos os trabalhos na cablagem (elétrica) devem ser realizados por eletricistas qualificados e de acordo com as normas locais.
15. Se a bomba e/ou outros equipamentos se destinarem a ser instalados numa piscina ou num lago, é obrigatória a instalação de um disjuntor de fuga para a terra com uma corrente de corte nominal não superior a 30 mA.
16. Desligue sempre o aparelho da alimentação elétrica antes de o montar, desmontar ou limpar.
17. Em condições de gelo, a água deve ser completamente drenada do corpo da bomba ao abrir os bujões de purga no corpo da bomba.

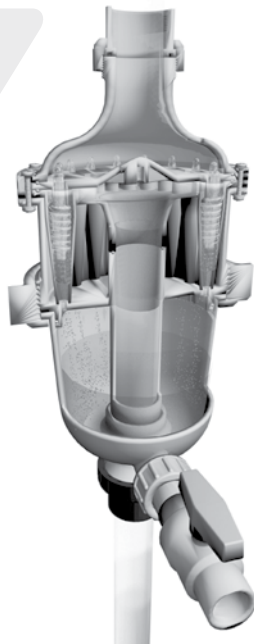
Para utilização na Europa:

1. Este aparelho não se destina a utilização por pessoas (e crianças com idade igual ou superior a 8 anos) com capacidades físicas, sensoriais ou mentais reduzidas ou falta de experiência e conhecimento, a menos que estejam sob supervisão ou tenham recebido instruções relativas à utilização do aparelho, de uma pessoa responsável pela sua segurança.
2. As crianças devem ser supervisionadas, de modo a garantir que não brincam com o aparelho.
3. A limpeza e a manutenção por parte do utilizador não devem ser feitas por crianças sem supervisão.

MULTICYCLONE

O MultiCyclone é um excepcional dispositivo de pré-filtragem que pode ajudar a poupar água e reduzir a necessidade de manutenção do filtro da piscina. Com base nos princípios da filtragem centrífuga de água, o MultiCyclone filtra até 80% da carga de sujidade da piscina antes de a mesma chegar ao filtro da piscina, necessitando apenas de 15 litros (4 galões) de água para a limpeza.

- Reduz a necessidade de manutenção do filtro e ajuda a poupar água.
- Não possui material filtrante para limpeza ou substituição.
- Vários hidrociclones.
- Adequado para instalações novas e existentes.



Filtragem centrífuga de água

A água entra de forma tangencial nos vários hidrociclones, gerando um forte efeito centrífugo. Aproximadamente 80% da carga de sujidade de entrada desce em espiral até à câmara de sedimentos transparente. A água de saída de limpeza final é conduzida para a piscina através do sistema de filtragem.

Manutenção simples

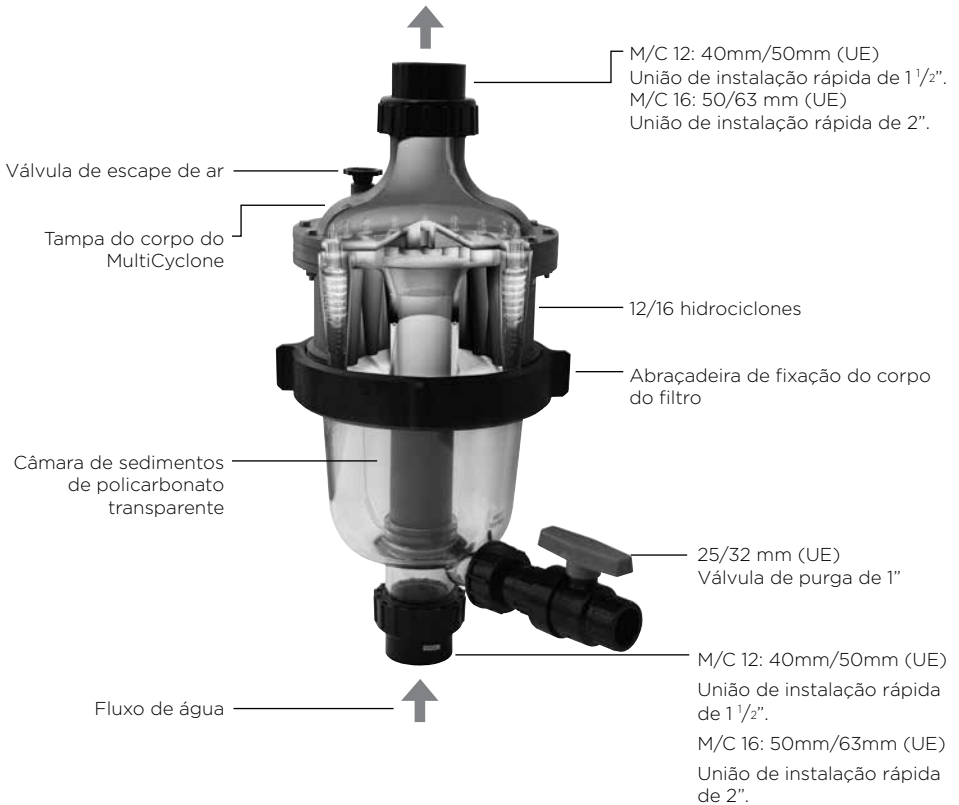
A câmara de sedimentos do MultiCyclone é facilmente limpa ao abrir a respetiva válvula de purga. São apenas descarregados 15 litros (4 galões) de água.

Redução da frequência de contralavagem dos filtros

A instalação de um MultiCyclone como pré-filtro de um filtro de areia pode reduzir a frequência de contralavagem para uma vez por ano, resultando numa poupança de até 7000 litros (1850 galões) de água por ano, no caso de uma piscina doméstica de média dimensão.

Redução da necessidade de limpeza e substituição do cartucho do filtro

A instalação de um MultiCyclone como pré-filtro de um filtro de cartucho pode reduzir a necessidade de limpeza e substituição do cartucho para uma vez por estação e mesmo até uma vez por ano, consoante o tamanho do filtro de cartucho.

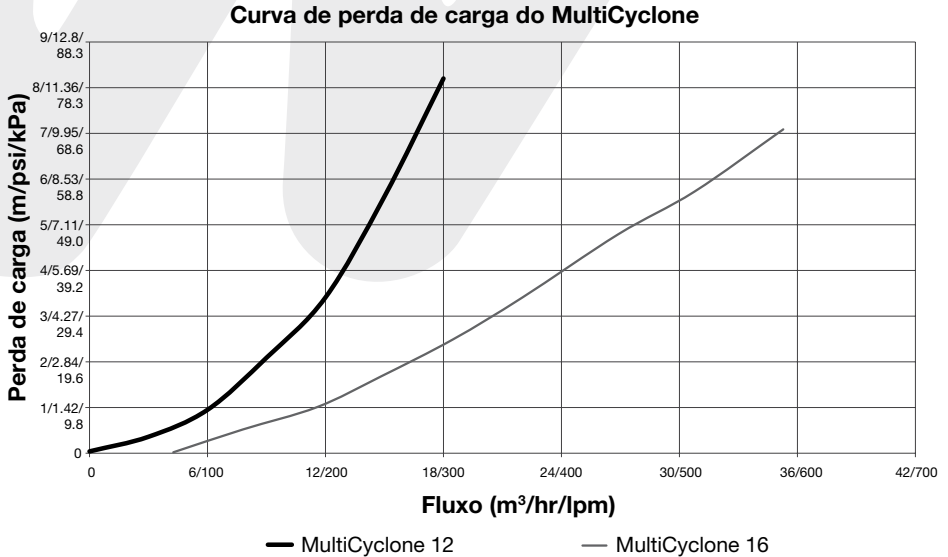


A acumulação de sedimentos pode ser monitorizada visualmente na câmara de sedimentos transparente do MultiCyclone. Para limpar a câmara de sedimentos do MultiCyclone, basta abrir a válvula de purga. São apenas descarregados 15 litros (4 galões) de água para remover os sedimentos do MultiCyclone.

Nota: a secção centrífuga destina-se a filtrar sedimentos mais pesados do que a água, pelo que detritos flutuantes não podem ser filtrados pela filtragem centrífuga.

Modelo	Portas de ligação	Fluxo mínimo	Fluxo máximo	Pressão máxima
MultiCyclone 12	40mm/50mm mm (UE)/união de instalação rápida de 1 1/2"	40lpm/2,4 m ³ /hr/ 1lpm	300lpm/18m ³ /hr/ 79gpm	350 kPa (50psi)
MultiCyclone 16	mm (UE)/união de instalação rápida de 2"	50lpm/3 m ³ /hr/ 13gpm	500lpm/30m ³ /hr/ 132gpm	350 kPa (50psi)

CURVA DE PERDA DE CARGA TOTAL DO MULTICYCLONE PLUS



INSTALAÇÃO

Cumpra os códigos de canalização locais.

Todas as medidas para eliminação de águas residuais devem cumprir os códigos locais, regionais ou nacionais. Não descarregue água em locais onde isso possa causar inundações ou danos.

Se a pressão da água de entrada for superior à pressão máxima de funcionamento de 350 kPa/3,5 bar/50 psi, deve ser instalada uma válvula de regulação de pressão (PRV) a montante da entrada do filtro.

A PRV deve ser definida para 90% da pressão máxima de funcionamento do depósito.

Se o fluxo da água de entrada for inferior aos requisitos mínimos de fluxo do filtro, a eficiência de filtragem do filtro será afetada, pelo que deve contactar a Waterco.

Instalação típica

1. Coloque o filtro o mais próximo possível da piscina/do spa.
2. Coloque o filtro onde não exista risco de inundações, longe de depósitos, esgotos, depressões no jardim, etc.
3. Coloque o filtro num local onde o acesso às ligações de tubagem, à válvula de purga e à válvula de escape de ar seja conveniente para o funcionamento, a manutenção e a preparação para o inverno.
4. Certifique-se de que a etiqueta de conformidade está voltada para a frente para uma identificação fácil.
5. O filtro deve ser colocado numa laje de betão nivelada, solo bem firme ou equivalente. Certifique-se de que o solo não irá afundar, para impedir a criação de tensão na tubagem.
6. Confirme se não há movimentos do filtro durante o funcionamento da válvula de purga.
7. Deixe espaço suficiente em redor do filtro para permitir a inspeção visual de todo o sistema.

*NOTA: OS FILTROS DE DIATOMÁCEA NECESSITAM DE UM BYPASS.



Instalação típica com um filtro



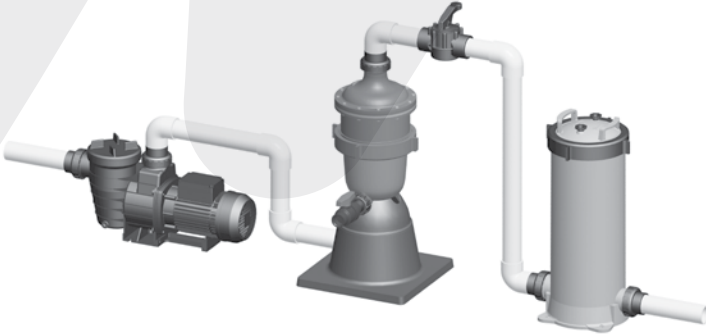
Instalação típica com um filtro de cartucho



Instalação típica com um filtro de diatomácea

Suporte de montagem opcional

Está também disponível um suporte de montagem opcional para situações em que não seja possível instalar o MultiCyclone diretamente acima da bomba da piscina.



Instalação com suporte de montagem opcional

Canalização

1. Verifique se a pressão da água de entrada se encontra dentro dos limites recomendados de pressão de trabalho do filtro e certifique-se de que é instalada uma válvula redutora de pressão, caso utilize água da rede pública ou uma bomba de alta pressão.
2. Caso a bomba seja instalada 500 mm/20" acima do nível da água, deve ser instalada uma válvula de pé/válvula antirretorno.
3. Se o filtro for instalado abaixo do nível da água ou ligado à água da rede pública, as válvulas de isolamento devem ser instaladas na entrada e saída do filtro. Isto irá impedir o fluxo de água durante a manutenção de rotina.
4. Reduza o comprimento do tubo e o número de acessórios de ligação para minimizar as restrições ao fluxo de água.
5. Assegure que todas as ligações de canalização estão fixadas com cola e apertadas de forma segura para evitar fugas.
6. Os solventes não devem ser aplicados em excesso nos acessórios de ligação, uma vez que podem passar para os O-rings e criar problemas de vedação.
7. Não aperte os acessórios de ligação ou adaptadores em demasia.

Enrosque as meias-uniões e as extremidades fornecidas na entrada e na saída antes de colar a tubagem de UPVC no filtro.

⚠ CUIDADO

Nota: não utilize vedante líquido ou fita nas roscas da entrada ou da saída do MultiCyclone, ou nas roscas das uniões de ligação para ligar as roscas das uniões de ligação.

Utilize apenas a cola recomendada para o tubo e os acessórios de ligação

Corte e coloque o tubo e os acessórios de ligação no MultiCyclone e na bomba. **Consulte** o Manual de instalação da bomba para obter os procedimentos de canalização da bomba corretos.

Recomenda-se colocar o tubo e os acessórios de ligação cortados no sistema de filtragem **antes** da colagem. Isso irá garantir o **alinhamento** correto do sistema.

Cole o tubo e os acessórios de ligação à bomba, ao filtro e aos tubos de retorno da piscina, e **deixe** a cola secar **durante 24 horas** antes de colocar o sistema a funcionar.

Ligação da canalização

1. Caso a bomba seja instalada 500 mm/20" acima do nível da água, deve ser instalada uma válvula de pé/válvula antirretorno.
2. Se o filtro for instalado abaixo do nível da água ou ligado à água da rede pública, as válvulas de isolamento devem ser instaladas na entrada e saída do filtro. Isto irá impedir o fluxo de água durante a manutenção de rotina.
3. Reduza o comprimento do tubo e o número de acessórios de ligação para minimizar as restrições ao fluxo de água.
4. Ligue o tubo que se estende da saída da bomba até à entrada do MultiCyclone.
5. Ligue o tubo que se estende da saída do MultiCyclone até ao próximo componente alinhado com o sistema de filtragem.
6. Cole todas as canalizações aos acessórios de união de acordo com as especificações do fabricante da cola (solvente) e deixe secar durante 24 horas. A cola (solvente) não deve ser aplicada em excesso nos acessórios de ligação, uma vez que pode passar para os O-rings e criar problemas de vedação.

Nota: a Waterco recomenda que seja instalada uma válvula de corte após o MultiCyclone no tubo de retorno da piscina para ajudar a expulsar os detritos recolhidos. Consulte "Pressão de água insuficiente".

7. Proceda à ligação ao tubo de resíduos. Cole a canalização da válvula de purga de sedimentos a um tubo de resíduos, um dreno ou uma área de drenagem adequada.
8. Ligue a bomba da piscina. Verifique se não existem fugas nos conectores. Se necessário, aperte manualmente.

PROCEDIMENTO DE ARRANQUE

O MultiCyclone é um sistema de filtragem avançado e altamente eficiente que irá proporcionar anos de serviço sem problemas, desde que os procedimentos de manutenção seguintes sejam respeitados.

O arranque inicial do sistema de filtragem ou após a limpeza é exatamente igual.

1. Assegure que a canalização do MultiCyclone está correta.
2. Verifique se todas as válvulas instaladas antes e após o MultiCyclone estão abertas.
3. Desaperte a válvula de escape de ar na parte superior do filtro do MultiCyclone.
4. Ferre a bomba da piscina (consulte o manual de instalação e utilização da bomba).
5. Ligue a bomba da piscina e deixe-a a funcionar até que todo o ar seja expelido do MultiCyclone. A água passará pela válvula de escape de ar.
6. Aperte novamente a válvula de escape de ar.
7. O filtro está ferrado e pronto a utilizar.

Nota: em alguns casos, poderá ser necessário efetuar este procedimento algumas vezes para que a unidade fique ferrada e totalmente operacional.

CUIDADO

Não se coloque por cima da parte superior do MultiCyclone ao ajustar a válvula de escape de ar para purgar o ar do sistema.

Poderão ocorrer ferimentos se a válvula de escape de ar ficar solta.

MANUTENÇÃO DO FILTRO DO MULTICYCLONE

A manutenção do filtro do MultiCyclone é determinada de acordo com as seguintes condições:

1. A câmara de sedimentos está parcialmente cheia com sedimentos. Esta acumulação de sedimentos pode ser monitorizada visualmente na câmara de sedimentos transparente do MultiCyclone. Para limpar o MultiCyclone, basta abrir a válvula de purga. São apenas descarregados 15 litros (4 galões) de água para remover os sedimentos do MultiCyclone..

Expulsar os sedimentos da câmara

Com a bomba a funcionar:

Enquanto a bomba está a funcionar, basta abrir a válvula de purga de sedimentos até estes serem expulsos. Isso é visível na câmara de sedimentos transparente. Após a expulsão dos sedimentos, feche a válvula de purga.

Sem a bomba a funcionar:

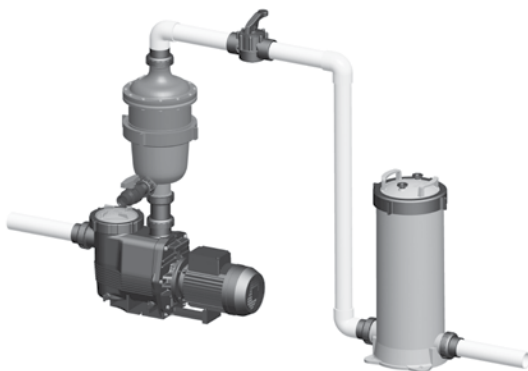
Em alternativa, desligue a bomba. Abra a válvula de escape de ar e, em seguida, abra a válvula de purga. A água irá descer do MultiCyclone e expulsar a maior parte dos detritos da câmara de sedimentos. Em seguida, feche a válvula de escape de ar e ligue a bomba para que a turbulência da água que entra na câmara de sedimentos expulse o resto dos sedimentos. Após a limpeza da câmara de sedimentos, feche a válvula de purga, ligue a bomba e feche a válvula de escape de ar quando a água fluir através dela.

PRESSÃO DE ÁGUA INSUFICIENTE

Nas situações em que o fluxo de água da bomba não seja suficientemente forte, purgue os sedimentos da câmara de sedimentos. A Waterco recomenda a instalação de uma válvula de 2 vias após o MultiCyclone no tubo de retorno de água da piscina.

A válvula de 2 vias é utilizada para estrangular o fluxo da água de saída do MultiCyclone, aumentando a turbulência da água através da câmara de sedimentos e melhorando a ação de purga.

Com a bomba a funcionar, abra a válvula de purga e feche parcialmente a válvula de 2 vias para estrangular o fluxo de água o suficiente a fim de purgar os sedimentos retidos na câmara de sedimentos. Após a limpeza da câmara de sedimentos, abra a válvula de 2 vias e feche a válvula de purga.

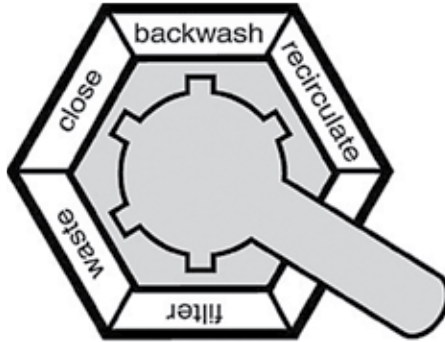


Instalação com válvula de corte de 2 vias Filtro de cartucho

⚠ CUIDADO

Não feche a válvula de 2 vias antes de abrir a válvula de purga e não feche a válvula de purga com a válvula de 2 vias fechada ou parcialmente fechada. Ambas as válvulas nunca devem ser fechadas ou parcialmente fechadas em simultâneo.

Se o MultiCyclone for instalado como pré-filtro num filtro, o fluxo de água para o filtro pode ser fechado com a válvula multiportas do filtro.*



***NOTA:** Esta posição não está disponível em válvulas multiportas de 4 vias.

GUIA DE MANUTENÇÃO GERAL

Para garantir a vida útil máxima do MultiCyclone, siga os procedimentos abaixo:

1. Monitorize visualmente o MultiCyclone na câmara de sedimentos transparente. Limpe a câmara de sedimentos quando estes estiverem acumulados até metade.
2. Mantenha um equilíbrio químico correto da água da sua piscina/spa. O equilíbrio químico da água é uma relação entre o seu pH, alcalinidade total, dureza do cálcio e temperatura da água. A água deve ser sempre mantida nos seguintes valores:

NÍVEL DE PH	: ENTRE 7,2 E 7,8.
ALCALINIDADE TOTAL	: ENTRE 80 E 150 ppm.
DUREZA DO CÁLCIO	: ENTRE 150 E 300 ppm.

Além disso, dentro destas tolerâncias, deve ser equilibrada de acordo com o índice de saturação de Langelier, dentro de um intervalo de $-0,2$ a $+0,2$.

Nota: Estão disponíveis kits de teste para que possa testar a água autonomamente ou, como alternativa, levar uma amostra da água a uma loja profissional de piscinas e spas.

3. As fontes de água rurais e da rede pública têm de ser monitorizadas. A saturação (duração) na água da rede pública ou num poço (rural) irá variar consoante a qualidade da água.
4. Para evitar danificar a bomba e o filtro e para garantir um funcionamento adequado do sistema, limpe regularmente o filtro da bomba e os cestos do separador.
5. Substitua o manómetro, caso se verifiquem leituras incorretas..

PREPARAÇÃO PARA O INVERNO

Devem ser sempre efetuados os procedimentos adequados para proteger o filtro em climas frios (temperaturas inferiores ao ponto de congelamento).

1. Desligue a bomba/Feche a válvula de entrada.
2. Abra a válvula de escape de ar e a válvula de purga para permitir que a água saia do MultiCyclone.
 - a. Filtro: desloque a pega da válvula multiportas para a posição de preparação para o inverno (entre o filtro e os resíduos).
 - b. Filtro de cartucho: abra a válvula de escape de ar. Isto irá permitir que o ar passe por todas as portas.
3. Retire todos os bujões de purga da bomba.
4. Drene a água da tubagem.

GUIA DE RESOLUÇÃO DE PROBLEMAS

Sintomas	Possíveis problemas/Soluções
A água não está limpa	Nível de desinfetante insuficiente.
	Composição química na água incorreta.
	Cargas elevadas de sujidade e/ou utilização intensiva.
	Fluxo incorreto.
	Tempo de funcionamento insuficiente (aumente o tempo de funcionamento da bomba).
	O filtro está sujo (limpe de acordo com as instruções).
	Elemento do filtro perfurado.
	Fugas de ar no tubo de sucção.
	Alhetas do rotor da bomba bloqueadas.
	Outras restrições, incluindo resistência (nos filtros de sucção da piscina) de outro equipamento nos tubos, como depuradores.
Não ocorreu o processo de ferragem da bomba.	
O fluxo de água é reduzido	Verifique se existem detritos nos cestos dos depuradores.
	Verifique se existem fugas de ar no lado de sucção.
	Verifique se existem restrições ou obstruções nos tubos de sucção ou de retorno.
	É necessário limpar ou substituir o filtro do sistema.
	Nível da água da piscina demasiado baixo.
	Não ocorreu o processo de ferragem da bomba.
	Alhetas do rotor da bomba bloqueadas.
	Os cestos dos depuradores não são utilizados e/ou limpos regularmente.
Funcionamento da bomba com velocidade reduzida (baixa tensão).	
Ciclos de filtragem curtos	Presença de algas, verifique o conteúdo do desinfetante.
	Verifique o pH e a alcalinidade total.
	A saída da bomba excede a taxa de fluxo prevista do filtro, verifique o desempenho da bomba.
	Limpeza ineficaz, verifique as condições da câmara de sedimentos.
Pressão elevada no arranque	Acessório de ligação pequeno na piscina/no spa.
	Válvula parcialmente fechada no tubo de retorno.
	Bomba demasiado grande, verifique a seleção.

GARANTIA

O MultiCyclone está coberto por uma garantia de 3 anos. As instalações comerciais estão cobertas por uma garantia de 1 ano.

Consulte os termos e condições da garantia da Waterco.



Sommario

NORME DI SICUREZZA GENERALI	85
MULTICYCLONE	86
CURVA DI PERDITA DI CARICO TOTALE DEL MULTICYCLONE	88
INSTALLAZIONE	88
PROCEDURE DI AVVIO	92
MANUTENZIONE DEL FILTRO DEL MULTICYCLONE	93
PRESSIONE DELL'ACQUA INSUFFICIENTE	94
GUIDA ALLA MANUTENZIONE GENERALE	95
PREPARAZIONE DEL FILTRO PER L'INVERNO	96
GUIDA ALLA RISOLUZIONE DEI PROBLEMI	97
GARANZIA	97

NORME DI SICUREZZA GENERALI

1. Le attrezzature e gli apparecchi descritti nel manuale sono stati progettati specificamente per la filtrazione e il ricircolo dell'acqua delle piscine.
2. Sono stati progettati per l'utilizzo con acqua pulita e a una temperatura non superiore a **45° Celsius (113° Fahrenheit)**.
3. Eseguire l'installazione in conformità alle istruzioni di sicurezza delle piscine, **in particolare alla norma HD 60364-7-702** e alle istruzioni specifiche di ogni impianto.
4. Le norme antinfortunistiche in vigore devono essere rispettate e seguite con la massima attenzione.
5. Qualsiasi modifica da apportare alla pompa deve essere **precedentemente approvata dal produttore**. L'utilizzo di ricambi originali e di accessori autorizzati dal produttore garantisce un elevato livello di sicurezza. Il produttore della pompa non si assume alcuna responsabilità per eventuali danni o lesioni **causati da ricambi e accessori non autorizzati**.
6. Durante il funzionamento, alcune parti della pompa e di altre attrezzature sono sottoposte a livelli di tensione elettrica pericolosi. Qualsiasi intervento su una pompa o sugli apparecchi a essa collegati deve essere eseguito unicamente dopo averli **scollegati dall'alimentazione di rete e dopo aver scollegato il dispositivo di avviamento**.
7. L'utente deve verificare che gli interventi di assemblaggio e manutenzione vengano eseguiti da **operatori qualificati e autorizzati**, e che gli operatori abbiano prima letto con attenzione le istruzioni di installazione e manutenzione.
8. Per garantire la sicurezza della pompa e di altre attrezzature quando sono in funzione, è necessario seguire correttamente le istruzioni di installazione e manutenzione.
9. I valori limite riportati nella tabella dei dati tecnici **non devono essere mai superati**.
10. In presenza di guasti o difetti, contattare il reparto per l'assistenza tecnica del produttore o il operatore autorizzato più vicino.
11. Se il cavo di alimentazione risulta danneggiato, chiedere a un operatore del servizio d'assistenza autorizzato di sostituirlo.
12. L'apparecchio non è stato pensato per essere utilizzato da persone (compresi i bambini) con ridotte capacità fisiche, sensoriali o mentali, o sprovviste dell'esperienza e delle conoscenze necessarie, a meno che non siano sotto la supervisione di un terzo responsabile della loro sicurezza o abbiano ricevuto da lui istruzioni su come utilizzare l'apparecchio.
13. Questo apparecchio non è stato pensato per essere utilizzato da bambini piccoli, che devono essere sempre tenuti sotto controllo per evitare che possano giocare con l'apparecchio.
14. Tutte le operazioni di cablaggio elettrico devono essere eseguite da elettricisti autorizzati e l'installazione deve avvenire in conformità con le normative in vigore a livello locale.
15. Se la pompa e/o altre attrezzature vengono installate in una piscina o in presenza di acqua, è obbligatorio installare un interruttore automatico differenziale con una corrente di intervento nominale non superiore a 30mA.
16. Prima di montarlo, smontarlo o pulirlo scollegare sempre l'apparecchio dall'alimentazione.
17. In caso di congelamento, l'acqua deve essere scaricata completamente dal corpo della pompa aprendo i relativi tappi di scarico.

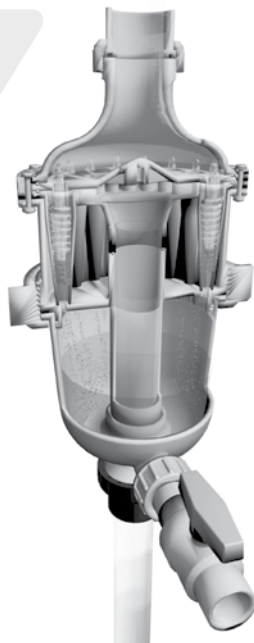
Per l'uso in Europa:

1. Questo apparecchio non è stato pensato per essere utilizzato da persone (compresi i bambini dagli 8 anni in su) con ridotte capacità fisiche, sensoriali o mentali, o sprovviste dell'esperienza e delle conoscenze necessarie, a meno che non siano sotto la supervisione di un terzo responsabile della loro sicurezza o abbiano ricevuto da lui istruzioni su come utilizzare l'apparecchio.
2. I bambini devono essere sempre tenuti sotto controllo per evitare che possano giocare con l'apparecchio.
3. La pulizia e la manutenzione da parte dell'utente non devono essere effettuate da bambini senza supervisione.

MULTICYCLONE

MultiCyclone è un eccezionale dispositivo di prefiltrazione che consente di risparmiare acqua e di ridurre al minimo la manutenzione del filtro della piscina. MultiCyclone, basato sui principi della filtrazione centrifuga dell'acqua, filtra fino all'80% dello sporco della piscina prima che arrivi al filtro e per effettuare la pulizia impiega solo 15 litri di acqua.

- Riduce al minimo la manutenzione del filtro e risparmia acqua.
- Nessun materiale filtrante da pulire o sostituire.
- Molteplici idrocycloni.
- Idoneo per impianti nuovi o già esistenti.



Filtrazione centrifuga dell'acqua

L'acqua in ingresso entra tangenzialmente nei molteplici idrocycloni, generando un potente effetto centrifugo. Circa l'80% dello sporco in ingresso viene trascinato in un vortice fino alla camera di sedimentazione trasparente. Infine l'acqua in uscita viene convogliata verso la piscina attraverso il sistema di filtrazione.

Manutenzione semplice

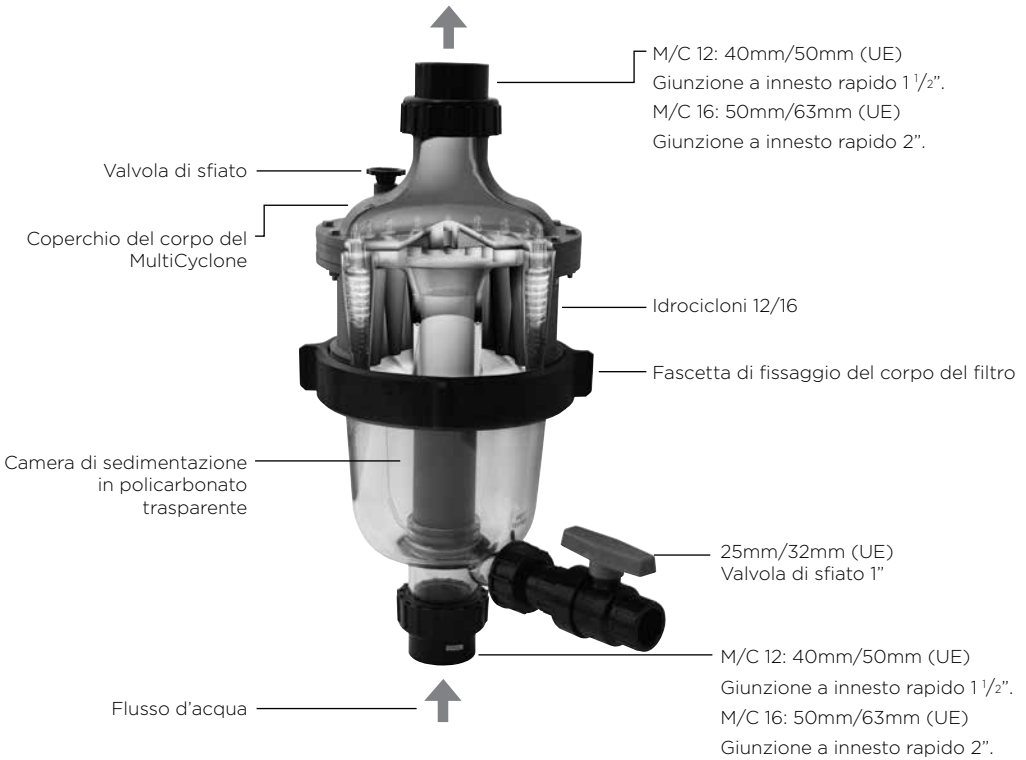
La camera di sedimentazione del MultiCyclone si pulisce facilmente aprendo la valvola di scarico. Vengono scaricati solo 15 litri d'acqua.

Riduce al minimo la frequenza di controlavaggio del materiale filtrante

L'installazione di un MultiCyclone come prefiltro di un filtro a sabbia può ridurre la frequenza di controlavaggio a una volta all'anno, con un risparmio fino a 7.000 litri d'acqua all'anno per una piscina residenziale di media grandezza.

Riduce al minimo la pulizia e la sostituzione della cartuccia del filtro

L'installazione di un MultiCyclone come prefiltro di una cartuccia del filtro può ridurre al minimo la pulizia e la sostituzione di quest'ultima fino a una volta per stagione balneare o addirittura fino a una volta all'anno, in base alle dimensioni della cartuccia.

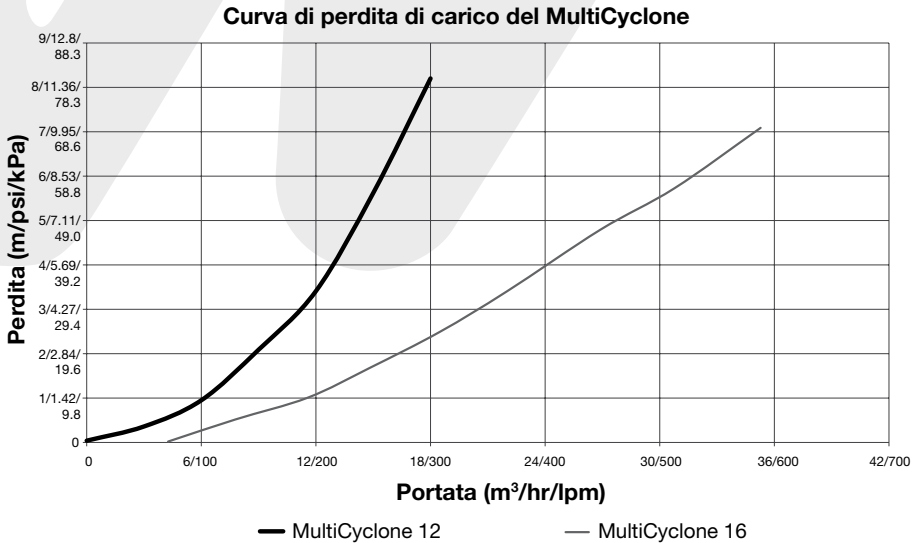


È possibile monitorare visivamente l'accumulo di sedimenti tramite la camera di sedimentazione trasparente del MultiCyclone. Per pulire la camera di sedimentazione del MultiCyclone basta aprire la valvola di scarico. Per rimuovere i sedimenti dal MultiCyclone vengono utilizzati solo 15 litri d'acqua.

Nota: la sezione centrifuga del MultiCyclone è stata progettata per filtrare i sedimenti più pesanti dell'acqua; con la filtrazione centrifuga non è possibile filtrare i detriti che galleggiano.

Modello	Porte di collegamento	Portata min.	Portata max.	Pressione max.
MultiCyclone 12	40mm/50mm (UE)/ Giunzione a innesto rapido 1 1/2"	40lpm/2,4 m ³ /hr/ 11gpm	300lpm/18m ³ /hr/ 79gpm	350 kPa (50psi)
MultiCyclone 16	50mm/63mm (UE)/ Giunzione a innesto rapido 2"	50lpm/3 m ³ /hr/ 13gpm	500lpm/30m ³ /hr/ 132gpm	350 kPa (50psi)

CURVA DI PERDITA DI CARICO TOTALE DEL MULTICYCLONE PLUS



INSTALLAZIONE

Accertarsi di rispettare i codici locali dell'impianto idraulico.

Accertarsi che tutte le disposizioni in materia di smaltimento delle acque reflue siano conformi ai codici locali, statali o nazionali. Non scaricare l'acqua in luoghi che potrebbero causare allagamenti o danni.

Se la pressione dell'acqua in ingresso è superiore alla pressione massima d'esercizio pari a 350kPa/3.5Bar/50psi, a monte dell'ingresso del filtro deve essere installata una valvola di regolazione della pressione (PRV).

La PRV deve essere impostata al 90% della pressione massima d'esercizio del serbatoio.

Se il flusso d'acqua in ingresso è inferiore ai requisiti di portata minima del filtro, l'efficienza di filtrazione del filtro risulterà compromessa: consultare Waterco.

Usuale installazione

1. Collocare il filtro il più vicino possibile alla piscina/vasca idromassaggio.
2. Collocare il filtro di modo che non si possa allargare, lontano da pozzetti, canali di scolo, avvallamenti, ecc.
3. Collocare il filtro di modo che le tubature, la valvola di scarico e la valvola di sfiato siano pratici e accessibili per operazioni di funzionamento, manutenzione e preparazione per l'inverno.
4. Assicurarsi che la targhetta di conformità sia rivolta verso il lato anteriore per consentire un'identificazione semplice.
5. Il filtro deve essere collocato su una lastra in calcestruzzo piana, un terreno molto stabile, o simili. Assicurarsi che il terreno non ceda, impedendo qualsiasi sollecitazione sulle tubature collegate.
6. Assicurarsi che non vi sia alcun movimento del filtro durante il funzionamento della valvola di scarico.
7. Consentire uno spazio sufficiente intorno al filtro al fine di permettere un'ispezione visiva dell'intero impianto.

*NOTA: I FILTRI A DIATOMEI NECESSITANO DI UN BYPASS



Usuale installazione con un filtro a materiale filtrante



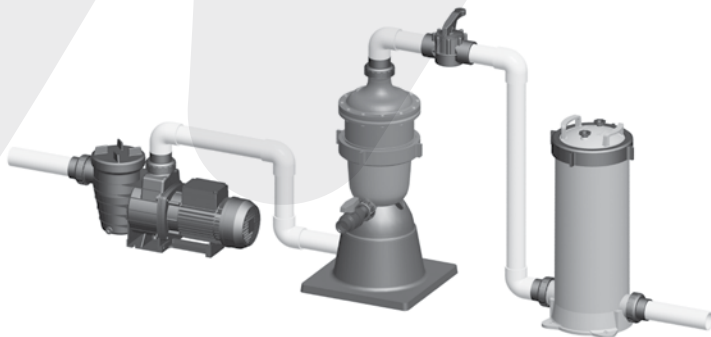
Usuale installazione con un filtro a cartucce



Usuale installazione con un filtro a diatomee

Supporto di montaggio facoltativo

È inoltre disponibile un supporto di montaggio facoltativo per i casi in cui non è possibile installare il MultiCyclone direttamente sopra la pompa della piscina.



Installazione con il supporto di montaggio facoltativo

Collegamento di tubature

1. Verificare che la pressione dell'acqua in ingresso rientri nella pressione di esercizio consigliata per il filtro e accertarsi che la valvola di limitazione della pressione sia installata se si utilizza acqua dalla rete idrica oppure una pompa ad alta pressione.
2. Accertarsi che una valvola a pedale/di non ritorno sia installata se la pompa è montata a 500 mm/20" sopra il livello dell'acqua.
3. Se il filtro è installato sotto il livello dell'acqua oppure collegato alla rete idrica, è necessario installare valvole di isolamento in corrispondenza dell'ingresso e dell'uscita del filtro. In questo modo, si previene il flusso di acqua durante un intervento di manutenzione di routine.
4. Ridurre al minimo la lunghezza della tubatura e il numero dei raccordi per limitare restrizioni al flusso di acqua.
5. Accertarsi che tutti i collegamenti idraulici siano incollati e serrati saldamente in modo da evitare perdite.
6. Accertarsi di non applicare quantità eccessive di solventi sui raccordi, in quanto possono scorrere sugli O-ring e creare problemi di tenuta.
7. Non serrare eccessivamente i raccordi o gli adattatori.

Prima di incollare le tubazioni in UPVC al filtro, avvitare all'ingresso e all'uscita le due metà del bocchettone e le code in dotazione.

ATTENZIONE

Nota: non utilizzare sigillante liquido o apposito nastro sulle filettature dell'attacco di ingresso o di uscita del MultiCyclone o sulle filettature del raccordo cilindrico.

Per il collegamento di tubi e raccordi, usare esclusivamente la colla consigliata.

Tagliare e montare il tubo e i raccordi sul MultiCyclone e la pompa. Per sapere quali sono le corrette procedure idrauliche della pompa, **consultare** il Manuale di installazione della pompa.

Prima di incollarli, **si consiglia** di montare tutti i tubi e i raccordi tagliati sul sistema di filtrazione, in modo da essere certi che il sistema **risulti allineato** correttamente.

Incollare i tubi e i raccordi alla pompa, al filtro e alle linee di ritorno della piscina e, prima di mettere in funzione il sistema, **lasciare** che la colla faccia presa **per 24 ore**.

Collegamento idraulico

1. Accertarsi che una valvola a pedale/di non ritorno sia installata se la pompa è montata a 500 mm/20" sopra il livello dell'acqua.
2. Se il filtro è installato sotto il livello dell'acqua oppure collegato alla rete idrica, è necessario installare valvole di isolamento in corrispondenza dell'ingresso e dell'uscita del filtro. In questo modo, si previene il flusso di acqua durante un intervento di manutenzione di routine.
3. Ridurre al minimo la lunghezza della tubatura e il numero dei raccordi per limitare restrizioni al flusso di acqua.
4. Collegare il tubo che va dall'uscita della pompa all'ingresso del MultiCyclone.
5. Collegare dal tubo che va dall'uscita del MultiCyclone al componente successivo in linea con il sistema di filtrazione.
6. Incollare tutte le tubature ai raccordi cilindrici seguendo le specifiche del produttore della colla (solvente) e lasciare che faccia presa per 24 ore. Accertarsi di non applicare quantità eccessive di colla (solvente) sui raccordi, in quanto possono scorrere sugli O-ring e creare problemi di tenuta.

Nota: Waterco consiglia vivamente di installare una valvola di chiusura dopo il MultiCyclone sulla linea di ritorno della piscina in modo da facilitare l'espulsione dei detriti raccolti. Consultare il capitolo "Pressione dell'acqua insufficiente".

7. Collegare alla linea di scarico. Incollare il tubo dalla valvola di scarico dei sedimenti a una linea di scarico, a uno spurgo o a un'adeguata area di drenaggio.
8. Accendere la pompa della piscina. Verificare che i connettori non perdano. Se necessario, stringere a mano.

PROCEDURA DI AVVIO

Il MultiCyclone è un sistema di filtrazione avanzato e altamente efficiente in grado di garantire un funzionamento senza problemi per anni se vengono rispettate le seguenti procedure di manutenzione.

La messa in funzione del sistema di filtrazione, sia da nuovo che dopo averlo pulito, è identica.

1. Verificare che il MultiCyclone sia collegato correttamente all'impianto idraulico.
2. Verificare che tutte le valvole installate prima e dopo il MultiCyclone siano aperte.
3. Allentare la valvola di sfiato in cima al filtro del MultiCyclone.
4. Adescare la pompa della piscina. (Consultare il manuale per l'installazione e il funzionamento della pompa).
5. Accendere la pompa della piscina e farla andare finché l'aria non è stata espulsa dal MultiCyclone. Dalla valvola di sfiato fuoriuscirà acqua.
6. Serrare di nuovo la valvola di sfiato.
7. Il filtro è adescato e pronto all'uso.

Nota: in alcuni casi può essere necessario ripetere questa operazione più volte prima che l'unità resti adescata e sia pienamente operativa.

ATTENZIONE

Non stare sopra i MultiCyclone mentre si regola la valvola di sfiato per evacuare l'aria dal sistema.

Se la valvola di sfiato si allenta ci si può fare male.

MANUTENZIONE DEL FILTRO DEL MULTICYCLONE

La manutenzione del filtro del MultiCyclone è determinata dalle seguenti condizioni:

1. La camera di sedimentazione è mezza piena di sedimenti. È possibile monitorare visivamente l'accumulo di sedimenti tramite la camera di sedimentazione trasparente del MultiCycloner. Per pulire il MultiCyclone basta aprire la valvola di scarico. Per rimuovere i sedimenti dal Multicyclone vengono utilizzati solo 15 litri d'acqua.

Sciacquare la camera di sedimentazione

Mentre la pompa è in funzione:

Mentre la pompa dell'acqua è in funzione, aprire la valvola di scarico dei sedimenti finché non sono stati sciacquati via. Si può verificare tramite la camera di sedimentazione trasparente. Una volta che i sedimenti sono stati sciacquati via, chiudere la valvola di scarico.

Mentre la pompa non è in funzione:

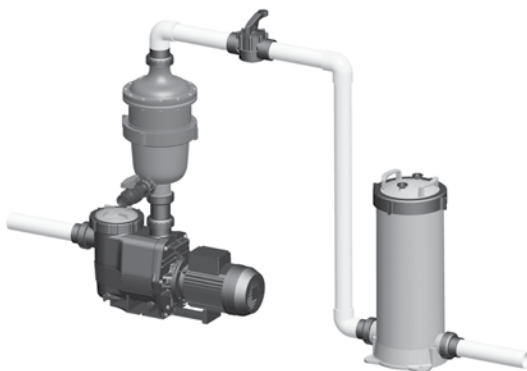
In alternativa, spegnere la pompa. Aprire la valvola di sfiato e poi la valvola di scarico. L'acqua scenderà attraverso il MultiCyclone sciacquando via la maggior parte dei detriti dalla camera di sedimentazione. Poi chiudere la valvola di sfiato e accendere la pompa: la forza dell'acqua che entra nella camera di sedimentazione sciaccherà via il resto dei sedimenti. Una volta pulita la camera di sedimentazione, chiudere la valvola di scarico, avviare la pompa e chiudere la valvola di sfiato appena l'acqua inizia ad uscire attraverso la valvola di sfiato.

PRESSIONE DELL'ACQUA INSUFFICIENTE

Il flusso d'acqua dalla pompa non è abbastanza potente da eliminare i sedimenti dalla camera di sedimentazione. Waterco consiglia di montare una valvola a 2 vie dopo il MultiCyclone sulla linea di ritorno dell'acqua della piscina.

La valvola a 2 vie serve a regolare il flusso dell'acqua in uscita dal MultiCyclone, aumentando la potenza dell'acqua attraverso la camera di sedimentazione e migliorando l'azione di spurgo.

Mentre la pompa è in funzione, aprire la valvola di scarico e poi chiudere parzialmente la valvola a 2 vie, regolando il flusso d'acqua abbastanza da eliminare i sedimenti intrappolati nella camera di sedimentazione. Una volta pulita la camera di sedimentazione, aprire la valvola a 2 vie e chiudere la valvola di scarico.

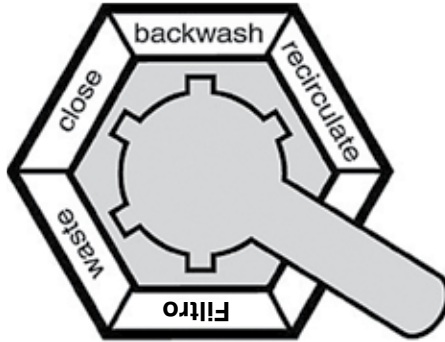


Installazione con filtro a cartuccia per valvola di intercettazione a 2 vie

⚠ ATTENZIONE

Non chiudere la valvola a 2 vie prima di aprire la valvola di scarico e non chiudere quest'ultima mentre la valvola a 2 vie è totalmente o parzialmente chiusa. Le due valvole non devono mai essere totalmente o parzialmente chiuse contemporaneamente.

Se il MultiCyclone viene installato come prefiltro per un filtro a materiale filtrante, è possibile chiudere il flusso dell'acqua verso il filtro a materiale filtrante tramite la relativa valvola multiporta.*



***NOTA:** Questa posizione non è disponibile sulle valvole multiporta a 4 vie.

GUIDA ALLA MANUTENZIONE GENERALE

Per garantire la durata utile massima del MultiCyclone, attenersi alle procedure indicate di seguito:

1. Monitorare visivamente tramite la camera di sedimentazione trasparente del MultiCycloner. Pulire la camera di sedimentazione quando è mezza piena di sedimenti accumulati.
2. Mantenere un corretto equilibrio chimico dell'acqua della propria piscina/vasca idromassaggio. L'equilibrio chimico dell'acqua è il rapporto tra il rispettivo pH, l'alcalinità totale, la durezza del calcio e la temperatura dell'acqua. L'acqua deve essere sempre mantenuta nelle condizioni seguenti:

LIVELLO DI pH	: COMPRESO TRA 7,2 E 7,8.
ALCALINITÀ TOTALE	: COMPRESA TRA 80 E 150 ppm.
DUREZZA DEL CALCIO	: COMPRESA TRA 150 E 300 ppm.

inoltre, entro queste tolleranze, risultare bilanciata in base all'indice di saturazione di Langelier, entro un intervallo compreso tra -0,2 e +0,2.

Nota: Per l'analisi dell'acqua sono disponibili kit fai-da-te, oppure, in alternativa, è possibile portare un campione d'acqua ad un rivenditore specializzato nel settore delle piscine e delle vasche idromassaggio.

3. È necessario monitorare la rete idrica e l'approvvigionamento d'acqua nelle zone rurali. La saturazione (durata) nell'acqua della rete idrica o nel pozzo (approvvigionamento rurale) varierà in funzione della qualità dell'acqua.
4. Per evitare danni alla pompa e al filtro e per un corretto funzionamento del sistema, eseguire regolarmente la pulizia del filtro della pompa e dei cestelli dello skimmer.
5. Sostituire il manometro se i valori letti su quest'ultimo risultano errati.

PREPARAZIONE DEL FILTRO PER L'INVERNO

Per proteggere il filtro nei climi freddi, è necessario adottare sempre procedure idonee (temperature inferiori allo zero).

1. Disinserire la pompa/chiedere la valvola d'ingresso.
2. Aprire la valvola di sfiato e la valvola di scarico in modo che l'acqua possa scorrere fuori dal MultiCyclone..
 - a. Per il filtro a materiale filtrante, mettere l'impugnatura della valvola multiporta in posizione Winterise (tra Filter e Waste)
 - b. Per il filtro a cartucce, aprire la valvola di sfiato. In questo modo l'aria fluirà da tutte le porte..
3. Rimuovere eventuali tappi di scarico dalla pompa.
4. Far fuoriuscire l'acqua dalle tubature.

GUIDA ALLA RISOLUZIONE DEI PROBLEMI

Problema	Possibili problemi/soluzioni
Acqua non limpida	Livello di disinfettante insufficiente.
	Chimica dell'acqua non corretta.
	Elevata presenza di bagnanti e/o di sporco.
	Portata errata.
	Tempo di funzionamento insufficiente. (Aumentare il tempo di funzionamento della pompa)
	Il filtro è sporco. (Pulire seguendo le istruzioni)
	Foro nell'elemento filtrante.
	Perdita di aria nella linea di aspirazione
	Alette bloccate della girante della pompa
	Altre restrizioni tra cui (detergenti di aspirazione della piscina) resistenza da altre apparecchiature in linea, come setacci.
Mancato adescamento della pompa.	
Flusso dell'acqua ridotto	Controllare che i cestelli del filtro non siano sporchi.
	Verificare che non ci siano perdite d'aria sul lato di aspirazione.
	Verificare che non ci siano restringimenti od ostruzioni nelle linee di aspirazione o di ritorno.
	Il sistema di filtrazione deve essere pulito o sostituito.
	Livello dell'acqua della piscina troppo basso.
	Mancato adescamento della pompa.
	Alette bloccate della girante della pompa.
	I cestelli del filtro non vengono utilizzati e/o non vengono puliti regolarmente.
La pompa funziona a velocità ridotta (bassa tensione).	
Cicli brevi di filtrazione	Presenza di alghe, controllare il contenuto di disinfettante.
	Controllare il pH e l'alcalinità totale.
	La potenza della pompa è superiore alla portata prevista del filtro: controllare le prestazioni della pompa.
	Pulizia inefficace: controllare le condizioni della camera di sedimentazione.
Pressione elevata all'avvio	Piccolo regolatore a bulbo nella piscina/vasca idromassaggio.
	Valvola parzialmente chiusa sulla linea di ritorno.
	Pompa troppo grande, verificare la scelta.

GARANZIA

MultiCyclone ha una garanzia di 3 anni. Gli impianti commerciali hanno una garanzia di un anno.

Consultare i termini e le condizioni della garanzia Waterco.



Innehållsförteckning

ALLMÄNNA SÄKERHETSREGLER	99
MULTICYCLONE	100
TRYCKFALLSKURVA FÖR MULTICYCLONE	102
INSTALLATION	102
PROCEDUR VID UPSTART	106
UNDERHÅLL AV MULTICYCLONE-FILTER	107
OTILLRÄCKLIGT VATTENTRYCK	108
GUIDE FÖR ALLMÄNT UNDERHÅLL	109
VINTERSTÄLLNING	110
FELSÖKNINGSGUIDE	111
GARANTI	111

ALLMÄNNA SÄKERHETSREGLER

1. De maskiner och den utrustning som nämns i den här bruksanvisningen är särskilt utformade för förfiltrering och återcirkulation av vattnet i pooler.
2. De är konstruerade för att användas med rent vatten vid temperaturer under **45 grader Celsius (113 grader Fahrenheit)**.
3. Installationen ska genomföras i enlighet med gällande säkerhetsinstruktioner för pooler, i **synnerhet standarden HD 60364-7-702** och de enskilda instruktionerna för varje anläggning.
4. Reglerna gällande olycksförebyggande ska noggrant efterföljas.
5. Alla modifieringar av pumpen kräver **först godkännande av tillverkaren**. Originalreservdelar och tillbehör som godkänts av tillverkaren säkerställer hög säkerhet. Tillverkaren av pumpen ansvarar inte för skador och personskador som har **orsakats av ej godkända reservdelar och tillbehör**.
6. Under drift kommer vissa delar av pumpen och annan utrustning i kontakt med farlig elektrisk spänning. Arbete får endast utföras på pumpen eller utrustning som är ansluten till den när de har **kopplats bort från strömförsörjningen och startanordningen har kopplats ur**.
7. The user should make sure that assembly and maintenance tasks are carried out by **qualified authorised persons** and that these persons have first carefully read the instructions for service and installation.
8. Pumpens och utrustningens driftsäkerhet kan endast garanteras om instruktionerna för installation och service efterföljs.
9. De gränsvärden som anges i den tekniska tabellen **får under inga omständigheter överskridas**.
10. Kontakta avdelningen för teknisk support hos tillverkaren eller dess närmaste auktoriserade återförsäljare vid fel på pumpen eller driften av den.
11. IKontakta avdelningen för teknisk support hos tillverkaren eller dess närmaste auktoriserade återförsäljare vid fel på pumpen eller driften av den.
12. Produkten är inte avsedd att användas av personer (inklusive barn) med nedsatt fysisk, sensorisk eller mental funktionsförmåga, eller som har bristande kunskap och erfarenhet, såvida det inte sker under uppsikt eller de har fått instruktioner om hur produkten används av en person som är ansvarig för deras säkerhet och om de förstår de faror det innebär.
13. Produkten är inte avsedd att användas av små barn. Små barn ska hållas under uppsikt så att de inte leker med produkten.
14. All (elektrisk) installation ska utföras av en behörig elektriker och i enlighet med lokala bestämmelser.
15. Om pumpen eller annan utrustning ska installeras i en anordning för en pool eller damm är det obligatoriskt att en jordfelsbrytare med en nominell utlösning på maximalt 30 mA installeras.
16. Koppla alltid bort apparaten från strömförsörjningen före montering, isärtagning eller rengöring.
17. Vid minusgrader måste vattnet tömmas ut ur pumphöljet helt genom att öppna pumphöljets dräneringspluggar.

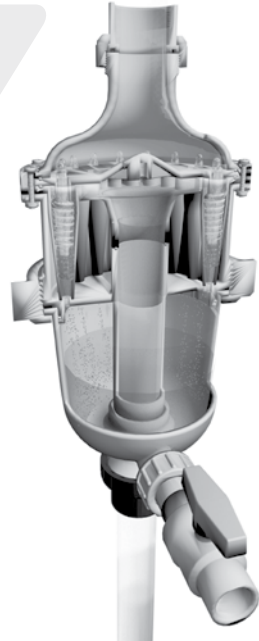
Vid användning i Europa:

1. Denna produkt är inte avsedd att användas av personer (inklusive barn från 8 år och uppåt) med nedsatt fysisk, sensorisk eller mental funktionsförmåga, eller som har bristande kunskap och erfarenhet, såvida det inte sker under uppsikt eller de har fått instruktioner om hur produkten används av en person som är ansvarig för deras säkerhet.
2. Barn ska hållas under uppsikt så att de inte leker med produkten.
3. Rengöring och användarunderhåll ska inte utföras av barn utan uppsikt.

MULTICYCLONE

MultiCyclone är en fantastisk för-filtreringsenhet som kan spara vatten och minimera underhållet av poolfiltret. MultiCyclone bygger på principerna för centrifugalkraftfiltrering och filtrerar upp till 80 % av smutsbelastningen i poolen innan det når poolfiltret och kräver endast 15 liter vatten för att rengöra.

- Minimerar filterunderhåll och sparar vatten.
- Inga filtermedia att rengöra eller byta ut.
- Flera cyklonavskiljare.
- Passar nya och befintliga installationer.



Vattenfiltrering med centrifugalkraft

Det inkommande vattnet tangentiellt i flera cyklonavskiljare, vilket skapar en stark centrifugaleffekt. Virka 80 % av den inkommande smutsbelastningen rör sig i en spiral ner mot den genomskinliga sedimentkammaren. Det utgående renade vattnet förs till poolen via filtreringssystemet.

Enkelt underhåll

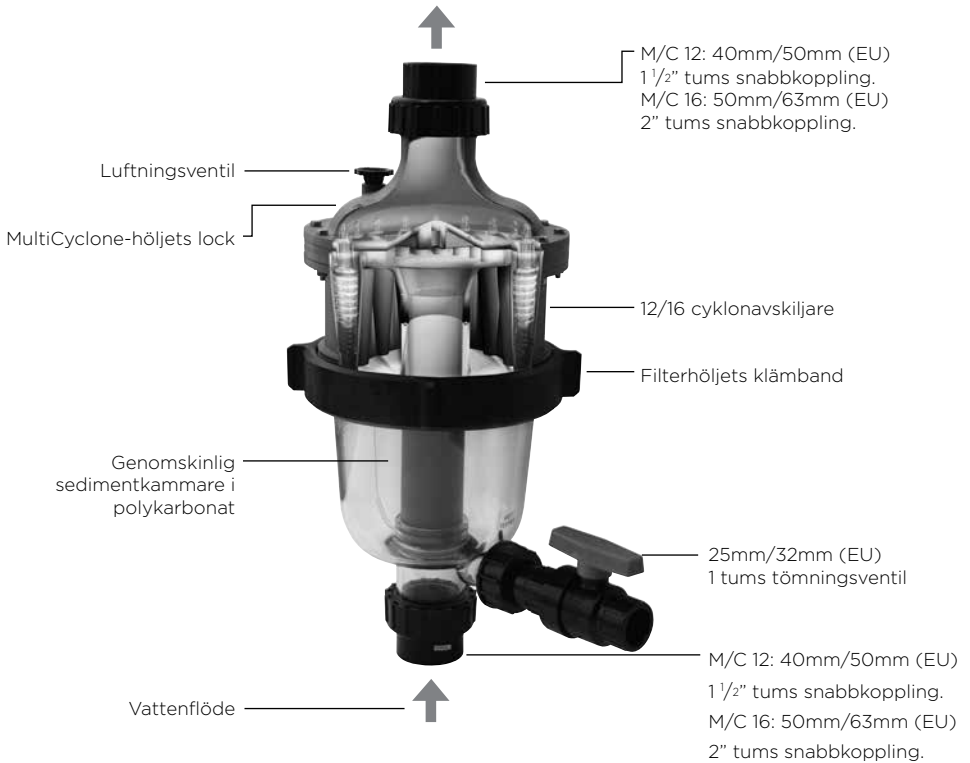
The MultiCyclone sediment chamber is easily cleaned by opening its purge valve. Only 15 litres (4 gallons) of water is discharged.

Minimera frekvensen för backspolning av filtermedia

Genom att installera en MultiCyclone som ett förfilter till ett sandfilter kan man minska frekvensen för backspolning till en gång per år, vilket ger en besparing på upp till 7 000 liter vatten per år för en genomsnittlig pool för privat bruk.

Minimera rengöring och byte av filterkassett

Genom att installera en MultiCyclone som ett förfilter till ett kassetfilter kan man minska rengöring och byte av filterkassett till en gång per badsäsong eller till och med upp till en gång per år, beroende på storleken på kassetfilter.

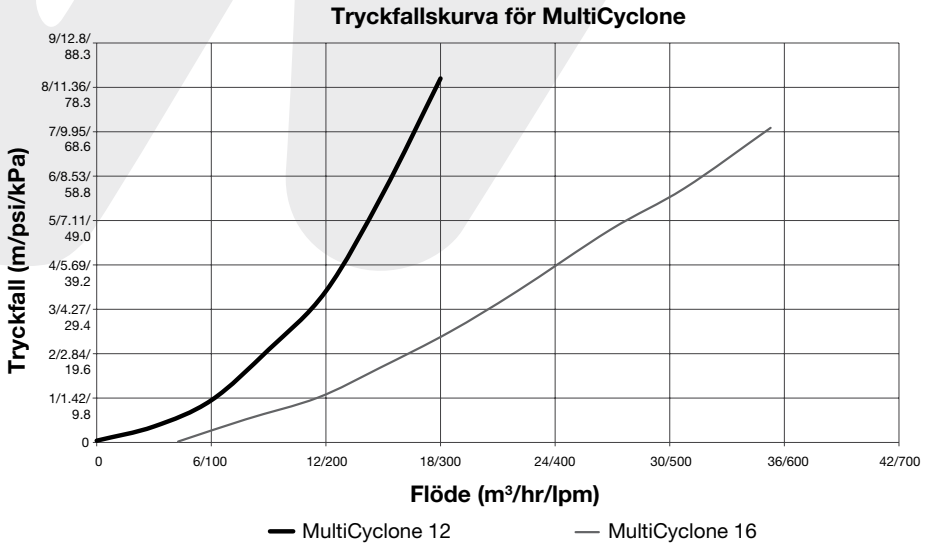


Akkumuleringen av sediment kan övervakas visuellt genom den genomskinliga sedimentkammaren i MultiCyclone. Sedimentkammaren i MultiCyclone rengörs genom att enkelt öppna tömningsventilen. Endast 15 liter vatten släpps ut för att rengöra MultiCyclone från sediment.

Obs! Centrifugaldelen av MultiCyclone har utformats för att filtrera sediment som är tyngre än vatten. Flytande skräp kan inte filtreras ut med hjälp av centrifugalfiltrering.

Modell	Kopplingar	Min. flöde	Max. flöde	Max. tryck
MultiCyclone 12	40mm/50mm (EU)/ 1 1/2 tums snabbkoppling	40lpm/2,4 m ³ /h	300lpm/18m ³ /h	350 kPa (50psi)
MultiCyclone 16	50mm/63mm (EU)/ 2" tums snabbkoppling	50lpm/3 m ³ /h	500lpm/30m ³ /h	350 kPa (50psi)

TRYCKFALLSKURVA FÖR MULTICYCLONE PLUS



INSTALLATION

Följ lokala föreskrifter för röranslutning.

Se till att all hantering av avloppsvatten uppfyller lokala och nationella föreskrifter. Släpp inte ut vatten där det kan orsaka översvämning eller skada.

Om det inkommande vattentrycket är högre än det maximala driftstrycket på 350 kPa/3,5 bar/50 psi måste en tryckreglerande ventil (PRV) installeras uppströms om filterinloppet.

Denna PRV bör ställas in på 90 % av tankens maximala driftstryck.

Om det inkommande vattenflödet är lägre än filtrets krav på minimalt flöde kommer filtrets filteringsseffekt att påverkas, rådgör med Waterco.

Vanlig installation

1. Placera filtret så nära poolen/spanläggningen som möjligt.
2. Placera filtret på en plats där det inte riskerar att översvämmas, d.v.s. borta från pumpgropar, diken, nedsänkningar i trädgårdar m.m
3. Placera filtret så att man kommer åt röranslutningens tömningsventil och luftningsventil för drift, underhåll och vinterställning.
4. Försäkra dig om att märkningen med föreskrifter är vänd framåt så att man enkelt kan identifiera produkten.
5. Filtret bör placeras på en jämn betongplatta, mycket stabil mark eller motsvarande. Försäkra dig om att marken inte kommer att sjunka genom att förebygga belastning från anslutna rör.
6. Försäkra dig om att filtret inte rör på sig när tömningsventilen hanteras.
7. Skapa tillräckligt mycket fritt utrymme runt filtret för att kunna göra en okulärbesiktning av hela systemet.

*OBS! DE-FILTER KRÄVER EN FÖRBIKOPPLING



Vanlig installation med ett mediafilter



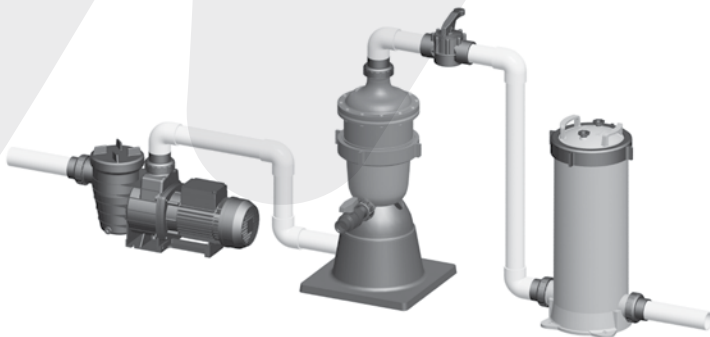
Vanlig installation med ett kassetfilter



Vanlig installation med ett DE-filter

Stativ som tillval

Det finns även ett stativ som tillval för situationer där MultiCyclone inte kan monteras direkt ovanför poolpumpen.



Installation med stativ som tillval

Rör

1. Kontrollera att ingående vattentryck befinner sig inom filtrets rekommenderade drifttryck och säkerställ att en tryckbegränsningsventil är installerad om du använder kommunalt vatten eller en högtryckspump.
2. Försäkra dig om att en bottenventil/backventil är installerad om pumpen är installerad 500 mm ovanför vattennivån.
3. Om filtret är installerat under vattennivån eller anslutet till kommunalt vatten bör avstängningsventiler installeras vid filtrets in- och utlopp. Det förhindrar vattenflöde vid rutinunderhåll.
4. Minimera rörlängd och antal kopplingar för att minimera begränsningar i vattenflödet.
5. Se till att alla rörkopplingar är tätade och säkert åtdragna för att förhindra läckage.
6. Försäkra dig om att inte för mycket lösningsmedel har applicerats på kopplingarna eftersom det kan rinna ner i o-ringar och orsaka tätningsproblem.
7. Dra inte åt kopplingar eller adaptrar för hårt.

Skruva in de medföljande unionkopplingarna och skarvarna i inloppet och utloppet innan du limmar fast UPVC-röret på filtret.

VARNING

Obs! Använd inte flytande lim eller gängtejp på gängorna till inloppet eller utloppets gängor på MultiCyclone eller gängorna på anslutande unionkoppling.

Använd endast rekommenderat lim för att ansluta rör och kopplingar

Skär till och passa in rör och kopplingar till MultiCyclone och pumpen. **Se** pumpinstallationshandboken för korrekt röranslutning av pumpen.

Det hör till **bästa praxis** att montera tillskurna rör och kopplingar i filtreringssystemet **innan man limmar fast dem**. Det säkerställer att systemet har **riktats in** ordentligt.

Limma fast rör och kopplingar på pumpen, filtret och poolens returledning och **låt limmet torka i 24 timmar** innan systemet tas i bruk.

Röranslutning

1. Försäkra dig om att en bottenventil/backventil är installerad om pumpen är installerad 500 mm ovanför vattennivån.
2. Om filtret är installerat under vattennivån eller anslutet till kommunalt vatten bör avstängningsventiler installeras vid filtrets in- och utlopp. Det förhindrar vattenflöde vid rutinunderhåll.
3. Minimera rörlängd och antal kopplingar för att minimera begränsningar i vattenflödet.
4. Anslut röret från pumputloppet till inloppet till MultiCyclone.
5. Anslut röret som går från utloppet på MultiCyclone till nästa komponent i filtreringssystemet.
6. Limma fast alla rör i unionkopplingar i enlighet med specifikationerna från tillverkaren av limmet (lösningsmedlet) och låt torka i 24 timmar. Försäkra dig om att inte för mycket lim (lösningsmedel) har applicerats på kopplingarna eftersom det kan rinna ner i o-ringar och orsaka tätningsproblem.

Obs! Waterco rekommenderar att en avstängningsventil monteras efter MultiCyclone på poolens returledning för att underlätta när det ansamlade skräpet ska spolas ur. Se avsnitt "Otillräckligt vattentryck".

7. Anslut till avloppsledningen. Limma fast röret från sedimenttömningsventilen på ett avlopps- eller dräneringsrör eller lämpligt dräneringsområde.
8. Sätt på poolpumpen. Kontrollera att inga kopplingar läcker. Dra åt för hand vid behov.

PROCEDUR VID UPPSTART

MultiCyclone är ett avancerat och mycket effektivt filtersystem som ger flera års bekymmersfri drift om följande underhållsprocedurer upprätthålls.

Samma procedur används för att starta filtersystemet för första gången och efter rengöring.

1. Säkerställ att MultiCyclone is korrekt ansluten.
2. Kontrollera att alla ventiler är monterade före och efter MultiCyclone öppnas.
3. Lossa luftningsventilen längst upp på MultiCyclone-filtret.
4. Prima poolpumpen. (Se pumpens installations- och bruksanvisning).
5. Sätt på poolpumpen och låt den gå tills all luft har pumpats ut ur MultiCyclone. Det kommer att rinna vatten från luftningsventilen.
6. Dra åt luftningsventilen igen.
7. Filtret är primat och klart för användning.

Obs! I vissa fall kan denna procedur behöva utföras några gången innan enheten förblir primad och helt driftsduglig.

VARNING

Stå inte ovanför Multicyclone när du justerar luftningsventilen för att tömma systemet på luft.

Luftningsventilen kan orsaka skada om den lossnar.

UNDERHÅLL AV MULTICYCLONE-FILTER

Följande förutsättningar avgör underhållet av MultiCyclone-filtret:

1. Sedimentkammaren är fylld till hälften av sediment. Denna ackumulering av sediment kan övervakas visuellt genom den genomskinliga sedimentkammaren i MultiCyclone. MultiCyclone rengörs genom att enkelt öppna tömningsventilen. Endast 15 liter vatten släpps ut för att rengöra MultiCyclone från sediment.

Spola ur sedimentkammaren

Med pumpen igång:

När vattenpumpen är igång öppnar du bara sedimenttömningsventilen tills sedimentet har spolats ur. Det går att se i den genomskinliga sedimentkammaren. Stäng tömningsventilen när sedimentet har spolats ur.

Utan pumpen igång:

Det går också att stänga av pumpen. Öppna luftningsventilen och öppna därefter tömningsventilen. Vattennivån i MultiCyclone sjunker och spolat ur det mesta av skräpet ur sedimentkammaren. Stäng sedan luftningsventilen och sätt på pumpen. Turbulensen som uppstår när vattnet kommer in i sedimentkammaren kommer att spola ur det sista av sedimentet. När sedimentkammaren har rengjorts stänger du tömningsventilen, startar pumpen och stänger luftningsventilen när tillräckligt med vatten flödar genom luftningsventilen.

OTILLRÄCKLIGT VATTENTRYCK

I situationer då vattentrycket från pumpen in te är tillräckligt kraftigt för att rensa ut sedimentet ur sedimentkammaren rekommenderat Waterco att montera en tvåvägsventil efter MultiCyclone på poolvattnets returledning.

Tvåvägsventilen används för att strypa vattenflödet ut ur MultiCyclone, vilket ökar vattenturbulensen genom sedimentkammaren och förbättrar rensningsåtgärden.

När pumpen är igång öppnar du tömningsventilen och stänger tvåvägsventilen delvis, så att vattenflödet stryps tillräckligt för att rensa ur sediment som fastnat ur sedimentkammaren. När sedimentkammaren är ren öppnar du tvåvägsventilen och stänger tömningsventilen.

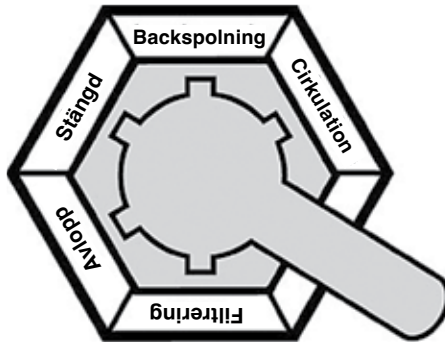


Installation med tvåvägsventil och kassettfilter

⚠ VARNING

Stäng inte tvåvägsventilen innan du öppnar tömningsventilen och stäng inte tömningsventilen medan tvåvägsventilen är stängd eller delvis stängd. Båda ventilerna får aldrig vara stängda eller delvis stängda samtidigt.

Om MultiCyclone monteras som ett för-filter till ett mediafilter kan vattenflödet till mediafiltret stängas med mediafiltrets centralventil.*



***OBS!** Denna position finns inte tillgänglig på 4-vägs-centralventiler.

GUIDE FÖR ALLMÄNT UNDERHÅLL

Maximera livslängden för MultiCyclone genom att följa stegen nedan:

1. Kontrollera visuellt i MultiCyclones genomskinliga sedimentkammare. Rengör sedimentkammaren när den har fyllts till hälften av sediment.
2. Upprätthåll rätt kemisk balans i poolens/spaanläggningens vatten. Vattens kemiska balans är förhållandet mellan pH-värde, total alkalinitet, kalciumhårdhet och vattentemperatur. Vattnet måste hela tiden hållas inom följande värden:

PH-VÄRDE	: MELLAN 7,2 OCH 7,8.
TOTAL ALKALINITET	: MELLAN 80 OCH 150 ppm.
KALCIUMHÅRDHET	: MELLAN 150 OCH 300 ppm.

Inom dessa toleransgränser måste vattnet också balanseras enligt Langelier mättnadsindex med en marginal på -0,2 till +0,2.

Obs! Det finns testkit så att du kan testa vattnet själv eller ta med ett vattenprov till en professionell pool- och spabutik.

3. Kommunal vattentillförsel och vattentillförsel på landsbygden måste kontrolleras. Mättnad (liv) i kommunalt vatten eller borrard brunn (landsbygd) varierar beroende på vattnets kvalitet.
4. För att förhindra skador på pumpen och filtret och för korrekt drift av systemet ska pumpens silkorg och skimmer rengöras regelbundet.
5. Byt ut tryckmätaren om felaktiga mätningar observeras.

VINTERSTÄLLNING

För att skydda ditt filter i kalla klimat (temperaturer under fryspunkten) bör du alltid vidta korrekta åtgärder.

1. Stäng av pumpen/stäng inloppsventilen.
2. Öppna luftningsventilen och öppna tömningsventilen för att släppa ut vatten ur MultiCyclone.
 - a. Vid mediafilter, flytta centralventilens handtag till vinterställningspositionen (mellan Filtrering och Avlopp).
 - b. Vid kassettfilter, öppna luftningsventilen. Då släpps luft in i alla portar.
3. Ta bort alla dräneringspluggar från pumpen.
4. Dränera ut vatten ut rören.

FELSÖKNINGSGUIDE

Symptoms	Möjliga problem/lösningar
Vattnet är inte klart	För lite desinfektionsmedel.
	Felaktig poolkemi.
	Hög bad- och/eller smutsbelastning.
	Felaktigt flöde.
	Otillräckliga körtider. (Öka pumpens körtid.)
	Filtret är smutsigt. (Rengör enligt anvisningar.)
	Hål i filterelement.
	Luftläckage i sugledning
	Pumpens impellerblad är blockerade
	Andra begränsningar kan vara (pooldammsugares) motstånd från annan invändig utrustning som till exempel silar.
Pumpen är inte vätskefylld.	
Lågt vattenflöde	Kontrollera om det finns skräp i silkorgarna.
	Kontrollera om det förekommer läckage på sugsidan.
	Kontrollera om det förekommer begränsningar eller stopp i antingen sug- eller returledningarna.
	Systemfiltret behöver rengöras eller bytas ut.
	Poolvattennivån är för låg.
	Pumpen är inte vätskefylld.
	Pumpens impellerblad är blockerade.
	Inga silkorgar används och/eller rengörs inte regelbundet.
Pumpen körs sakta (låg spänning).	
Korta filtreringscykler	Förekomst av alger, kontrollera mängden desinfektionsmedel.
	Kontrollera pH-värde och total alkalinitet.
	Utmatningen från pumpen överskrider filtrets flödes hastighet, kontrollera pumpdriften.
	Ineffektiv rengöring, kontrollera sedimentkammarens skick.
Högt tryck vid uppstart	Litet inloppsmunstycke till pool/spaanläggning.
	Delvis stängd ventil på returledning.
	För stor pump, kontrollera sortimentet.

GARANTI

MultiCyclone täcks av 3 års garanti. Kommersiella installationer täcks av 1 års garanti.

Se Watercos allmänna garantivillkor.



Obs! En elektronisk version av garantibroschyren från Waterco kan du hämta på Watercos webbsida www.waterco.com eller genom att skanna QR-koden.

Sisällysluettelo

YLEISET TURVALLISUUSOHJEET	113
MULTICYCLONE	114
MULTICYCLONEN KOKONAISPAINEHÄVIÖN KÄYRÄ	116
ASENNUS	116
KÄYNNISTYS	120
MULTICYCLONE-SUODATTIMEN HUOLTO	121
RIITTÄMÄTÖN VEDENPAINEN	122
YLEISET HUOLTO-OHJEET	123
TALVISÄILYTYS	124
VIANETSINTÄOPAS	125
TAKUU	125

YLEISET TURVALLISUUSOHJEET

1. Tässä ohjekirjassa mainitut laitteet ja välineet on tarkoitettu uima-allasveden esisuodatukseen ja kierrätykseen.
2. Ne on tarkoitettu puhtaalle, enintään **45 °C:n (113 °F) lämpöiselle vedelle.**
3. Asennuksen tulee tapahtua uima-altaita koskevien turvallisuussuositusten, **etenkin HD 60364-7-702 standardin**, sekä asennuspaikan omien ohjeiden mukaisesti.
4. Onnettomuuksien ehkäisyä koskevia sääntöjä on noudatettava huolellisesti.
5. Kaikenlaiset muutokset pumpppuun edellyttävät **valmistajan etukäteistä hyväksyntää.** Alkuperäisten varaosien ja valmistajan hyväksymien tarvikkeiden käyttö takaa hyvän käyttöturvallisuuden. Pumpun valmistaja ei vastaa vahingoista ja vammoista, jotka **johtuvat hyväksymättömien varaosien ja tarvikkeiden käytöstä.**
6. Tietyt pumpun ja muun laitteiston osat ovat käytön aikana vaarallisen jännitteisiä. Pumpppua tai siihen liitettyjä laitteita saa huoltaa vain silloin, kun **ne on kytketty irti virtalähteestä ja käynnistyslaite on kytketty irti.**
7. Käyttäjän on huolehdittava siitä, että asennus- ja huoltotyöt suorittaa **valtuutettu asentaja** ja että asentaja lukee ensin huolto- ja asennusohjeet huolellisesti.
8. Pumpun ja muun välineistön käyttöturvallisuus taataan ainoastaan siinä tapauksessa, että asennus- ja huolto-ohjeita noudatetaan oikein.
9. Teknisten tietojen taulukossa ilmoitettuja raja-arvoja **ei saa ylittää missään olosuhteissa.**
10. Jos pumpppu ei toimi oikein tai siinä on vikaa, ota yhteys valmistajan tekniseen tukeen tai lähimpään valtuutettuun edustajaan.
11. Jos pumpun virtakaapeli vaurioituu, vain valtuutettu huoltoedustaja saa vaihtaa sen.
12. Laitetta ei ole tarkoitettu sellaisten henkilöiden käytettäväksi (mukaan lukien lapset), joilla on alentunut fyysinen, aistillinen tai henkinen toimintakyky tai joilta puuttuu kokemusta tai tietoa, ellei käyttöä valvo tai sitä ole opettanut henkilö, joka hallitsee laitteen käytön ja vastaa laitetta käyttävän henkilön turvallisuudesta. Laitteen käyttäjän on myös ymmärrettävä käyttöön liittyvät vaarat.
13. Laitetta ei ole tarkoitettu lasten käytettäväksi. Lapsia on valvottava, jotta he eivät leiki laitteella.
14. Kaikki johdotus-/sähkötyöt on annettava valtuutetun sähköasentajan tehtäväksi. Asennuksissa on noudatettava paikallisia sähköturvallisuusvaatimuksia.
15. Jos pumpppu tai muu laitteisto asennetaan uima- tai muun altaan läheisyyteen, on välttämätöntä asentaa maavuotokatkaisija, jonka nimellinen laukaisuvirta on enintään 30 mA.
16. Irrota laite aina virtalähteestä ennen kokoamista, purkamista tai puhdistamista.
17. Ennen pakkasia pumpppukotelosta täytyy tyhjentää kaikki vesi avaamalla pumpppukotelossa olevat tyhjennystulpat.

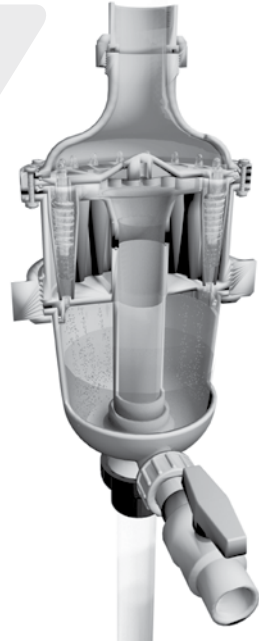
Käyttö Euroopassa:

1. Tätä laitetta ei ole tarkoitettu sellaisten henkilöiden käytettäväksi (mukaan lukien 8 vuotta täyttäneet lapset), joilla on alentunut fyysinen, aistillinen tai henkinen toimintakyky tai joilta puuttuu kokemusta tai tietoa, ellei käyttöä valvo tai sitä ole opettanut henkilö, joka hallitsee laitteen käytön ja vastaa laitetta käyttävän henkilön turvallisuudesta. Laitteen käyttäjän on myös ymmärrettävä käyttöön liittyvät vaarat.
2. Lapsia on valvottava, jotta he eivät leiki laitteella.
3. Lasten ei saa antaa puhdistaa tai kunnossapitää laitetta ilman valvontaa.

MULTICYCLONE

MultiCyclone on nerokas esisuodatuslaite, joka säästää vettä ja vähentää allasuodattimen huoltotarvetta. Veden keskipakosuodatukseen perustuva MultiCyclone suodattaa jopa 80 % altaan likakuormasta ennen kuin se päätyy allasuodattimeen. Laitteen puhdistamiseen tarvitaan vain 15 litraa (4 gallonia) vettä.

- Vähentää suodattimen huoltotarvetta ja säästää vettä.
- Ei puhdistettavaa tai vaihdettavaa suodatinainetta.
- Useita hydrosykloneita.
- Soveltuu uusiin ja olemassa oleviin asennuksiin.



Veden keskipakosuodatus

Sisään tuleva vesi kulkee tangentiaalisesti hydrosykloneihin, jolloin syntyy voimakas keskipakovaikutus. Noin 80 % sisään tulevasta likakuormasta päätyy pyörrevirtauksen mukana alas läpinäkyvään kiintoainekammioon. Ulos tuleva puhdistettu vesi johdetaan altaaseen suodatusjärjestelmän läpi.

Helppo huolto

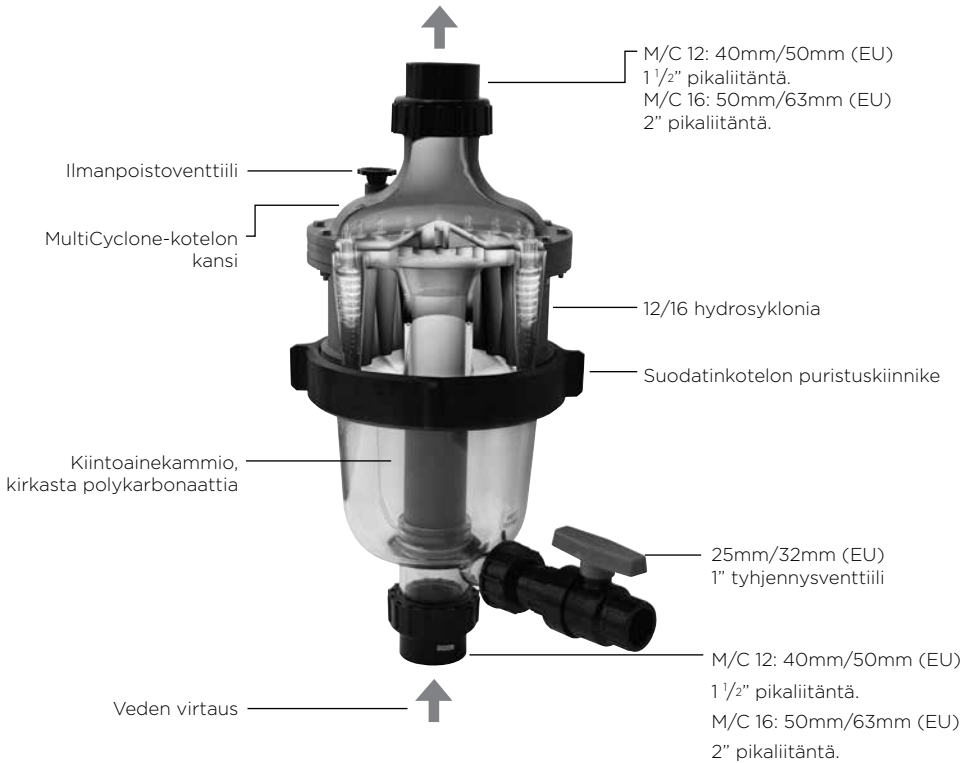
MultiCyclonen kiintoainekammio on helppo puhdistaa avaamalla sen tyhjennysventtiili. Vettä lasketaan ulos vain 15 litraa (4 gallonia).

Vähentää suodatinaineen vastavirtahuuhtelun tarvetta

Kun MultiCyclone asennetaan suodatinainetta käyttävän suodattimen esisuodattimeksi, voi vastavirtahuuhtelun tarve vähentyä vain kertavuotiseksi, mikä säästää jopa 7000 litraa (1850 gallonia) vettä vuodessa keskikokoisessa kodin uima-altaassa.

Vähentää suodatinpatruunan puhdistus- ja vaihtotarvetta

Kun MultiCyclone asennetaan patruunasuodattimen esisuodattimeksi, voi suodatinpatruunan puhdistus- ja vaihtotarve vähentyä vain yhteen kertaan uimakaudessa tai jopa vuodessa riippuen patruunasuodattimen koosta.

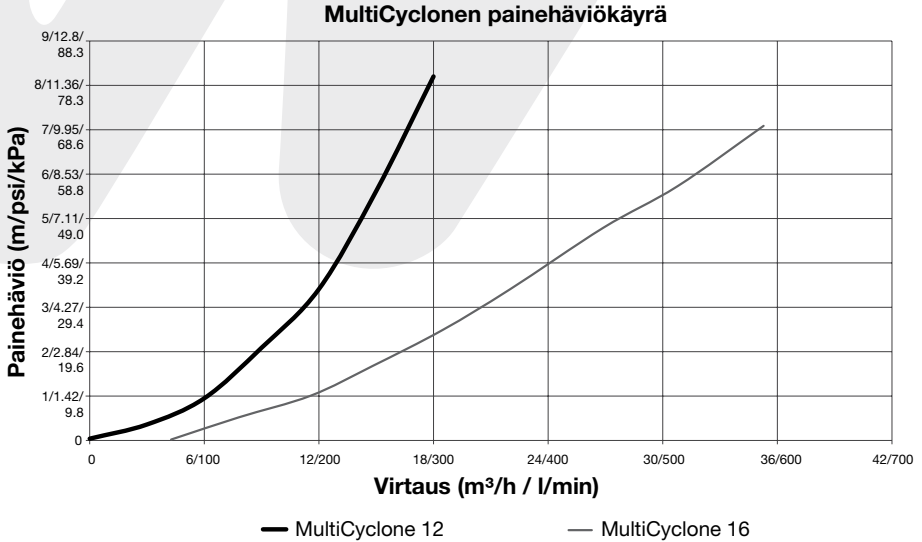


Kiintoaineen kertymistä voidaan seurata näönvaraisesti, sillä MultiCyclonen kiintoainekammio on läpinäkyvä. MultiCyclonen kiintoainekammio puhdistetaan avaamalla sen tyhjennysventtiili. MultiCyclone puhdistuu kiintoaineesta laskemalla ulos vain 15 litraa (4 galloniaa) vettä.

Huomautus: MultiCyclonen linkous on suunniteltu suodattamaan kiintoainetta, joka vettä painavampaa. Keskipakovoimaan perustuvalla suodatuksella ei voida suodattaa kelluvaa likaa.

Malli	Liitäntäaukot	Vähimmäisvirtaus	Enimmäisvirtaus	Enimmäispaine
MultiCyclone 12	40mm/50mm (EU)/ 1 1/2" pikaliitäntä	40lpm/2,4 m ³ /hr/ 11gpm	300lpm/18m ³ /hr/ 79gpm	350 kPa (50psi)
MultiCyclone 16	50mm/63mm (EU)/ 2" pikaliitäntä	50lpm/3 m ³ /hr/ 13gpm	500lpm/30m ³ /hr/ 132gpm	350 kPa (50psi)

MULTICYCLONE PLUSIN KOKONAISPAINEHÄVIÖN KÄYRÄ



ASENNUS

Noudata aina paikallisia putkityömääräyksiä.

Varmista, että kaikki jäteveden hävitysjärjestelyt täyttävät paikalliset ja kansalliset määräykset. Jätevedettä ei saa hävittää niin, että se aiheuttaa tulvimista tai vahinkoa.

Jos sisääntuloveden paine on suurempi kuin enimmäiskäyttöpaine 350 kPa / 3,5 bar / 50 psi, täytyy suodattimen tuloliitännän etupuolelle asentaa paineensäätöventtiili.

Venttiili tulee säätää 90 prosenttiin säiliön enimmäiskäyttöpaineesta.

Jos sisääntuloveden virtaus on pienempi kuin suodattimen vähimmäisvirtausvaatimus, suodattimen suodatustehokkuus heikkenee. Pyydä ohjeita Watercolta.

Tyypillinen asennus

1. Sijoita suodatin mahdollisimman lähelle uima-allasta.
2. Sijoita suodatin niin, ettei se altistu tulville ja on loitolla sumpeista, viemäreistä, puutarhaojista jne.
3. Sijoita suodatin niin, että putkiliitännät, tyhjennysventtiili ja ilmanpoistovenktiili ovat helposti käsillä ja käytettävissä, huollettavissa ja asetettavissa talvikuntoon.
4. Varmista, että vaatimustenmukaisuustarra osoittaa eteenpäin ja on helposti tunnistettavissa.
5. Suodatin tulee asettaa tasaiselle sementtialustalle, kovalle maalle tai vastaavalle. Varmista, ettei maa vajoa ja aiheuta painetta liitäntäputkiin.
6. Varmista, ettei suodatin liiku tyhjennysventtiilin käytön aikana.
7. Jätä suodattimen ympärille riittävästi tilaa, jotta koko järjestelmä voidaan tarkastaa helposti.

*HUOMAA: DE-SUODATTIMET VAATIVAT OHITUKSEN



Tyypillinen asennus suodatusainetta käyttävän suodattimen kanssa



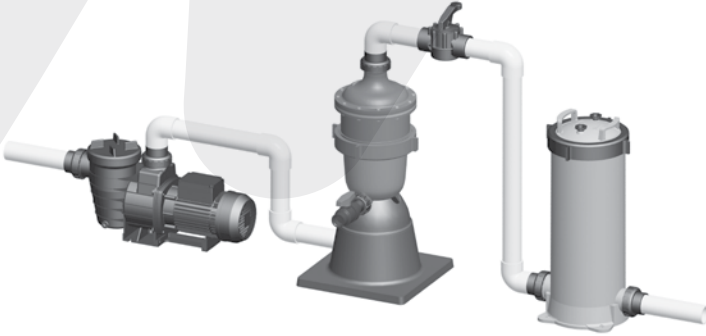
Tyypillinen asennus patruunasuodattimen kanssa



Tyypillinen asennus DE-suodattimen kanssa

Valinnainen asennusjalusta

Saatavilla on myös valinnainen asennusjalusta tilanteisiin, joissa MultiCyclonea ei voida asentaa suoraan allaspumpun päälle.



Asennus valinnaisen asennusjalustan kanssa

Putkisto

1. Tarkista, että sisääntuloveden paine on suodattimen suositellun käyttöpaineen rajoissa ja varmista, että paineenalennusventtiili on asennettu, jos käytetään vesijohtoverkkoon kytkettyä tai korkeapainepumppua.
2. Varmista, että polkuventtiili/takaiskuventtiili on asennettu, jos pumppu asennetaan 500 mm / 20" vedenpinnan yläpuolelle.
3. Jos suodatin asennetaan vedenpinnan alapuolelle tai liitetään vesijohtoverkkoon, suodattimen tulo- ja poistoliitäntään on asennettava erotusventtiilit. Tämä estää veden virtaamisen rutiinihuollon aikana.
4. Minimoi vedenvirtauksen rajoittuminen minimoimalla putken pituus ja liitäntöjen määrä.
5. Varmista, että kaikki putkiliitokset liimataan kiinni ja kiristetään tiukasti vuotojen estämiseksi.
6. Varmista, ettei liitoksiin käytetä liikaa liuottimia, koska sitä voisi päästä o-renkasiin aiheuttamaan tiivistysongelmia.
7. Älä kiristä liittimiä tai sovittimia liikaa.

Ruuvaa mukana toimitetut tynnyryhteet ja liittimet tulo- ja poistoliitäntöihin ennen UPVC-putkien liimaamista suodattimeen.

HUOMIO

Huomautus: Älä käytä nestemäistä tiivistysainetta tai kierreteippiä MultiCyclonen tulo- tai poistoaukkojen kierteisiin tai tynnyryhteiden kierteisiin.

Käytä liitosputkiin ja liittimiin vain suositeltua liimaa

Leikkaa ja kiinnitä putket ja liittimet MultiCycloneen ja pumppuun. **Katso** pumpun putkityöohjeet pumpun asennusohjekirjasta.

Paras käytäntö on kiinnittää kaikki leikatut putket ja liittimet suodatusjärjestelmään **ennen** liimausta. Näin varmistetaan, että järjestelmä on **kohdistettu** oikein.

Liimaa putket ja liittimet pumppuun, suodattimeen ja altaan paluulinjastoon, ja **anna** liiman kovettua **24 tuntia** ennen järjestelmän käyttöönottoa.

Putkiliitännät

1. Varmista, että polkuventtiili/takaiskuventtiili on asennettu, jos pumppu asennetaan 500 mm / 20" vedenpinnan yläpuolelle.
2. Jos suodatin asennetaan vedenpinnan alapuolelle tai liitetään vesijohtoverkkoon, suodattimen tulo- ja poistoliitäntään on asennettava erotusventtiilit. Tämä estää veden virtaamisen rutiinihuollon aikana.
3. Minimoi vedenvirtauksen rajoittuminen minimoimalla putken pituus ja liitäntöjen määrä.
4. Liitä putki pumpun ulostulosta MultiCyclonen tuloliitäntään.
5. Liitä putki MultiCyclonen ulostulosta suodatusjärjestelmän seuraavaan komponenttiin..
6. Liimaa kaikki putket tynnyryhteisiin liiman (liuottimen) valmistajan ohjeiden mukaisesti ja anna kovettua 24 tuntia. Varmista, ettei liittimiin käytetä liikaa liimaa (liuotinta), koska se voisi päästä o-renkaisiin ja aiheuttaa tiivistysongelmia.

Huomautus: Waterco suosittelee, että MultiCyclonen taakse altaan paluulinjaan asennetaan sulkuventtiili helpottamaan kerätyn lian pois huuhtelua. Katso kohtaa "Riittämätön vedenpaine".

7. Liitä jätevesilinjaan. Liimaa putki kiintoaineen poistovenntiilistä jätevesiputkeen, viemäriin tai soveltuvalle valuma-alueelle.
8. Kytke allaspumppu päälle. Varmista, ettei liitäntöissä esiinny vuotoja. Kiristä tarvittaessa käsin.

KÄYNNISTYS

MultiCyclone on kehittynyt, erittäin tehokas suodatinjärjestelmä, joka tarjoaa huoletonta käyttöaikaa vuosiksi, jos seuraavista huoltotoimista huolehditaan.

Suodatinjärjestelmä käynnistetään samalla tavalla uutena ja puhdistuksen jälkeen.

1. Varmista, että MultiCyclone on putkitettu oikein.
2. Varmista, että MultiCyclonen eteen ja taakse asennetut venttiilit ovat auki.
3. Avaa MultiCyclone-suodattimen päällä oleva ilmanpoistiventtiili.
4. Esitäytä allaspumppu. (Katso pumpun asennus- ja käyttöohjekirjaa.)
5. Kytke allaspumppu päälle ja anna pumpun käydä, kunnes kaikki ilma on poistunut MultiCyclonesta. Ilmanpoistiventtiilistä tulee silloin vettä.
6. Sulje taas ilmanpoistiventtiili.
7. Suodatin on nyt esitäytetty ja käyttövalmis.

Huomautus: Joissakin tapauksissa tämä voidaan joutua tekemään muutaman kerran ennen kuin laite pysyy esitäytettynä ja käyttövalmiina.



HUOMIO

Älä seiso MultiCyclonen yläpuolella, kun säädät ilmanpoistiventtiiliä järjestelmää ilmattaessa.

Voit loukkaantua, jos ilmanpoistiventtiili löystyy.

MULTICYCLONE-SUODATTIMEN HUOLTO

MultiCyclone-suodattimen huoltotarve määritetään seuraavasti:

1. Kiintoainekammio on täyttynyt puolilleen kiintoaineesta. Kiintoaineen kertymistä voidaan seurata näönvaraisesti, sillä MultiCyclonen kiintoainekammio on läpinäkyvä. MultiCyclone puhdistetaan avaamalla tyhjennysventtiili. MultiCyclone puhdistuu kiintoaineesta laskemalla pois vain 15 litraa (4 gallonaa) vettä.

Kiintoainekammion huuhtelu

Kun pumppu on käynnissä::

Kun vesipumppu on käynnissä, avaa kiintoaineen tyhjennysventtiili siksi aikaa, että kiintoaine huuhtoutuu pois. Tätä voi seurata kiintoainekammion läpi katsoen. Kun kiintoaine on huuhtoutunut pois, sulje tyhjennysventtiili.

Kun pumppu ei ole käynnissä:

Vaihtoehtoisesti sammuta pumppu. Avaa ilmanpoistovenktiili ja sitten tyhjennysventtiili. Vesi valuu MultiCyclonen läpi huuhdellen enimmän osan liasta pois kiintoainekammioista. Sulje sitten ilmanpoistovenktiili ja kytke pumppu päälle, niin kiintoainekammioon kuohuva vesi huuhtelee pois loputkin kiintoaineesta. Kun kiintoainekammio on puhdas, sulje tyhjennysventtiili, käynnistä pumppu ja sulje ilmanpoistovenktiili, kun ilmanpoistovenktiilistä virtaa ulos vettä.

RIITTÄMÄTÖN VEDENPAININE

Tilanteissa, joissa veden virtaus pumpusta ei ole riittävän voimakas kiintoaineen poistamiseksi kiintoainekammioista, Waterco suosittelee asentamaan MultiCyclonen taakse allasveden paluulinjaan 2-tieventtiilin.

2-tieventtiiliä käytetään rajoittamaan veden virtausta ulos MultiCyclonesta, mikä lisää veden kuohuntaa kiintoainekammion läpi ja tehostaa sen puhdistumista.

Kun pumpu on käynnissä, avaa tyhjennysventtiili ja sulje sitten 2-tieventtiili osittain rajoittamaan veden virtausta sen verran, että kiintoainekammio puhdistuu sinne jääneestä kiintoaineesta. Kun kiintoainekammio on puhdas, avaa 2-tieventtiili ja sulje sitten tyhjennysventtiili.

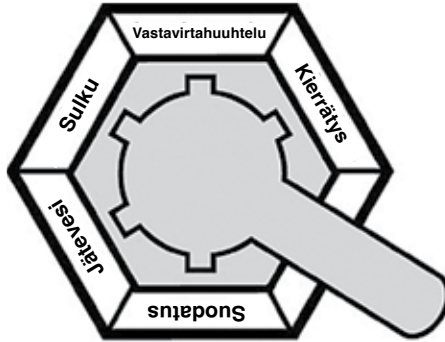


Asennus, jossa 2-tiesulkuventtiili ja patruunasuodatin

⚠ HUOMIO

Älä sulje 2-tieventtiiliä ennen tyhjennysventtiilin avaamista, äläkä sulje tyhjennysventtiiliä 2-tieventtiilin ollessa kokonaan tai osittain suljettu. Nämä venttiilit eivät saa koskaan olla suljettuina (edes osittain) samaan aikaan.

Jos MultiCyclone asennetaan suodatinainetta käyttävän suodattimen esisuodattimeksi, veden virtaus suodatinainetta käyttävään suodattimeen voidaan sulkea suodattimen monitieventtiilillä.*



***HUOMAA:** Tämä asento ei ole käytettävissä 4-tieventtiileissä.

YLEISET HUOLTO-OHJEET

Noudata seuraavia menettelyjä, jotta MultiCyclone pysyy käyttökunnossa mahdollisimman pitkään:

1. Tarkkaile MultiCyclonen läpinäkyvää kiintoainekammioa. Puhdista kiintoainekammio, kun se on täyttynyt puolilleen kiintoainetta.
2. Ylläpidä allasveden oikeaa kemikaalitasapainoa. Veden kemikaalitasapaino on pH:n, kokonaisuomäksisyyden, kalsiumkovuuden ja veden lämpötilan suhde. Veden arvojen on oltava aina seuraavissa rajoissa:

PH-ARVO	: 7,2 - 7,8.
KOKONAISEMÄKSISYYS	: 80 - 150ppm.
KALSIUMKOVUUS	: 150 - 300ppm.

Vesi on myös tasapainotettava näiden toleranssien sisällä Langelierin kylläisyysindeksin alueelle -0,2 - +0,2.

Huomautus: Testipakkauksia on saatavilla, jos haluat testata veden itse, tai vaihtoehtoisesti voit viedä vesinäytteen ammattimaiseen allasliikkeeseen..

3. Vesijohtovettä ja maaseudun vesilähteitä on valvottava. Vesijohtoveden tai poraveden (maaseudulla) kylläisyys vaihtelee vesilaadun mukaan.
4. Pumppu- ja suodatinvaurioiden välttämiseksi ja järjestelmän oikean toiminnan varmistamiseksi puhdista pumpun sihtikori ja pintaventtiilin kotelo säännöllisesti.
5. Vaihda painemittari, jos havaitset virheellisiä lukemia.

TALVISÄILYTYS

Kylmissä ilmastoissa (lämpötilat nollan alapuolella) on huolehdittava aina suodattimen asianmukaisesta suojaamisesta talven ajaksi.

1. Kytke pumpppu pois päältä / sulje tuloventtiili.
2. Avaa ilmanpoistovennttiili ja tyhjennysventtiili, jotta vesi pääsee virtaamaan ulos MultiCyclonesta.
 - a. Suodatinainesuodatinta käytettäessä siirrä monitieventtiilin kahva talviasentoon (suodattimen ja jäteveden väliin).
 - b. Patruunasuodatinta käytettäessä avaa ilmanpoistovennttiili. Näin ilma pääsee virtaamaan kaikkien aukkojen läpi.
3. Poista kaikki tyhjennystulpat pumpusta.
4. Tyhjennä vesi putkistosta.

VIANETSINTÄOPAS

Ongelma	Mahdolliset syyt / ratkaisut
Vesi ei ole kirkasta	Riittämätön desinfiointiaineen määrä.
	Altaan kemikaalisuhteet eivät ole oikeat.
	Runsas ja/tai likaava altaan käyttö.
	Vääränlainen virtaus.
	Liian lyhyt käyttöaika. (Lisää pumpun käyttöaikaa.)
	Suodatin on likainen. (Puhdista ohjeiden mukaisesti.)
	Reikä suodatinelementissä.
	Ilmavuoto imulinjalla.
	Pumpun juoksupyörän siivet ovat tukossa.
	Muut rajoittimet, mukaan lukien (allasimurien) vastus muista järjestelmän laitteista kuten siivilöistä.
Pumppua ei ole esitätetty.	
Heikko veden virtaus	Tarkista, onko sihtikoreissa likaa.
	Tarkista, onko imupuolella ilmavuotoja.
	Tarkista, onko imu- tai paluulinjalla esteitä tai tukoksia.
	Järjestelmän suodatin täytyy puhdistaa tai vaihtaa.
	Allasvettä on liian vähän.
	Pumppua ei ole esitätetty.
	Pumpun juoksupyörän siivet ovat tukossa.
	Sihtikoreja ei käytetä ja/tai puhdisteta säännöllisesti.
Pumppu käy liian hitaasti (heikko jännite).	
Lyhyet suodatusjaksot	Esiintyy levää. Tarkista desinfiointiaineen määrä.
	Tarkista pH ja kokonaisuomaisuus.
	Pumppausteho ylittää suodattimen suunnitellun virtausnopeuden. Tarkista pumpun teho.
	Heikko puhdistusteho. Tarkista kiintoainekammion tilanne.
Korkea paine käynnistettäessä	Pieni suutin altaassa.
	Osittain sulkeutunut venttiili paluulinjalla.
	Liian suuri pumppu. Tarkista valikoima.

TAKUU

MultiCyclonella on 3 vuoden takuu. Kaupallisilla asennuksilla on 1 vuoden takuu.

Katso Waterco-yhtiön takuehdot.



Innholdsfortegnelse

GENERELLE SIKKERHETSREGLER	127
MULTICYCLONE	128
MULTICYCLONE SAMLET TRYKKTAP KURVE	130
INSTALLASJON.....	130
OPPSTARTSPROSEDYRER	134
MULTICYCLONE FILTERVEDLIKEHOLD	135
UTILSTREKkelig VANNTRYKK	136
GENERELL VEDLIKEHOLDSINSTRUKS	137
VINTERKLARGJØRING	138
FEILSØKINGSVEILEDNING	139
GARANTI	139

GENERELLE SIKKERHETSREGLER

1. Maskinene og utstyret som er nevnt i håndboken, er spesialkonstruert for å forhåndsfiltrere og resirkulere vannet i svømmebassenger.
2. De er konstruert for bruk med rent vann ved en temperatur som ikke overstiger **45 grader Celsius (113 grader Fahrenheit)**.
3. Installasjonen bør utføres i samsvar med sikkerhetsinstruksjonene for svømmebassenger, særlig **Standard HD 60364-7-702**, og de spesifikke instruksjonene for hvert anlegg.
4. Reglene som gjelder for å hindre ulykker, må følges nøye.
5. Alle modifiseringer av pumpen krever **forhåndsgodkjenning fra produsenten**. Originale erstatningsdeler og utstyr autorisert av produsenten sørger for et høyt sikkerhetsnivå. Pumpens produsent tar ikke noe ansvar for ødeleggelse eller skader som **skyldes uautoriserte erstatningsdeler og uautorisert utstyr**.
6. Under drift er enkelte deler av pumpen og annet utstyr utsatt for farlig elektrisk spenning. Arbeid kan bare utføres på hver pumpe eller utstyr som er koblet til pumpen etter at **de er koblet fra strøm, og etter at startenheten er koblet fra**.
7. Brukere må sørge for at monterings- og vedlikeholdsoppgaver utføres av **kvalifiserte og autoriserte personer**, og at disse personene først har lest instruksene for service og installasjon nøye.
8. Funksjonssikkerheten til pumpen og annet utstyr har kun garanti dersom installasjons- og serviceinstruksjonene er fulgt på korrekt vis.
9. Grenseverdiene som er angitt i den tekniske tabellen **bør ikke overskrides under noen som helst omstendigheter**.
10. Hvis det oppstår en feil eller defekt under drift, må du ta kontakt med produsentens avdeling for teknisk støtte eller nærmeste autoriserte forhandler.
11. Hvis strømledningen er skadet, må den erstattes av en autorisert servicepartner.
12. Apparatet er ikke ment for bruk av personer (herunder barn) med reduserte fysiske, sensoriske eller mentale evner, eller manglende erfaring og kunnskap, med mindre de er under oppsyn eller gis instruksjoner om bruken av apparatet av en person som er ansvarlig for deres sikkerhet, og de forstår farene som er involvert.
13. Apparatet er ikke ment for små barn. Små barn må holdes under oppsyn for å sikre at de ikke leker med apparatet.
14. All kabling (elektrisk arbeid) må utføres av faglærte elektrikere og installeres i henhold til lokalt regelverk.
15. Hvis pumpen eller annet utstyr skal installeres ved et svømmebasseng eller en dam, er det påkrevd at det installeres en jordet lekkasjehovedbryter med en nominell utløsningsstrøm som ikke overstiger 30 mA.
16. Koble alltid apparatet fra strøm før montering, demontering og rengjøring.
17. Ved frost må vannet tømmes helt ut av pumpehuset ved å åpne avløpspluggene på pumpehuset.

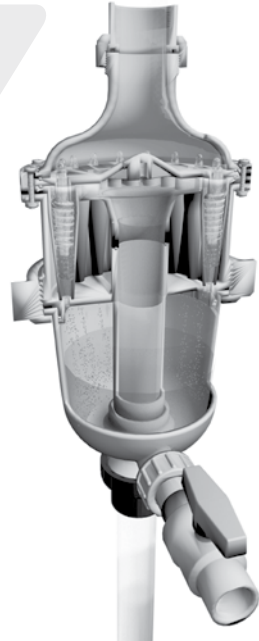
For bruk i Europa:

1. Dette apparatet er ikke ment for bruk av personer (herunder barn fra 8 år og over) med reduserte fysiske, sensoriske eller mentale evner, eller manglende erfaring og kunnskap, med mindre de er under oppsyn eller gis instruksjoner om bruken av apparatet av en person som er ansvarlig for deres sikkerhet.
2. Barn må holdes under oppsyn for å sikre at de ikke leker med apparatet.
3. Rengjøring og brukervedlikehold skal ikke utføres at barn uten tilsyn.

MULTICYCLONE

MultiCyclone er en briljant forhåndsfiltreringsenhet som kan spare vann og minimere vedlikeholdet av bassengfilteret. Basert på prinsippene om sentrifugal vannfiltrering, filtrerer MultiCyclone opptil 80% av bassengets tilsnusing før den når bassengfilteret, og trenger kun 15 liter vann til rengjøringen.

- Gir minimert filtervedlikehold og redusert vannforbruk.
- Ingen filtermedier som må rengjøres eller byttes.
- Multiple hydrosykloner.
- Egnet for nye og eksisterende installasjoner.



Sentrifugal vannfiltrering

Innkommende vann fører tangentielt multiple hydrosykloner, som genererer en sterk sentrifugaleffekt. Omlag 80% av innkommende smuss sendes som en spiral ned til det transparente sedimentkammeret. Det utgående, skinnende vannet føres i rør til bassenget via filtreringssystemet.

Enkelt vedlikehold

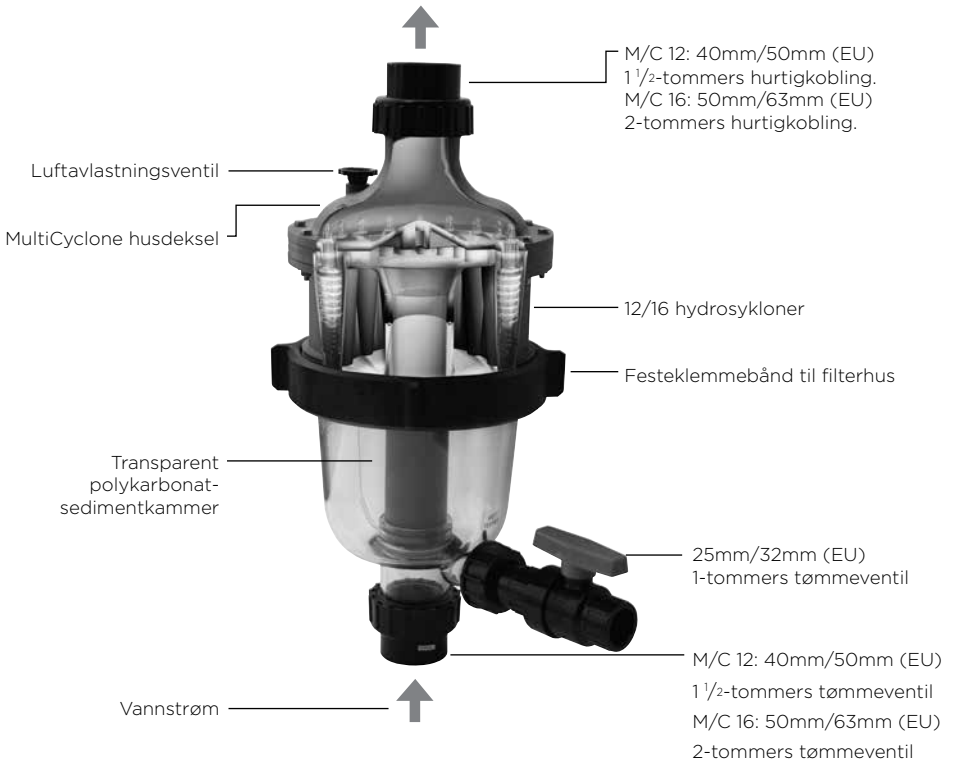
MultiCyclone-sedimentkammeret rengjøres enkelt ved å åpne dets tømmeventil. Kun 15 liter vann slippes ut.

Minimere tilbakeskylingsfrekvensen for mediefilteret

Installasjon av en MultiCyclone som forhåndsfilter til et sandfilter, kan redusere tilbakeskylingsfrekvensen til en gang årlig, noe som gir en vannbesparelse på 7000 liter årlig for et gjennomsnittlig stort, normalt svømmebasseng til privat bruk.

Minimere rengjøring og bytte av filterpatroner

Installasjonen av en MultiCyclone som forhåndsfilter til et patronfilter kan gi redusert rengjøring og bytte av filterpatroner til en gang per svømmesesong, og endog en gang årlig, avhengig av størrelsen på patronfilteret.

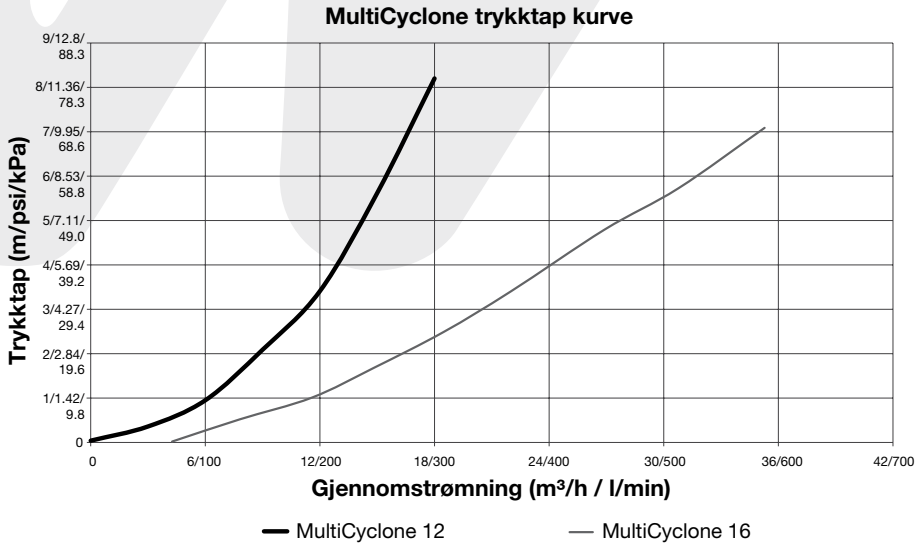


Sedimentavleiringer kan overvåkes visuelt gjennom det transparente MultiCyclone-sedimentkammeret. MultiCyclone-sedimentkammeret rengjøres ganske enkelt ved å åpne tømmeventilen. Kun 15 liter vann forbrukes ved fjerning av sedimenter i MultiCyclone.

Merk: MultiCyclone-sentrifugalavsnittet er de for filtrering av sedimenter som er tyngre enn vann; flytende avfall lar seg ikke filtrere ut ved sentrifugalfiltrering.

Modell	Tilkoblingsporter	Minimal gjennomstrømning	Maksimal gjennomstrømning	Maks. trykk
MultiCyclone 12	40mm/50mm (EU)/ 1 1/2-tommers hurtigkobling	40lpm/2,4 m ³ /hr/ 11gpm	300lpm/18m ³ /hr/ 79gpm	350 kPa (50psi)
MultiCyclone 16	50mm/63mm (EU)/ 2-tommers hurtigkobling	50lpm/3 m ³ /hr/ 13gpm	500lpm/30m ³ /hr/ 132gpm	350 kPa (50psi)

MULTICYCLONE PLUS SAMLET TRYKKTAP KURVE



INSTALLASJON

Sørg for å overholde lokale reguleringer for rørlegging.

Påse at alle installasjoner for håndtering av avløpsvann oppfyller lokale, statlige eller nasjonale bestemmelser. Ikke foreta vannutslipp der hvor dette kan forårsake oversvømmelser eller skader.

Dersom det innkommende vanntrykket er høyere enn det maksimale driftstrykket på 350kPa/3.5Bar/50psi, må det installeres enn trykkreguleringsventil (TRV) oppstrøms for filterinntaket.

TRV bør stilles inn på 90% av maksimalt driftstrykk for tanken.

Dersom den innkommende vannflyten er lavere enn filterets minimumskrav til flyt, blir filterets filterings effekt påvirket, ta kontakt med Waterco.

Typisk installasjon

1. Plasser filteret så nær som mulig til svømmebassenget/spaet som mulig.
2. Plasser filteret slik at det ikke kan oversvømmes, borte fra samlebrønner, renner, fordypninger i terrenget osv.
3. Plasser filteret slik at rørkoblingene til tømmeventilen og luftavlastningsventilen er enkelt tilgjengelige for drift, service og vinterklargjøring.
4. Forsikre deg om at etiketten om samsvar peker ut mot fronten, så den er lett å finne.
5. Filteret skal plasseres på en jevn betongblokk, skikkelig fast grunn eller lignende. Forsikre deg om at grunnen ikke vil gli ut, for å hindre at det oppstår belastninger på de påkoblede rørene.
6. Forsikre deg om at filteret ikke rører på seg under bruk av tømmeventilen.
7. Tillat nok klaring rundt filteret til å muliggjøre visuell inspeksjon av hele systemet.

*MERK: DE-FILTRE TRENGER EN BYPASS



Typisk installasjon med et mediefilter



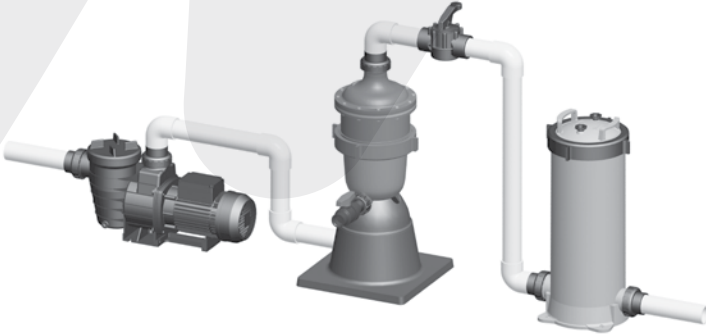
Typisk installasjon med et patronfilter



Typisk installasjon med et DE-filter

Monteringsstativ som ekstrastyr

Et monteringsstativ som ekstrastyr er dessuten tilgjengelig for situasjoner hvor MultiCyclone ikke kan installeres direkte ovenfor bassengpumpen din.



Installasjon med monteringsstativ som ekstrastyr

Rør

1. Sjekk at det trykket på vannet som strømmer inn er innenfor filterets anbefalte brukstrykk, og forsikre deg om at en trykkbegrensende ventil er installert hvis vann fra hovedvannledningen eller en høytrykkspumpe brukes.
2. Forsikre deg om at en fotventil/ikke-returventil er installert, hvis pumpen er installert mer enn 500 mm/20 tommer over vannivå.
3. Hvis filteret er installert under vannivå eller tilkoblet hovedvannledningen, må isoleringsventiler installeres ved filterets innsug og utløp. Dette vil hindre vannflyt under rutinevedlikehold.
4. Minimer rørlengden og antallet rørkoblinger for å minimere hindringer i vannflyten.
5. Påse at alle slangetilkoblinger er limte og trygt festet for å unngå lekkasje.
6. Forsikre deg om at løsemiddel ikke blir overdrevet brukt på rørkoblinger, da dette kan komme inn i O-ringer og skade forseglingene.
7. Ikke stram til rørkoblinger og adaptere for mye.

Skru de halve rørunionene og endene på inntaket og utløpet før UPVC-rør limes på filteret.

ADVARSEL

Merk: Ikke bruk væsketetning eller gjengeteip på gjengen til inntaks- eller utløpsgjengene til MultiCyclone eller koblingsgjenger til rørunion.

Bruk kun anbefalt lim for tilkoblingsrør og rørkoblinger

Kutt og monter rør og rørkoblinger på MultiCyclone og pumpen. **Se** pumpehåndboken for korrekte rørleggingsprosedyrer til pumpen.

Det er **best praksis** å montere alle rør og rørkoblinger på filtreringssystemet før liming; det vil sikre at systemet er **justert** korrekt.

Lim rør og rørkoblinger på pumpen, filteret og bassengets returledninger og **la** limet feste seg **24 timer** før systemet tas i drift.

Slangetilkobling

1. Forsikre deg om at en fotventil/ikke-returventil er installert, hvis pumpen er installert mer enn 500 mm/20 tommer over vannivå.
2. Hvis filteret er installert under vannivå eller tilkoblet hovedvannledningen, må isoleringsventiler installeres ved filterets innsug og utløp. Dette vil hindre vannflyt under rutinevedlikehold.
3. Minimer rørlengden og antallet rørkoblinger for å minimere hindringer i vannflyten.
4. Koble røret som forlenges fra pumpeutgangen til inntaket hos MultiCyclone.
5. Koble røret som forlenges fra utløpet til MultiCyclone til den neste komponenten i ledningen med filtreringssystemet.
6. Lim alle rør til rørkoblinger hos rørunion i henhold til lim-(løsemiddel-)produsentens anvisninger og la det feste seg i 24 timer. Forsikre deg om at limet (løsemiddelet) ikke blir overdrevet brukt på rørkoblinger, da dette kan komme inn i O-ringer og skade forseglingene.

Merk: Waterco anbefaler at det installeres en stengeventil etter MultiCyclone på bassengets rørledning, for å bidra til at oppsamlede rester skylles ut. Se "Utilstrekkelig vanntrykk".

7. Koble til avfallsledning. Lim rør fra sediment-tømmeventilen til en avfallsledning, drenering eller et egnet dreneringsområde.
8. Slå på bassengpumpen. Sørg for å kontrollere at det ikke er noen lekkasjer fra kontaktene. Stram for hånd, dersom påkrevd.

OPPSTARTSPROSEDYRE

MultiCyclone er et avansert og ultraeffektivt filtersystem som vil tilby årevis med problemfri service dersom de følgende vedlikeholdsprosedyrene overholdes.

Det er det samme om filtreringssystemet startes opp på ny eller etter rengjøring.

1. Påse at rørene til MultiCyclone er koblet korrekt.
2. Påse at alle ventiler som er installert foran og bak MultiCyclone er åpne.
3. Løsne luftavlastningsventilen på toppen av MultiCyclone-filteret.
4. Luft ut pumpen til svømmebassenget. (Se monterings- og driftshåndboken for pumpen).
- 5.
6. Slå på pumpen til svømmebassenget og la pumpen kjøre inntil all luften er ute av MultiCyclone. Vann vil løpe fra luftavlastningsventilen.
7. Etterstram luftavlastningsventilen.
8. Filteret er luftet ut og klar for drift.

Merk: I enkelte tilfeller kan det være påkrevd å gjøre dette noen ganger før enheten forblir utluftet og fullt ut klar for drift.

ADVARSEL

Ikke stå over toppen av MultiCyclone mens luftavlastningsventilen justeres for å tømme luften ut av systemet.

Det kan forekomme personskader dersom luftavlastningsventilen løsner.

MULTICYCLONE FILTERVEDLIKEHOLD

Vedlikeholdet av MultiCyclone-filteret fastlegges av følgende vilkår:

1. Sedimentkammeret er halvfyllt med smuss. Slike sedimentavleiringer kan overvåkes visuelt gjennom det transparente MultiCyclone-sedimentkammeret. MultiCyclone rengjøres ganske enkelt ved å åpne tømmeventilen. Kun 15 liter vann forbrukes ved fjerning av sedimenter i MultiCyclone.

Skylle ut sedimentkammeret

Med pumpen gående:

Åpne ganske enkelt tømmeventilen for sedimenter mens vannpumpen kjøres, inntil sedimentene er skyllet ut. Dette er synlig gjennom det transparente sedimentkammeret. Lukk tømmeventilen straks sedimentet er skylt ut.

Uten pumpen gående:

Slå eventuelt av pumpen. Åpne luftavlastningsventilen og åpne deretter tømmeventilen. Vannet vil dryppe gjennom MultiCyclone og skylle ut de fleste avleiringene fra sedimentkammeret. Lukk deretter luftavlastningsventilen og slå på pumpen, så vil turbulensen i vannet havne i sedimentkammeret og skylle ut resten av sedimentene. Straks sedimentkammeret er rengjort, lukk tømmeventilen, start pumpen og lukke luftavlastningsventilen så snart vannet flyter ut gjennom luftavlastningsventilen.

UTILSTREKKELIG VANNTRYKK

I situasjoner hvor vannflyten fra pumpen ikke er sterk nok til å fjerne sedimentene ut av sedimentkammeret. Waterco anbefaler montering av en 2-veisventil etter MultiCyclone på returledningen til bassengvannet.

2-veisventilen benyttes til å begrense vannflyten ut av MultiCyclone, øke vannturbulensen gjennom sedimentkammeret og forbedre dens tømming.

Åpne tømmeventilen mens pumpen er i drift og lukk deretter 2-veisventilen delvis, for å begrense vannflyten tilstrekkelig til å tømme oppsamlede sedimenter fra sedimentkammeret. Når sedimentkammeret er rent, åpne 2-veisventilen og lukk deretter tømmeventilen.

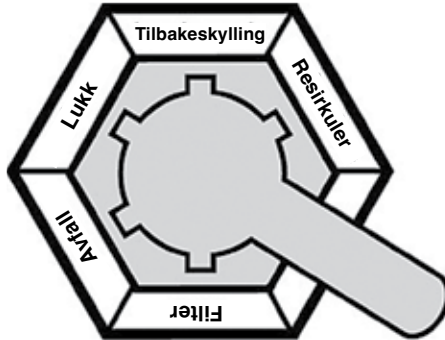


Installasjon med 2-veis stengeventil
Patronfilter

⚠ ADVARSEL

Ikke lukk 2-veisventilen før tømmeventilen åpnes, og ikke lukk tømmeventilen mens 2-veisventilen er lukket eller delvis lukket. Begge ventiler bør ikke være lukket eller delvis lukket samtidig.

Dersom MultiCyclone er installert som et forhåndsfilter til et mediefilter, kan vannflyten til mediafilteret lukkes via mediefilterets multiportventil.*



***MERK:** Denne posisjonen er ikke tilgjengelig på 4-veis Multiport-ventiler.

GENERELL VEDLIKEHOLDSINSTRUKS

For å sikre MultiCyclone en maksimal levetid må prosedyrene under følges:

1. Foreta visuell overvåking av det transparente sedimentkammeret til MultiCyclone. Rengjør sedimentkammeret når det er halvfullt med oppsamlede sedimenter.
2. Bevar en kjemisk korrekt balanse i ditt basseng-/spa-vann. Den kjemiske balansen i vannet er et forhold mellom dets pH, totale alkalitet, kalsiumhardhet og vanntemperatur. Vannet må alltid holdes på følgende nivå:

PH-NIVÅ	: MELLOM 7,2 & 7,8.
TOTALE ALKALITET	: MELLOM 80 & 150 ppm.
KALSIUMHARDHET	: MELLOM 150 & 300 ppm.

Og vær innenfor disse grensene dessuten balansert opp mot Langelier metningsindeks innenfor en skala mellom -0,2 til +0,2.

Merk: Testutstyr for egen kontroll av vannet er tilgjengelig. Alternativt kan du ta med en vannprøve til en autorisert basseng/spa-forhandler.

3. Rørvanns- og grunnvannskilder må hele tiden overvåkes. Metning (liv) i rørvann eller brønn (grunnvann) vil variere avhengig av vannkvalitet.
4. For å hindre skade på pumpen og filteret og for en ordentlig drift av systemet, rengjør pumpenett og skimmerkurven regelmessig.
5. Erstatt trykkmåleren ved feilaktige avlesninger.

VINTERKLARGJØRING

Ordentlige prosedyrer må alltid utføres for å beskytte filteret ditt i kaldt klima (temperaturer under frysepunktet).

1. Slå av pumpen/lukk innsugsventilen.
2. Åpne luftavlastningsventilen og åpne tømmeventilen for å la vannet flyte ut av MultiCyclone.
 - a. Mediefilter, betjen håndtaket til multiportventilen for vinterklargjøringsposisjonen (mellom filter og avfall).
 - b. Patronfilter, åpne luftavlastningsventilen. Dette lar luften gå gjennom til alle porter.
3. Fjern alle avløpsplugger fra pumpen.
4. Tapp ut vannet fra rørarbeidet.

FEILSØKINGSVEILEDNING

Symptomer	Mulige problemer/løsninger
Vannet er ikke klart	For lavt desinfeksjonsnivå.
	Feil bassengkjemi.
	Mye bading og/eller store mengder skitt.
	Feil gjennomstrømning.
	Utilstrekkelig driftstid. (Øk pumpens driftstid.)
	Filteret er skittent. (Rengjør iht. instruksjonene.)
	Hull i filterelementet.
	Luftlekkasje på sugeledningen
	Pumpens impellerblad blokkert
	Andre hindringer inkluderer (bassengsugerengjørere) motstand fra annet tilknyttet utstyr, som siler.
Pumpen ikke påfylt.	
Lav vanngjennomstrømning	Sjekk silkurvene for avfall.
	Se etter luftlekkasjer på sugesiden.
	Se etter restriksjoner eller blokkeringer i enten suge- eller returledningene.
	Systemfilteret må rengjøres eller byttes.
	For lavt nivå på bassengvannet.
	Pumpen ikke påfylt.
	Pumpens impellerblad blokkert.
	Silkurvene benyttes ikke og/eller rengjøres ikke jevnlig.
Pumpen opererer under hastighet (lavspenning).	
Korte filtersykluser	Algeforekomst, sjekk andelen av desinfeksjonsmiddelet.
	Sjekk pH-verdi og total alkalitet.
	Pumpeutløpet overskrider tiltenkt flytrate hos filteret, sjekk pumpeytelse.
	Ineffektiv rengjøring, sjekk forholdene hos sedimentkammeret.
Høyt oppstartstrykk	Liten returdyseåpning i basseng/spa.
	Delvis stengt ventil på returlinjen.
	For stor pumpe, sjekk utvalg.

GARANTI

MultiCyclone dekkes av en 3-årsgaranti. Kommersielle installasjoner har en 1-årsgaranti.

Vennligst se Watercos garantivilkår og -betingelser.



قواعد السلامة العامة

1. صُممت الماكينات والمعدات التي ورد ذكرها في هذا الدليل خصيصًا من أجل الفترة المسبقة وإعادة تدوير المياه في أحواض السباحة.
2. صُممت الماكينات والمعدات بحيث تعمل باستخدام المياه النقية عند درجة حرارة لا تزيد عن 45 درجة مئوية (113 درجة فهرنهايت).
3. ينبغي تنفيذ عملية التركيب طبقًا لتعليمات الأمان الخاصة بأحواض السباحة، وبخاصة المعيار 702-7-60364 HD، والتعليمات الخاصة بكل منشأة.
4. ينبغي اتباع قواعد الوقاية من الحوادث بعناية.
5. من الضروري الحصول مسبقًا على موافقة شركة التصنيع قبل أي تعديل يتم إدخاله على المضخة. تضمن قطع الغيار والملحقات الأصلية المعتمدة من الشركة المصنّعة الحصول على مستوى أمان مرتفع. لا تتحمل شركة تصنيع المضخة مسؤولية أي تلف أو إصابات تحدث بسبب قطع غيار أو ملحقات غير معتمدة.
6. خلال التشغيل، تتعرض بعض أجزاء المضخة والمعدات الأخرى لجهد كهربائي خطير. ولهذا لا يجوز العمل في كل مضخة أو جهاز متصل بها إلا بعد فصلها عن مصدر التيار الرئيسي وبعد فصل جهاز بدء التشغيل.
7. ينبغي أن يتأكد المستخدم أن مهام تجميع وتركيب الأجزاء ومهام الصيانة يتم تنفيذها بواسطة أشخاص معتمدين مؤهلين وأن هؤلاء الأشخاص يقرأون ولا تعليمات الخدمة والتركيب بعناية.
8. لا يتم ضمان السلامة التشغيلية للمضخة والمعدات الأخرى إلا في حالة اتباع تعليمات التركيب والخدمة بشكل صحيح.
9. ينبغي عدم تجاوز القيم المحددة في الجدول الفني تحت أي ظرف.
10. في حالة تعطل التشغيل أو حدوث خطأ، اتصل بقسم الدعم التابع لشركة التصنيع أو أقرب وكلاء معتمدين.
11. في حالة تلف سلك التيار الكهربائي، يجب استبداله بواسطة وكيل خدمة معتمد.
12. لم يتم تصميم هذا الجهاز للاستخدام من قبل أشخاص لديهم مشكلات جسدية وعقلية وحسية (بما فيهم الأطفال) أو نقص في المعرفة أو الخبرة، إلا تحت إشراف أو تعليمات بخصوص استخدامه من قبل الشخص المسؤول عن سلامتهم، وإذا كانوا يفهمون طبيعة المخاطر التي ينطوي عليها الجهاز.
13. لم يتم تصنيع هذا الجهاز ليستخدمه الأطفال. يجب مراقبة الأطفال لضمان عدم عبثهم بهذا الجهاز.
14. يجب تنفيذ كل (أعمال توصيلات الأسلاك الكهربائية) بواسطة فنيين كهربائيين معتمدين ويجب تركيبها حسب اللوائح السارية.
15. إذا كانت المضخة أو المعدات الأخرى ستركب في حوض سباحة أو بركة مائية، فيجب تركيب قاطع دائرة للتسريب الأرضي يعمل بتيار مقن للفصل لا يزيد عن 30 مللي أمبير.
16. يجب فصل المضخة عن مصدر الطاقة قبل تجميعها أو فكها أو تنظيفها.
17. في ظروف الطقس المتجمد، يجب تصريف كل المياه الموجودة في مبيت المضخة عن طريق فتح سدادات التصريف الموجودة في مبيت المضخة.

الاستخدام في أوروبا:

1. لم يتم تصميم هذا الجهاز للاستخدام من قبل أشخاص لديهم مشكلات جسدية وعقلية وحسية (بمن فيهم الأطفال البالغون من العمر 8 سنوات فأكثر) أو نقص في المعرفة أو الخبرة، إلا تحت إشراف أو تعليمات بخصوص استخدامه من قبل الشخص المسؤول عن سلامتهم.
2. يجب مراقبة الأطفال الصغار لضمان عدم عبثهم بهذا الجهاز.
3. يجب ألا يقوم الأطفال بأعمال التنظيف والصيانة دون إشراف.

جدول المحتويات

141	قواعد السلامة العامة
142	MULTICYCLONE
144	منحنى إجمالي فقد الضغط في MULTICYCLONE
144	التركيب
148	إجراءات بدء التشغيل
149	صيانة مرشح MULTICYCLONE
150	عدم كفاية ضغط الماء
151	دليل الصيانة العامة
152	الإعداد لفصل الشتاء
153	دليل استكشاف الأعطال وإصلاحها
153	الضمان



عن طريق فتح صمام Multicyclone يمكن تنظيف غرفة الرواسب في MultiCyclone. تُمكن ملاحظة تراكم الرواسب بصرًا من خلال غرفة الرواسب الشفافة في من الرواسب إلى أكثر من 15 لترًا (4 غالونات) من المياه Multicyclone التطهير. ولا يحتاج تنظيف

لفلترة الرواسب الأثقل ورتًا من الماء، أما الركام الطافي فلا تُمكن فلترته بطريقة الفلترة بالطرد المركزي ملاحظة: صُمم قسم الطرد المركزي في

الطراز	منافذ التوصيل	الحد الأدنى للتدفق	الحد الأقصى للتدفق	الحد الأقصى للضغط
MultiCyclone 12	40 مم/50م (مقاييس الاتحاد الأوروبي) لوحة تركيب سريع 1 2/1 بوصة	40 لترا في الدقيقة/2.4 ج3 في الساعة/11 غالونا في الدقيقة	300 لتر في الدقيقة/18 ج3 في الساعة/79 غالونا في الدقيقة	350 كيلو باسكال (50 رطل/بوصة مربعة)
MultiCyclone 16	50 مم/63م (مقاييس الاتحاد الأوروبي) لوحة تركيب سريع 2 بوصة	50 لترا في الدقيقة/3 ج3 في الساعة/13 غالونا في الدقيقة	500 لترا في الدقيقة/30 ج3 في الساعة/132 غالونا في الدقيقة	350 كيلو باسكال (50 رطل/بوصة مربعة)

MULTICYCLONE

MultiCyclone معدة ممتازة للفلترية المسبقة يمكنه توفير المياه وتقليل أعمال صيانة مرشحات أحواض السباحة. بناءً على مبادئ فلترية المياه بالطرد المركزي، تعمل معدة MultiCyclone على فلترية ما يصل إلى 80% من جمل الأوساخ في أحواض السباحة قبل أن تصل إلى مرشح حوض السباحة، ولا تحتاج إلى أكثر من 15 لترًا (4 غالونات) من المياه لتنظيفها.



- تقلل أعمال صيانة المرشح وتوفر المياه.
- لا توجد مادة للمرشح تحتاج إلى تنظيف أو استبدال.
- فزازات مائية متعددة.
- مناسبة للتركيبات الجديدة والموجودة.

فلترية المياه بالطرد المركزي

تدخل المياه الواردة عرضيًا إلى الفزازات المائية المتعددة الموجودة في المعدة مولدة تأثير طرد مركزي قويًا، ومن ثم يصل 80% تقريبًا من جمل الأوساخ الداخل بحركة دوامية إلى غرفة الرواسب الشفافة. بعدها تمر المياه عبر أنبوب إلى مرحلة التنقية النهائية عبر نظام فلترية مياه أحواض السباحة.

صيانة بسيطة

يمكن تنظيف غرفة الرواسب في MultiCyclone بسهولة عن طريق فتح صمام التطهير الموجود فيها. ولا يتم تصريف أكثر من 15 لترًا (4 غالونات) من المياه.

تقليل عدد مرات الغسل العكسي لمادة المرشح

يمكن لتركيب MultiCyclone كمرشح مسبق في مرشح الرمال أن يقلل عدد مرات غسله العكسي إلى مرة واحدة كل عام، ما يؤدي إلى توفير ما يصل إلى 7000 لتر (1850 غالونًا) من المياه سنويًا في حوض السباحة المنزلي متوسط الحجم.

40م/50م (مقابلين الاتحاد الأوروبي) لوصلة تركيب
سريع 1 2/1 بوصة

تقليل عدد مرات تنظيف خرطوشة المرشح واستبدالها

يمكن لتركيب MultiCyclone كمرشح مسبق في مرشح خرطوشة أن يقلل الحاجة إلى تنظيف الخرطوشة واستبدالها إلى مرة واحدة كل موسم سباحة، وربما ما يصل إلى مرة واحدة كل عام، وذلك بناءً على حجم مرشح الخرطوشة.

التركيب القياسي

1. ضع المرشح بالقرب من حمام السباحة/السيا قدر الإمكان.
2. ضع المرشح في مكان حيث لا يتعرض للغمر، بعيدًا عن الأحواض أو الميزاب أو تجاويف الحديقة، وما إلى ذلك.
3. ضع المرشح بحيث تكون توصيلات الأنابيب وصمام التطهير وصمام تحرير الهواء ملائمة ويُمكن الوصول إليها لأغراض التشغيل والصيانة والإعداد لفصل الشتاء.
4. احرص على أن يواجه ملسق الامتثال الجبهة الأمامية لتمكين التعرف السهل.
5. ينبغي وضع المرشح على بلاطة خرسانية مستوية أو أرض متماسكة جدًا، أو ما يعادلها. وتأكد من أن الأرض لن تهبط لمنع أي ضغط على توصيلات الشبكة الموصلة.
6. تأكد من عدم حركة المرشح أثناء تشغيل صمام التطهير.
7. اترك خلوصًا حول المرشح يكفي لفحص النظام بأكمله بالنظر.

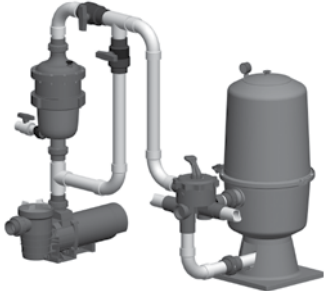
*ملاحظة: تحتاج مرشحات الأرض الدياتومية (DE) إلى تحويل



التركيب القياسي مع المرشح ذي مادة الترشيح

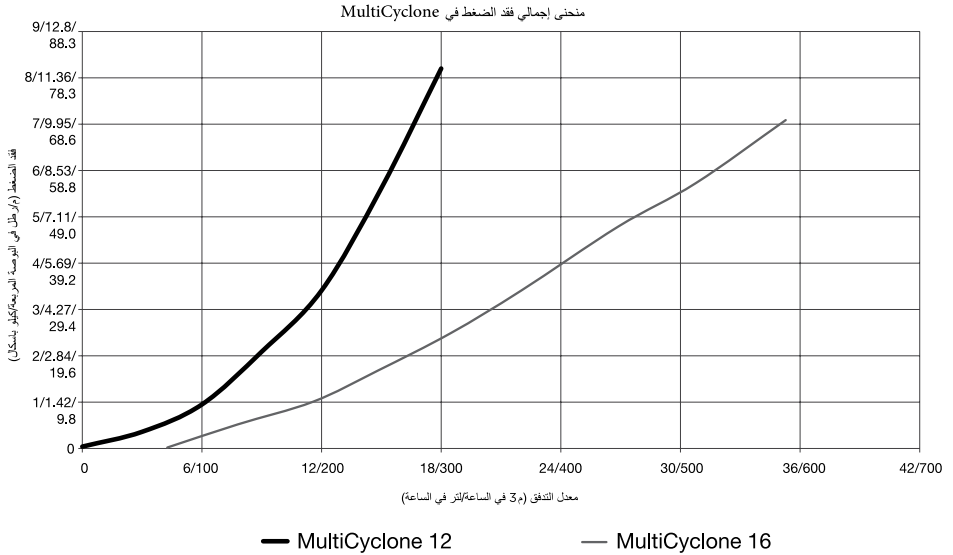


التركيب القياسي مع المرشح ذي الخرطوشة



التركيب القياسي مع مرشح الأرض الدياتومية (DE)

منحنى إجمالي فقد الضغط في MULTICYCLONE PLUS



التركيب

1. تأكد من الالتزام بلوائح الشبكة المحلية.
2. تأكد من أن توافق جميع شروط التخلص من مياه الصرف مع اللوائح المعمول بها محليًا أو على مستوى الولاية أو على المستوى الوطني. لا تصرف المياه إلى مكان يمكن أن تسبب فيه فيضانات أو تلفًا.
3. إذا كان ضغط المياه الداخلة أعلى من الحد الأقصى لضغط التشغيل البالغ 350 كيلو باسكال/3.5 بار/50 رطلًا في البوصة المربعة، يجب تركيب صمام لتنظيم الضغط قبل مدخل المرشح.
4. ويجب ضبط صمام تنظيم الضغط على 90% من الحد الأقصى لضغط التشغيل الخاص بالخزان.
5. إذا كان معدل تدفق المياه الداخلة أقل من الحد الأدنى لمتطلبات التدفق في المرشح، ستتأثر كفاءة عملية الفلترة التي يؤديها المرشح، فيرجى الرجوع إلى Waterco

اربط الجلب الأسطوانية النصفية والأطراف في المدخل والمخرج قبل لصق أنبوب UPVC بالمرشح.



ملاحظة: لا تضع مانع تسرب من النوع السائل أو شريط منع تسرب من الأسنان على أسنان المدخل أو المخرج في MultiCyclone أو على أسنان الجلبة الأسطوانية.

لا تستخدم سوى الغراء الموصى به لأنابيب وتركيبات التوصيل.

فُص الأنابيب والتركيبات بقياس مناسب وركبها في MultiCyclone والمضخة. راجع دليل تركيب المضخة للتعرف على إجراءات السباكة الصحيحة للمضخة.

تنص الممارسات المثلى على تركيب جميع الأنابيب والتركيبات في نظام الفلتر قبل اللصق بالغراء، فمن شأن ذلك أن يضمن المحاذاة الصحيحة لمكونات النظام.

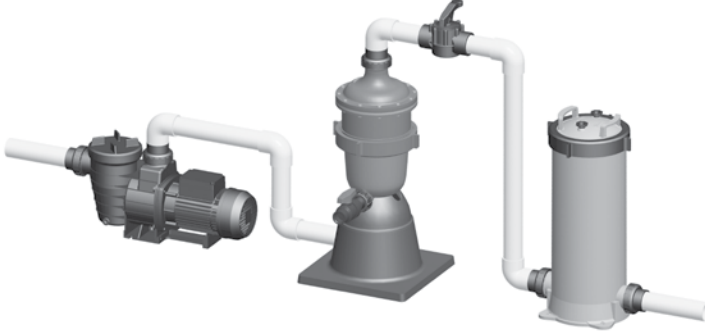
الصق الأنابيب والتركيبات بالغراء في المضخة والمرشح والخطوط العائدة إلى حوض السباحة، واترك الغراء يتصلب لمدة 24 ساعة قبل بدء تشغيل النظام.

وصلات السباكة

1. تأكد من تركيب صمام سفلي/لا رجعي إذا تم تركيب المضخة على مسافة 500 مم/20 بوصة فوق مستوى الماء.
 2. إذا تم تركيب المرشح تحت مستوى الماء أو توصيله بخط تغذية المياه الرئيسي، فيجب تركيب صمامات العزل عند مدخل ومخرج المرشح. وسيمنع هذا تدفق المياه خلال أي صيانة روتينية.
 3. قلل من طول الأنابيب وعدد التوصيلات لتقليل قيود تدفق المياه.
 4. صل الأنابيب الممتد من مخرج المضخة إلى مدخل MultiCyclone.
 5. صل من الأنابيب الممتد من مخرج MultiCyclone إلى المكون التالي في الخط مع نظام الفلتر.
 6. الصق بالغراء جميع وصلات السباكة بوصلات الجلب الأسطوانية طبقاً لتعليمات الشركة المصنعة للغراء (المنذوب) واتركها تتصلب لمدة 24 ساعة. يجب عدم استخدام الغراء (المنذوب) بشكل مفرط على الوصلات، إذ يُمكن أن تصل إلى الحلقات الدائرية المطاطية وتسبب في مشكلات تتعلق بمنع التسرب.
- ملاحظة: توصي Waterco بتركيب صمام غلق بعد MultiCyclone على الخطوط العائدة إلى حوض السباحة للمساعدة في تصريف الشوائب المتراكمة. يُرجى الرجوع إلى قسم "عدم كفاية ضغط الماء".
7. صل بخط النفايات. الصق بالغراء وصلات السباكة من صمام تطهير الرواسب في خط النفايات أو المصرف أو منطقة التصريف المناسبة.
 8. شغّل مضخة حوض السباحة. احرص على التحقق من عدم وجود تسريبات من الموصلات. وأحكّم ربطها باليد عند الحاجة.

حامل التثبيت الاختياري

يتوفر أيضا حامل تثبيت اختياري للحالات التي لا يمكن فيها تركيب MultiCyclone فوق مضخة حوض السباحة مباشرة.



التركيب مع حامل التثبيت الاختياري

السباكة

1. تأكد من أن ضغط الماء الوارد في نطاق ضغط التشغيل الموصى به للمرشح وتأكد من تركيب صمام تخفيف ضغط في حالة استخدام خط تغذية المياه الرئيسي أو مضخة ضغط عالٍ.
2. تأكد من تركيب صمام سفلي/لا رجعي إذا تم تركيب المضخة على مسافة 500 مم/20 بوصة فوق مستوى الماء.
3. إذا تم تركيب المرشح تحت مستوى الماء أو توصيله بخط تغذية المياه الرئيسي، فيجب تركيب صمامات العزل عند مدخل ومخرج المرشح. وسيمنع هذا تدفق المياه خلال أي صيانة روتينية.
4. قلل من طول الأنابيب وعدد التوصيلات لتقليل قيود تدفق المياه.
5. تأكد من تغطية جميع وصلات السباكة بالغراء وإحكام ربطها لمنع التسرب.
6. يجب عدم استخدام المذيبات بشكل مفرط على الوصلات، إذ يُمكن أن تصل إلى الحلقات الدائرية المطاطية وتتسبب في مشكلات تتعلق بمنع التسرب.
7. لا تُفرط في إحكام ربط الوصلات أو المهابنات.

صيانة مرشح MULTICYCLONE

تُحدد أعمال صيانة مرشح MultiCyclone تبعًا للظروف التالية:

1. امتلاء غرفة الرواسب حتى منتصفها بالرواسب. تُمكن ملاحظة تراكم الرواسب هذا بصريًا من خلال غرفة الرواسب الشفافة في MultiCyclone. يمكن تنظيف MultiCyclone عن طريق فتح صمام التطهير. ولا يحتاج تنظيف MultiCyclone من الرواسب إلى أكثر من 15 لترًا (4 غالونات) من المياه.

رحض غرفة الرواسب

أثناء عمل المضخة:

أثناء عمل المضخة، فقط افتح صمام تطهير الرواسب حتى رحض جميع الرواسب. وسيُمكنك رؤية ذلك من خلال غرفة الرواسب الشفافة. وفور رحض الرواسب، أغلق صمام التطهير.

أثناء توقف المضخة:

يمكنك بدلاً من الإجراء السابق إيقاف تشغيل المضخة. افتح صمام تحرير الهواء ثم افتح صمام التطهير. سوف تنخفض المياه عبر MultiCyclone طاردة معها معظم الركام من غرفة الرواسب. بعد ذلك أغلق صمام تحرير الهواء وشغّل المضخة، وسوف يؤدي اضطراب المياه الداخلة إلى غرفة الرواسب إلى رحض بقية الرواسب. فور تنظيف غرفة الرواسب، أغلق صمام التطهير، وشغّل المضخة وأغلق صمام تحرير الهواء فور تدفق المياه خارجة منه.

إجراء بدء التشغيل

MultiCyclone نظام فلتره متطور وعالي الكفاءة يوفر لك سنين من العمل دون أية مشكلات في حال الالتزام بإجراءات الصيانة التالية.

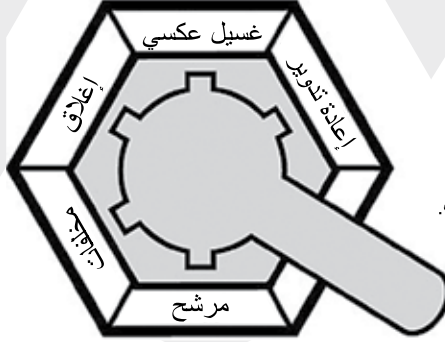
لبدء تشغيل نظام الفلتره؛ سواء أكان جديدًا أو بعد عملية التنظيف، فالإجراءات متطابقة تمامًا في الحالتين.

1. تأكد من إعداد وصلات سباكة MultiCyclone بالشكل الصحيح.
 2. تأكد من فتح جميع الصمامات المركبة قبل MultiCyclone وبعده.
 3. افتح صمام تحرير الهواء الموجود في أعلى مرشح MultiCyclone
 4. حضّر مضخة حوض السباحة. (راجع دليل تركيب وتشغيل المضخة).
 5. شغّل مضخة حوض السباحة، واترك المضخة تعمل حتى طرد الهواء كله من MultiCyclone وسوف تخرج المياه من صمام تحرير الهواء.
 6. أعد إحكام ربط صمام تحرير الهواء.
 7. أصبح المرشح الآن محضرًا وجاهزًا للتشغيل.
- ملاحظة: في بعض الحالات، قد يكون تنفيذ هذا الإجراء بضع مرات مطلوبًا قبل العمل لتظل الوحدة مُحضرة وفي حالة تشغيلية مناسبة تمامًا.



لا تقف فوق MultitCyclone أثناء تعديل صمام تحرير الهواء لتطهير النظام من الهواء.

فقد تقع إصابة عند فك صمام تحرير الهواء.



*ملاحظة: هذا الوضع غير متاح في الصمامات متعددة المنافذ ذات 4 اتجاهات.

دليل الصيانة العامة

لضمان أقصى عمر افتراضي لـ MultiCyclone، يُرجى أتباع الإجراءات التالية:

1. افحص غرفة الرواسب الشفافة في MultiCyclone بصرياً. نظف غرفة الرواسب عند وصول الرواسب المتراكمة إلى منتصفها.

2. حافظ على توازن المواد الكيميائية الصحيح بمياه حمام السباحة/السبا. توازن المواد الكيميائية للمياه هو علاقة بين أسها الهيدروجيني وإجمالي القلوية وعسر الكالسيوم ودرجة حرارة المياه. يجب إبقاء المياه في جميع الأوقات على النحو التالي:

مستوى الأس الهيدروجيني:	بين 7.2 و 7.8
إجمالي القلوية	: بين 80 و 150 جزء في المليون.
عسر الكالسيوم	: بين 150 و 300 جزء في المليون.

ضمن درجات التفاوت هذه تجري الموازنة وفقاً لمؤشر تشبع لانجلير ضمن نطاق يتراوح بين -0.2 و +0.2

ملاحظة: تتوفر مجموعات الاختبار لاختبار المياه بنفسك، أو يمكنك بدلاً من ذلك إحضار عينة من المياه لفني مختص في أحواض السباحة والسبا.

3. تجب مراقبة إمدادات المياه الرئيسية وإمدادات المياه الريفية. إن التشبع (الحياة) في إمدادات المياه الرئيسية أو الجوفية (الريفية) سوف يختلف بناء على نوعية المياه.

4. لمنع تلف المضخة والمرشح وللتشغيل السليم للنظام، نظّف مصفاة المضخة ولسال المقشدة بانتظام.

5. استبدل مقياس الضغط إذا لاحظت قراءات معيبة.

عدم كفاية ضغط الماء

في الحالات التي لا يكون فيها ضغط المياه الخارجة من المضخة كافيًا، طهر الرواسب من غرفة الرواسب. وتوصي Waterco بتثبيت صمام ثنائي الاتجاه بعد MultiCyclone على الخط المياه العائدة إلى حوض السباحة.

يستخدم الصمام ثنائي الاتجاه لتضيق مسار تدفق المياه الخارجة من MultiCyclone، ومن ثم زيادة اضطراب المياه المارة عبر غرفة الرواسب وتحسين عملية التطهير.

أثناء عمل المضخة، افتح صمام التطهير، ثم أغلق الصمام ثنائي الاتجاه جزئيًا لتضيق مسار تدفق المياه بما يكفي لتطهير غرفة الرواسب من الرواسب العالقة فيها. فور تنظيف غرفة الرواسب، افتح الصمام ثنائي الاتجاه ثم أغلق صمام التطهير.



تركيب صمام غلق ثنائي الاتجاه مع مرشح بخرطوشة



لا تغلق الصمام ثنائي الاتجاه قبل فتح صمام التطهير، ولا تغلق صمام التطهير في وقت إغلاق الصمام ثنائي الاتجاه أو إغلاقه جزئيًا. يجب عدم إغلاق الصمامين معًا مطلقًا ولا إغلاقهما معًا جزئيًا في ذات الوقت.

في حال تركيب MultiCyclone كمرشح مسبق في مرشح بمادة ترشيح، يمكن إغلاق تدفق المياه إلى المرشح من خلال الصمام متعدد المنافذ الخاص بالمرشح ذي مادة الترشيح.

دليل استكشاف الأعطال وإصلاحها

الأعراض	المشكلات/الحلول المحتملة
المياه ليست صافية	مستوى مطهر الجراثيم غير كافٍ.
	المادة الكيميائية في حوض السباحة غير مناسبة.
	كثافة في الاستخدام و/أو أحمال الأوساخ.
	التدفق غير صحيح.
	أزمنة التشغيل غير كافية. (قم بزيادة زمن تشغيل المضخة).
	المرشح متسخ. (نظف طبقاً للتعليمات).
	ثقب في عنصر المرشح.
	تسرب الهواء في خط الشفط
	أرياش مروحة دفع المضخة عالقة
	معوقات أخرى مثل وجود مقاومة (لمنظفات حثام السباحة التي تعمل بالشفط) من معدات داخلية أخرى مثل المصافي.
عدم تحضير المضخة.	
انخفاض تدفق المياه	افحص سبلال المصفاة للتأكد من وجود ركام فيها.
	تحقق من وجود تسرب للهواء في جانب الشفط.
	تحقق من وجود أي عوائق أو انسدادات في خطوط الشفط أو الخطوط العائدة.
	يحتاج مرشح النظام إلى تنظيف أو استبدال.
	مستوى مياه حوض السباحة أدنى من اللازم.
	عدم تحضير المضخة.
	أرياش مروحة دفع المضخة عالقة.
سبلال المصفاة لا تستخدم و/أو لا تُنظف بانتظام.	
المضخة تعمل بسرعة منخفضة (الجهد الكهربائي منخفض).	
دورات ترشيح قصيرة	وجود طحالب، افحص محتوى مطهر الجراثيم.
	افحص الأس الهيدروجيني وإجمالي القلوية.
	مخرج المضخة أعلى من معدل تدفق المرشح، تحقق من أداء المضخة.
التنظيف غير فعال، افحص حالة غرفة الرواسب.	
ارتفاع الضغط عند بدء التشغيل	الوصلة الكروية المتحركة في حوض السباحة/السبا صغيرة.
	الصمام مغلق جزئياً على خط العودة.
	المضخة أكبر من اللازم، تحقق من الاختيار.

الضمان

تأتي MultiCyclone مشمولة بضمان لمدة 3 سنوات. أما التركيب للأغراض التجارية فمشمول بضمان لمدة سنة واحدة.

الرجاء مراجعة شروط وأحكام ضمان شركة Waterco



ملاحظة: تتوفر نسخة إلكترونية من دليل ضمان Waterco على الموقع الإلكتروني لشركة Waterco عبر الرابط www.waterco.com، أو يمكنك مسح رمز الاستجابة السريعة (QR code).

الإعداد لفصل الشتاء

ينبغي دائمًا اتخاذ الإجراءات المناسبة لحماية المرشح في المناخات الباردة (درجات الحرارة الأقل من نقطة التجمد).

1. أوقف تشغيل المضخة/أغلق صمام دخول المياه.

2. افتح صمام تحرير الهواء وافتح صمام التطهير للسماح للمياه بالتدفق خارج MultiCyclone

a. المرشح ذو مادة الترشيح، حرك مقبض الصمام متعدد المنافذ إلى وضع winterise (الإعداد لفصل الشتاء) (بين وضعي Filter (المرشح) و Waste (الصرف)).

b. مرشح الخرطوشة، افتح صمام تحرير الهواء. سيسمح ذلك بمرور الهواء عبر جميع المنافذ.

3. انزع أي سدادات تصريف من المضخة.

4. اصرف المياه من مكونات المضخة.

目录

一般安全规则	155
MULTICYCLONE	156
MULTICYCLONE 总水头损失曲线	158
安装	158
启动程序	162
MULTICYCLONE 过滤器的维护	163
水压不足	164
一般维护指南	165
防冻	166
故障排除指南	167
质保	167

一般安全规则

1. 本手册中所述机器与设备专为泳池水的预过滤和再循环而设计。
2. 它们专门设计用于在不超过**45摄氏度（113华氏度）**的温度下处理清洁水。
3. 应当根据泳池安全说明，尤其是 **HD 60364-7-702 标准**，以及每类设施的具体说明进行安装。
4. 应当小心遵循事故预防规则。
5. 对水泵进行任何改装需要获得**制造商的事先同意**。制造商授权的原厂替代零件和配件可确保较高的安全水平。水泵制造商对于**非授权替代零件和配件造成的损坏和伤害**不承担责任。
6. 运行期间，水泵的某些零件和其他设备可能受到危险电压的损坏。仅当水泵或与之连接的设备**断开市电电源，并且断开启动设备后**，才能对其开展操作。
7. 用户应当确保由**符合资质的获授权人员**开展组装和维护任务，并且这些人员已事先仔细阅读服务和安装说明。
8. 仅当正确遵守安装和维修说明时，水泵和其他设备的安全运行才有保障。
9. **在任何情况下，均不得超出技术表中规定的限值。**
10. 若出现带故障运行或故障，请联系制造商的技术支持部门或者最近的获授权代理。
11. 若电源线损坏，必须由获授权的维修代理进行更换。
12. 对于身体、感官或精神状态不佳的人员或者缺乏经验和知识的人员（包括儿童），除非有对其安全负责的人员监督，或者对其进行了关于设备使用的说明介绍，且其了解相关危险，否则不能由其使用设备。
13. 该设备不可由幼儿使用。应当监管幼儿，确保其不触碰设备。
14. 所有线路工作（电气工作）必须由具备执业资格的电工依照当地法规完成。
15. 若水泵和其他设备安装在泳池或池塘边，必须安装一个额定跳闸电流不超过 30mA 的对地漏电路断路器。
16. 在组装、拆卸或清洗之前，务必断开设备的电源连接。
17. 在冰冻天气下，必须打开泵壳上的排水塞，将泵壳中的水完全排出。

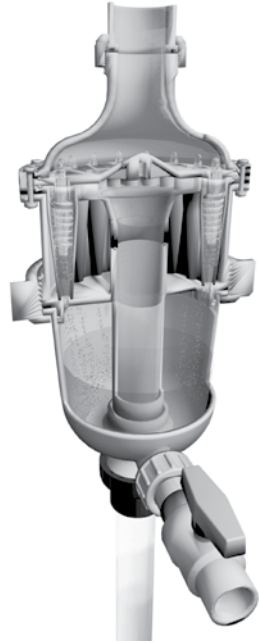
欧洲境内使用须知:

1. 凡肢体能力不健全者、感官迟钝者、心智不健全者、经验知识欠缺者，包括八岁及以上儿童，均不宜使用本电器，除非有人负责其安全，在旁照看或指导其操作。
2. 儿童应有人照看，切勿让儿童摆弄本电器。
3. 若无人旁照看，切勿让儿童清洁、维护本电器。

MULTICYCLONE

MultiCyclone是一款出色的预过滤设备，在节水的同时，还可以最大限度地减少对泳池过滤器的维护。基于离心过滤原理，MultiCyclone 在泳池污垢到达泳池过滤器之前可以过滤高达80% 的污垢，并且只需 15 升（4加仑）水即可清洁。

- 最大限度地减少过滤器维护并节约用水。
- 没有需要清洁或更换的过滤介质。
- 多个水力旋流器。
- 适合新装和已装设备。



离心水过滤

进水切向进入多个水力旋流器，产生强大的离心效应。随进水而来的污垢，约 80% 会螺旋落入透明的沉积池。抛光后的水经泳池过滤系统流回至泳池。

维护简单

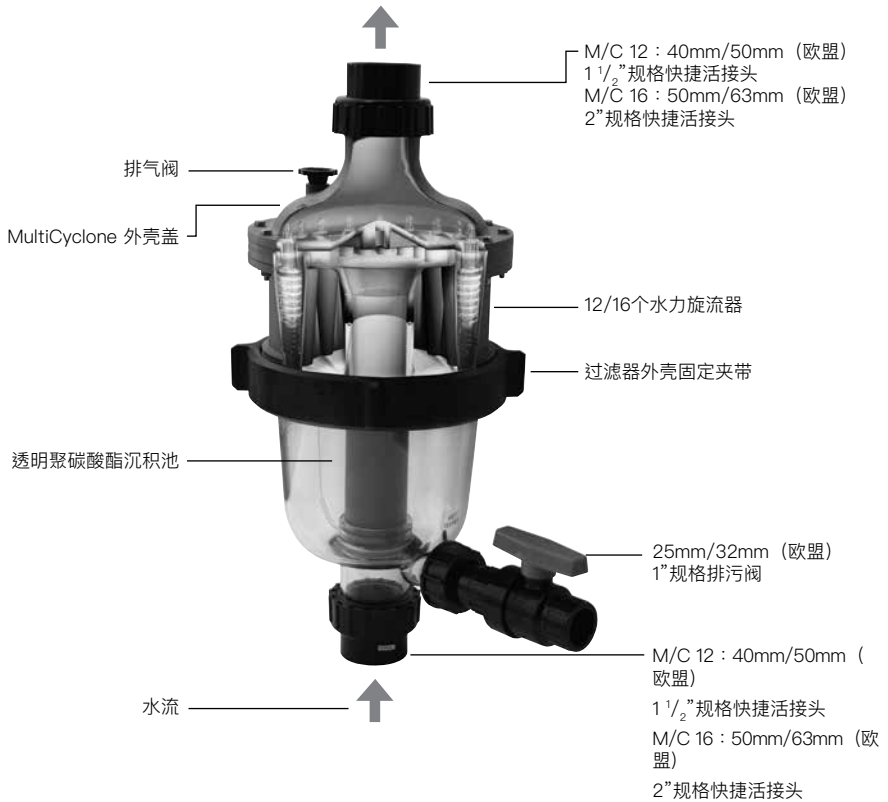
清洁 MultiCyclone 沉积池十分简单，打开排污阀即可。排污过程仅用水 15 升（4 加仑）。

尽可能降低介质过滤器的反向冲洗频率

为砂石过滤器安装 MultiCyclone 预过滤器可以将其反向冲洗频率降至每年一次。以一个家用普通大小的泳池计算，每年由此最多可节省 7000 升（1850 加仑）水。

充分减少滤芯清洁和更换的需要

为滤芯式过滤器安装 MultiCyclone 可以将滤芯清洁和更换的所需频率降至每个游泳季一次，甚至每年一次，具体取决于滤芯的大小。

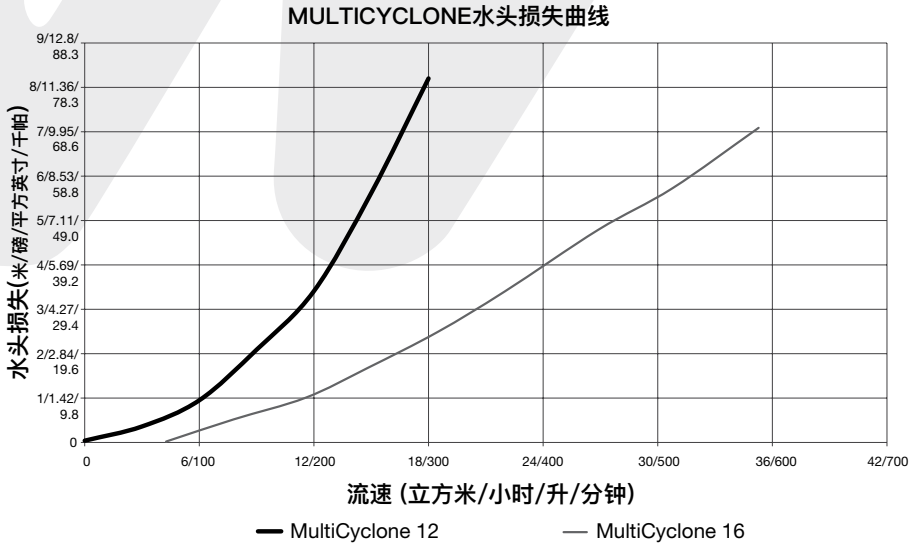


MultiCyclone 的沉积池为透明材质，肉眼即可直接观察污物的沉积情况。清洁 MultiCyclone 沉积池十分简单，打开排污阀即可。清洗 MultiCyclone 沉积池只需放 15 升（4 加仑）水。

注意：按照设计，MultiCyclone 的离心部分旨在滤除密度比水大的沉积物。漂浮的杂物无法通过离心过滤滤除。

型号	接口	最小流量	最大流量	最大压力
MultiCyclone 12	40mm/50mm (欧盟) 1 1/2"规格快捷活接头	40lpm/2.4立方米/小时/11gpm	300lpm/18立方米/小时/79gpm	350 kPa (50psi)
MultiCyclone 16	50mm/63mm (欧盟) 2"规格快捷活接头	50lpm/3立方米/小时/13gpm	500lpm/30立方米/小时/132gpm	350 kPa (50psi)

MULTICYCLONE PLUS 总水头损失曲线



安装

务必遵守当地的管道系统规范。

确保所有废水处理做法符合当地、州/省或国家法规。切勿将水排放到可能引起洪水或损坏的地方。

如果进水压力高于最大工作压力 350kPa/3.5Bar/50psi，则必须在过滤器进口上游安装压力调节阀。

压力调节阀应设置为水罐最大工作压力的 90%。

如果进水流速低于过滤器的最小流速要求，过滤器的过滤效率将会受到影响，请咨询运水高。

典型安装

1. 将过滤器放置在尽可能靠近泳池/水疗池的位置。
2. 将过滤器放置在不会被洪水淹没且远离污水坑、排水沟、花园洼地等的位置。
3. 放置过滤器时，应确保管道连接排污阀和排气阀方便且易于操作、维修和防冻。
4. 确保合规标签面向正面，以便于识别。
5. 过滤器应放置在水平混凝土板、非常坚固的地面或类似界面上。确保地面不会下沉，以防对连接的管道产生任何压力。
6. 排污阀运行期间确保过滤器不发生移动。
7. 过滤器周围留有足够的间隙，以便目视检查整个系统。

*注意：硅藻土过滤器需要旁路



与介质过滤器的典型安装



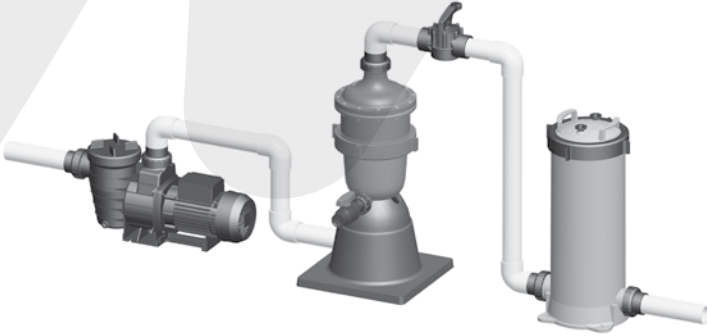
与滤芯式过滤器的典型安装



与硅藻土过滤器的典型安装

可选安装支架

若 MultiCyclone 无法直接安装在泳池泵上方，您还可以选择安装支架。



带可选安装支架的安装

管道系统

1. 检查进水压力是否在过滤器的建议工作压力范围内；如果使用自来水或高压泵，应确保安装限压阀。
2. 如果水泵安装位置超过水位以上 500 毫米（20 英寸），应安装底阀/止回阀。
3. 如果过滤器安装在水位以下或连接到自来水，应在过滤器的进口和出口位置安装隔离阀。这将防止在日常维护过程中出现水流。
4. 尽量减少管道长度和配件数量，以此将对水流的限制降至最低
5. 确保所有管道连接均已粘合并紧固，以防泄漏。
6. 确保接头处不要涂抹过多的溶剂，以防其进入“O”型圈并产生密封问题。
7. 切勿过度拧紧接头或适配器。

将 UPVC 管道粘合到过滤器上之前，将提供的半管活接头和尾管接头拧到进口和出口上。

警告

注意：切勿在 MultiCyclone 进口或出口的螺纹上或连接管道活接头的螺纹上使用液体密封胶或螺纹胶带。

仅使用推荐的胶水连接管道和配件

将管道和配件按需切割并安装到 MultiCyclone 和水泵上。请**参阅**水泵安装手册，了解正确的水泵管道安装程序。

最佳做法是在粘合之前将所有切割好的管道和配件安装到过滤系统上；这将确保系统已**正确对齐**。

将管道和配件粘合到水泵、过滤器和泳池回流管路上，**静待胶水凝固 24 小时**，然后再调试系统。

管道连接

1. 如果水泵安装位置超过水位以上 500 毫米（20 英寸），应安装底阀/止回阀。
2. 如果过滤器安装在水位以下或连接到自来水，应在过滤器的进口和出口位置安装隔离阀。这将防止在日常维护过程中出现水流。
3. 尽量减少管道长度和配件数量，以此将对水流的限制降至最低。
4. 连接从水泵出口延伸到 MultiCyclone 进口的管道。
5. 将从 MultiCyclone 出口延伸的管道连接到过滤系统的下一个组件。
6. 根据胶水（溶剂）制造商的规格，将所有管道粘合到管道活接头配件上，然后静置 24 小时待其凝固。确保接头处不要涂抹过多的胶水（溶剂），以防其进入“O”型圈并产生密封问题。

注意：运水高建议，在 MultiCyclone 之后的泳池回流管路上安装截止阀，以帮助冲洗收集到的杂物。请**参阅**“水压不足”部分。

7. 连接至废水管路。将沉积物排污阀的管道粘合到废水管路、排水管或适当的排水区域。
8. 打开泳池水泵。务必检查各连接处是否有泄漏。如有需要，用手拧紧。

启动程序

MultiCyclone 是一款先进、高效的过滤系统；如果遵循以下维护程序，它可为您提供多年的无忧服务。无论是新安装好还是清洁工作之后，该过滤系统的启动流程完全相同。

1. 确保 MultiCyclone 管道连接正确。
2. 确保安装在 MultiCyclone 之前和之后的所有阀门均打开。
3. 松开 MultiCyclone过滤器顶部的排气阀。
4. 启动泳池水泵。（请参阅水泵安装和操作手册）
5. 打开泳池水泵让其运行，直到所有空气从 MultiCyclone 中排出。水将从排气阀流出。
6. 重新拧紧排气阀。
7. 过滤器已启动并准备好运行。

注意：在某些情况下，可能需要执行几次此操作才能使设备保持启动并完全运行。

警告

调节排气阀以清除系统内的空气时，切勿站在 MultitCyclone 上方。

如果排气阀松动，可能会导致受伤。

MULTICYCLONE 过滤器的维护

对 MultiCyclone 过滤器的维护取决于以下状况:

1. 沉积池的一半充满沉积物。MultiCyclone 的沉积池为透明材质，肉眼即可直接观察污物的沉积情况。清洁 MultiCyclone 沉积池十分简单，打开排污阀即可。清洗 MultiCyclone 沉积池只需放 15 升（4 加仑）水。

冲洗沉积池

水泵运行时:

当水泵运行时，只需打开沉积物排污阀，直到将沉积物冲掉。通过透明的沉积池可以肉眼看到具体情况。沉积物被冲出后，关闭排污阀。

水泵未运行时:

可以关闭水泵。打开排气阀，然后打开排污阀。水将流经 MultiCyclone，冲走沉积池中的大部分物。然后关闭排气阀、打开水泵，进入沉积池的水的湍流会将剩余的沉积物冲出。将沉积池清理完毕后，关闭排污阀、启动水泵，待水通过排气阀流出后，关闭排气阀。

水压不足

若水泵的水流不足以将沉积池中的沉积物清除，运水高建议在 MultiCyclone 之后的泳池回水管路上安装一个二通阀。

该二通阀可用于节流从 MultiCyclone 流出的水流，增加通过沉积池的水湍流并改善其净化作用。

当水泵运行时，打开排污阀，然后部分关闭二通阀，充分节流水流以冲洗沉积池中截留的沉积物。完成沉积池的清洁后，打开二通阀，然后关闭排污阀。

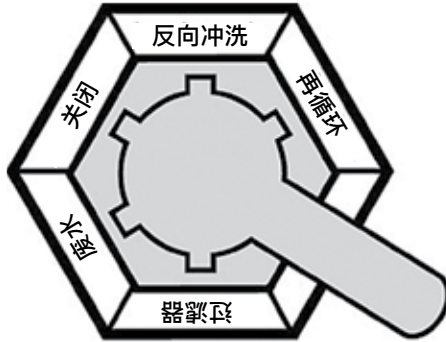


带二通截止阀滤芯式过滤器的安装

警告

在打开排污阀之前切勿关闭二通阀；二通阀关闭或部分关闭时，切勿关闭排污阀。两个阀门绝不能同时关闭或部分关闭。

如果将 MultiCyclone 作为介质过滤器的预过滤设备进行安装，则可以通过介质过滤器的多路阀关闭流向介质过滤器的水流。*



*注意：此位置在四通多路阀上不可用。

一般维护指南

为确保 MultiCyclone 的最长使用寿命，请遵循以下步骤：

1. 通过 MultiCyclone 的透明沉积池进行目测监控。当沉积物积存到一半时，清洁沉积池。
2. 将泳池/水疗池的水质维持在正确的化学平衡。水质化学平衡涉及 pH 值、总碱度、钙硬度和水温。水质必须始终维持在以下状态：

PH 值	: 7.2和7.8之间。
总碱度	: 80和150ppm之间。
钙硬度	: 150和300ppm之间。

此外在这些公差范围内，应将朗格利尔饱和指数平衡在 -0.2 至 $+0.2$ 之间。

注意：您可使用试剂盒自行检测水质，也可将水质样本送到专业泳池和水疗中心检测。

3. 需监控自来水和农村用水的供应情况。自来水（生活用水）或者水井（农村用水）的饱和度将根据水质的不同而变化
4. 为防止损坏水泵和过滤器，以及正确操作系统，应定期清洁水泵滤网和浮渣滤篮。
5. 如果观察到读数错误，应更换压力表。

防冻

在寒冷气候（温度低于冰点）下，应始终对过滤器采取适当的保护措施

1. 关闭水泵/关闭进口阀。
2. 打开排气阀并打开排污阀，让水从 MultiCyclone 中流出
 - a. 对于介质过滤器，将多路阀手柄移至防冻位置（过滤器和废水之间）。
 - b. 对于滤芯式过滤器，打开排气阀，将使空气能够通过所有端口。
3. 拆下水泵上的所有排水塞。
4. 排出管道中的水。

故障排除指南

症状	潜在问题/解决方案
池水浑浊	消毒剂浓度不足
	泳池所用化学品不适合。
	泳池负担过重和/或污物过多。
	流量不正确。
	运行时间不够。(增加水泵的运行时间。)
	过滤器过脏。(按照说明进行清洁。)
	滤芯上有孔。
	吸入管路空气泄漏
	水泵叶轮片堵塞
水流过缓	其他限制包括(泳池吸尘器)来自其他内联设备(如滤网)的阻力。
	水泵未启动。
	检查过滤篮内是否有物
	检查吸入侧是否漏气。
	检查吸入管或回流管是否受限或堵塞。
	系统过滤器需要清洁或更换。
	泳池水位过低。
	水泵未启动。
	水泵叶轮片堵塞。
过滤周期短	未使用过滤篮和/或未定期清洁过滤篮。
	水泵在低速(低电压)下运行。
	存在藻类,检查消毒剂含量。
	检查 pH 值和总碱度。
启动时压力大	水泵的输出超过过滤器的设计流速,检查水泵的性能。
	清洁效果不佳,检查沉积池的状况。
	泳池/水疗池回流口处的配件过小。
启动时压力大	回流管路上的阀门部分关闭。
	水泵太大,检查是否需要更换。

质保

MultiCyclone 有三年的质保期。商业安装有一年的质保期。

* 请参阅运水高公司的质保条款。



注意：请访问运水高官网 www.waterco.com 或扫描二维码，获取运水高质保手册的电子版。

NOTE

NOTE

NOTE

NOTE

OFFICES – AUSTRALIA
BUREAUX – AUSTRALIE
NIEDERLASSUNGEN – AUSTRALIEN
OFICINAS: AUSTRALIA
KANTOREN – AUSTRALIË
ESCRITÓRIOS – AUSTRÁLIA
UFFICI – AUSTRALIA
KONTOR – AUSTRALIEN
TOIMIPAIKAT – AUSTRALIA
KONTORER – AUSTRALIA

المكاتب – أستراليا

办事处 澳大利亚

NSW - SYDNEY HEAD OFFICE
SIÈGE SOCIAL
HAUPTSITZ
OFICINA CENTRAL
总部
Tel : +61 2 9898 8600

VIC/TAS - MELBOURNE
Tel : +61 3 9764 1211

WA - PERTH
Tel : +61 8 9273 1900

QLD - BRISBANE
Tel : +61 7 3299 9900

SA/NT - ADELAIDE
Tel : +61 8 8244 6000

ACT DISTRIBUTOR
Tel : +61 2 6280 6476

OFFICES – OVERSEAS
BUREAUX – MONDE
NIEDERLASSUNGEN – INTERNATIONAL
OFICINAS – EXTRANJERO
KANTOREN – OVERZEEES
ESCRITÓRIOS – OUTROS PAÍSES
UFFICI – ESTERO
KONTOR – ÖVRIGA LÄNDER
TOIMIPAIKAT – MUUT MAAT
KONTORER – ANDRE LAND

المكاتب – الدول الخارجية

海外办事处

WATERCO (EUROPE) LIMITED
SITTINGBOURNE, KENT, UK
TEL : +44 (0) 1795 521 733

WATERCO USA
AUGUSTA, USA
TEL : +1 706 793 7291

WATERCO CANADA
BOUCHERVILLE, QUEBEC, CANADA
TEL : +1 450 748 1421

WATERCO (NZ) LIMITED
AUCKLAND, NEW ZEALAND
TEL : +64 9 525 7570

WATERCO (C) LIMITED
GUANGZHOU, CHINA
TEL : +8620 3222 2180

WATERCO (FAR EAST) SDN BHD
SELANGOR, MALAYSIA
TEL : +60 3 6145 6000

PT WATERCO INDONESIA
JAKARTA, INDONESIA
TEL : +62 21 4585 1481

WATERCO SINGAPORE INTL PTE LTD
MAPEX, SINGAPORE
TEL : +65 6344 2378

WATERCO VIETNAM COMPANY LIMITED
HO CHI MINH CITY, VIETNAM
TEL : +84 28 3622 7780

www.waterco.com

This web site address will enable you to select the appropriate country website./ Rendez-vous sur le site Web ci-dessus pour sélectionner le site Web du pays de votre choix./Auf dieser Website können Sie das entsprechende Land auswählen./Esta página web le permitirá seleccionar el sitio web adecuado para su país./Op de website kunt u de juiste landenwebsite selecteren./Este endereço de website permitir-lhe-á seleccionar o website do país adequado./A questo indirizzo web è possibile selezionare il sito internet per il Paese specifico./På webbadressen kan du välja webbsidan för det land du önskar./Tämän verkkosivuston kautta voit valita haluamasi maan verkkosivuston./Denne nettsideadressen lar deg velge nettsiden til det aktuelle landet for deg./ يمكنك عنوان الموقع الإلكتروني هذا من اختيار الموقع الإلكتروني المناسب الخاص بالبلد المعني./ 通过此网址您可选择相应国家/地区的网站。

* Reference to MultiCyclone 16 Only./ * Pour le MultiCyclone 16 uniquement./ * Referenz nur für MultiCyclone 16./ * Referencia solo para MultiCyclone 16./Geldt alleen voor MultiCyclone 16./ * Referência apenas ao MultiCyclone 16. / * Si riferisce solo al MultiCyclone 16./ * Endast referens till MultiCyclone 16./ * Koskee vain MultiCyclone 16:ta./ * Kun referanse til MultiCyclone 16./ * فقط MultiCyclone 16 يشير إلى طراز * / * 仅参考 MultiCyclone 16*

WATERCO

Waterco Limited ABN 62 002 070 733



Certified to
NSF/ANSI/CAN 60