

EN



INSTALLATION GUIDELINES

INSTALLATION/SERVICING/MAINTENANCE/SAFETY ADVICE



DEL 

ABOVE-GROUND COVER

CONTURA

CONTENTS

PLEASE READ THESE INSTRUCTIONS CAREFULLY AND KEEP THEM FOR FUTURE REFERENCE

Please read this manual carefully to help you understand all of the information and to ensure safe installation, use and servicing. We cannot be held liable for any damage arising due to a failure to respect the instructions set out in this manual.

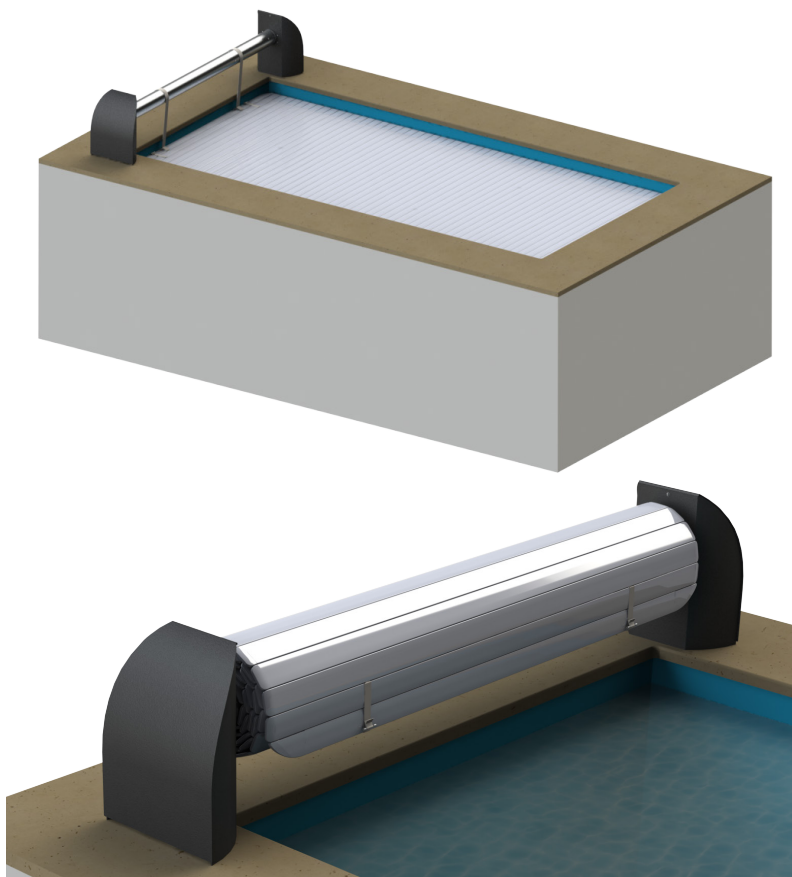
INFORMATION.....	p. 4-5
Electrical and solar-powered version	p. 4
Roller	p. 5
DESCRIPTION.....	p. 6-7
Components provided	p. 6
Tools required for Mounting.....	p. 7
Packing list	p. 7
INSTALLATION.....	p. 8-33
Pre-installation information	p. 8
Mounting/positioning/fastening	p. 9
Roller Mounting.....	p. 9-10
Positioning of the Roller in relation to the pool	p. 11-13
Installation of the motor	p. 14
Control box.....	p. 15
Wiring for solar-powered version with key switch.	p. 16
Wiring for Aqua9 electrical version with key switch.	p. 17
Wiring for solar-powered version with Wi-Key	p. 18
Wiring for Aqua9 Control box with Wi-Key.....	p. 19
Wiring for MIT 1210-3210 Control box with Wi-Key	p. 20
Wiring for MIT 1210-3210 Control box with <u>key switch</u>	p. 21-22

CONTENTS

Wi-Key	p. 23-25
Settings for detachable motor	p. 26-30
Setting for fixed motor	p. 31-33
Sealing the terminals	p. 33
SERVICING/MAINTENANCE.....	p. 34-36
Pool water level.....	p. 34
Water filtration and treatment	p. 34
Servicing (customer's responsibility)	p. 34
Battery	p. 35
Wintering.....	p. 35
Maintenance	p. 35
Roller clutch.....	p. 36
SAFETY ADVICE AND STANDARDS	p. 37-38
RECYCLING	p. 39

ELECTRICAL AND SOLAR-POWERED VERSION

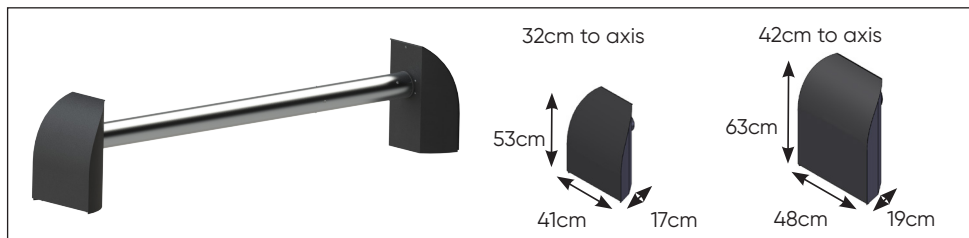
Opening and closing manoeuvres can be carried out by one person and take around 2 minutes and around 3 minutes for locking and unlocking the fastening kit.



- On infinity pools, DEL covers cannot be compatible unless the pool is equipped with a Vitalia INFINITY kit to automatically lower the water level by at least 2cm when the pool cover is closed.
- Currently, DEL covers including a removable slats for step unit on the length to go over a ladder do not comply with standard NF P90-308
- Unless the alarm manufacturer indicates otherwise, immersion alarms are not compatible with DEL covers.

INFORMATION

THE ROLLER



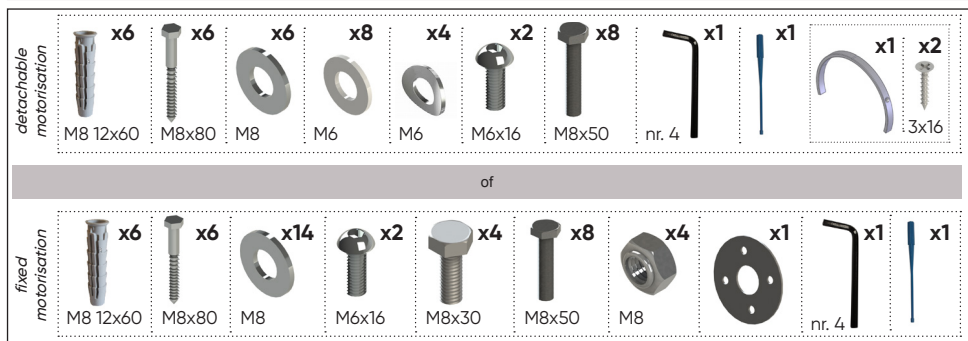
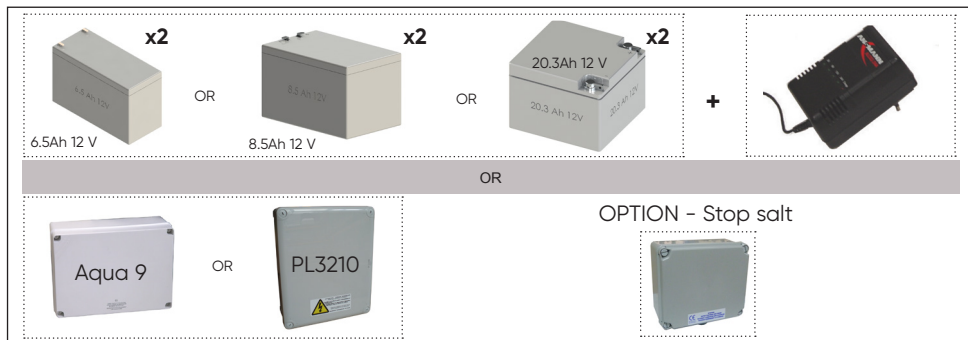
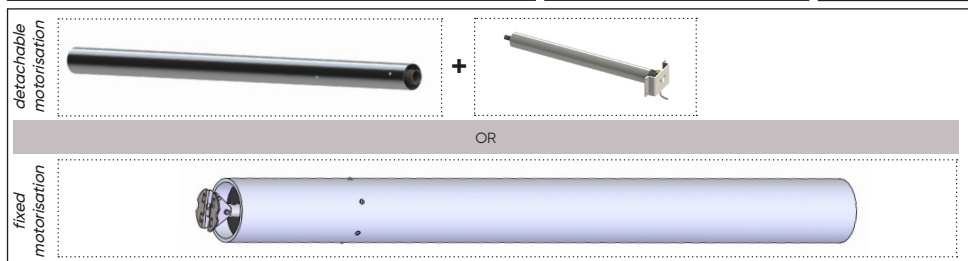
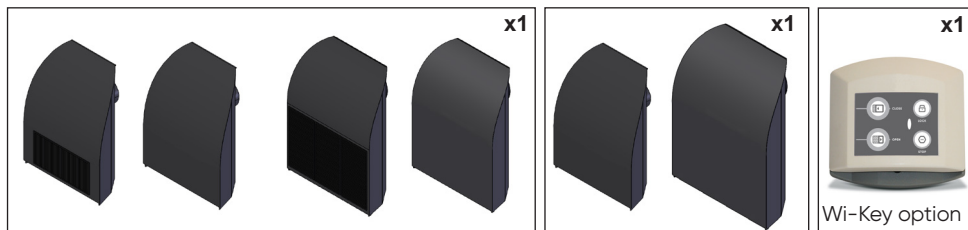
	<ul style="list-style-type: none"> • The motor (which complies with electrical standards) is located in the tube and can be accessed from inside the end-stand.. • The mechanical or electronic "limit switches" "depending on the model" allow the slats to be blocked when it has been fully unrolled or when it is fully rolled onto the pole.
	<ul style="list-style-type: none"> • Electrical version: The control box is installed in the technical room close to the pool.
	<ul style="list-style-type: none"> • Solar-powered version: The solar panel(s) and the batteries are integrated into the terminal.

Optional:

	<p>Control:</p> <ul style="list-style-type: none"> • Wi-key • Key switch
	<ul style="list-style-type: none"> • "Automatic switch (torque limiter)": protects the system if anything is forgotten during the unlocking process (fastening kits or other), when the opening the pool cover. If the cover is blocked, the motor will stop automatically.
	<p>Optional:</p> <ul style="list-style-type: none"> • Electrolyser coupling (electrical version only): "Stop salt" control box : connected to the control box of the cover and the electrolyser and is used to automatically reduce the production of chlorine when the pool is closed.

DESCRIPTION

COMPONENTS PROVIDED



DESCRIPTION

TOOLS REQUIRED FOR MOUNTING



PACKING LIST

Example for a 4x8m pool:

1 parcel - 0.80 x 0.60 x 0.55m 40kg

1 parcel - 4.30 x 0.20 x 0.20m 25kg

4 parcels - 4.10 x 0.25 x 0.20m 150kg

Total weight : 215kg

MOUNTING



2 people



3 hours

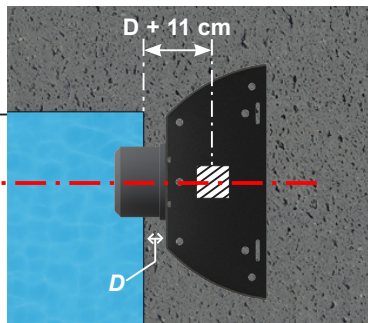
INSTALLATION

PRE-INSTALLATION INFORMATION

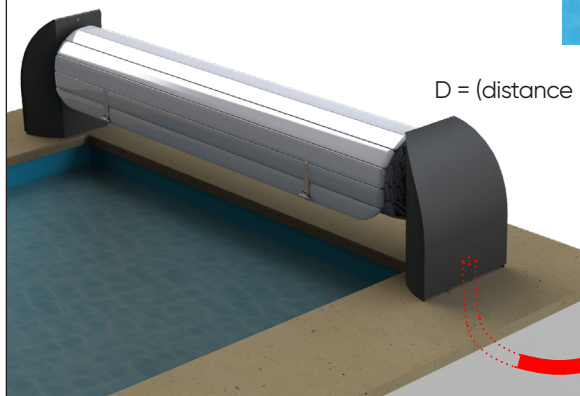
ELECTRICAL VERSION

Remember to place a conduit for the wiring to connect the Control box with the motor terminal.

See positioning rules page 11



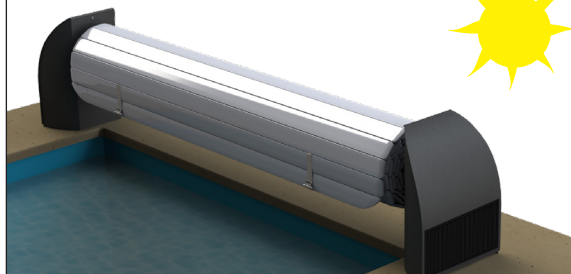
$$D = (\text{distance between terminals} - \text{pool width}) / 2$$



or



SOLAR-POWERED VERSION

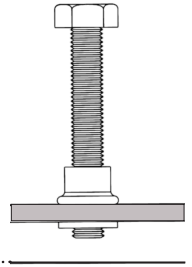
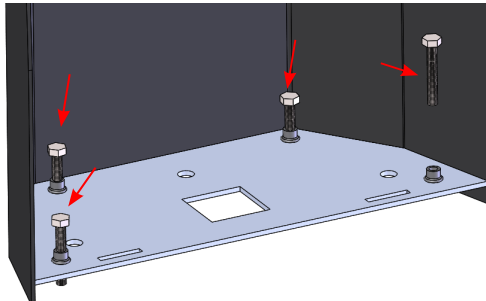
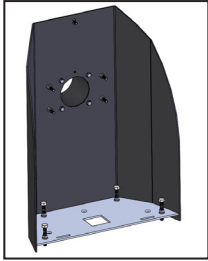


Place the solar collector on the side that gets the most sunshine.

INSTALLATION

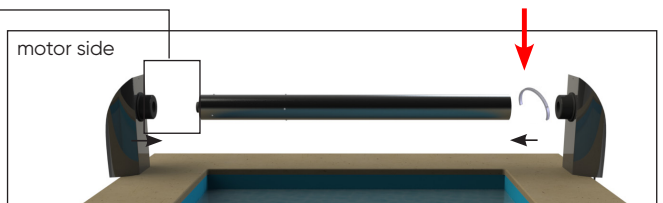
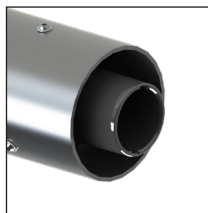
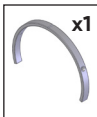
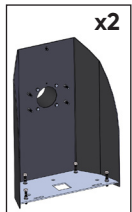
MOUNTING/POSITIONING/FASTENING

▶ PUT THE FASTENING SCREWS INTO POSITION



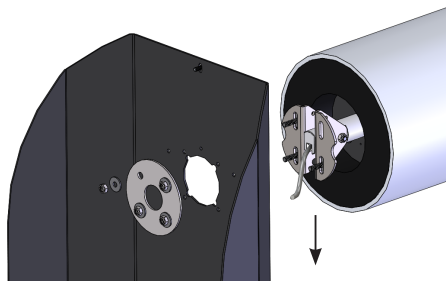
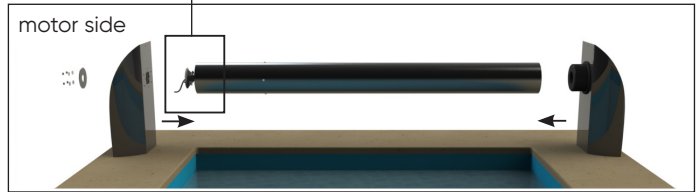
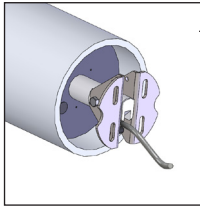
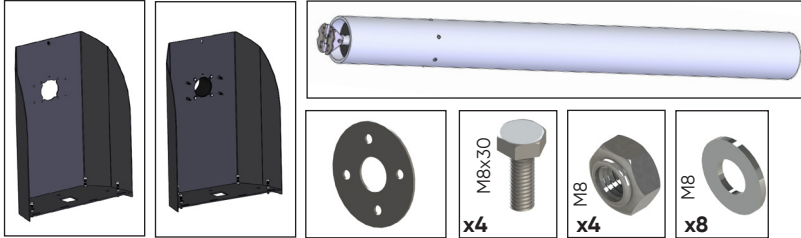
ROLLER MOUNTING

▶ CONTURA DETACHABLE MOTOR



INSTALLATION

▶ CONTURA FIXED MOTOR



INSTALLATION

POSITIONING OF THE ROLLER IN RELATION TO THE POOL

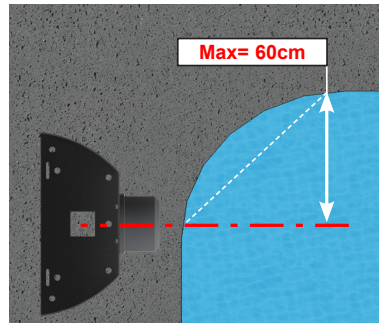
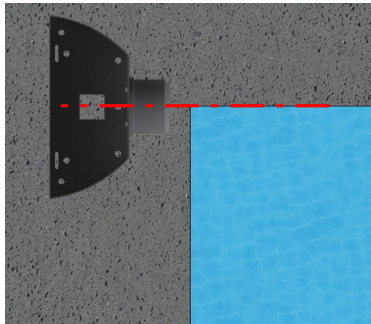
POSITION 1

Depending on the corner angles of the pool and fastening kits on the roller side.

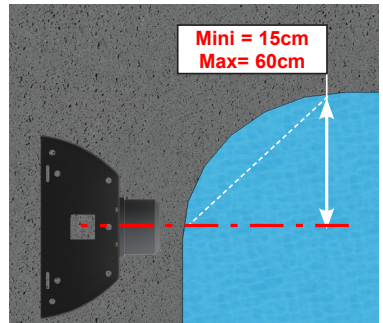
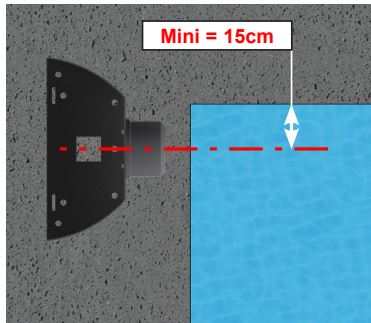
Sharp corners

Rounded or cut-off corners

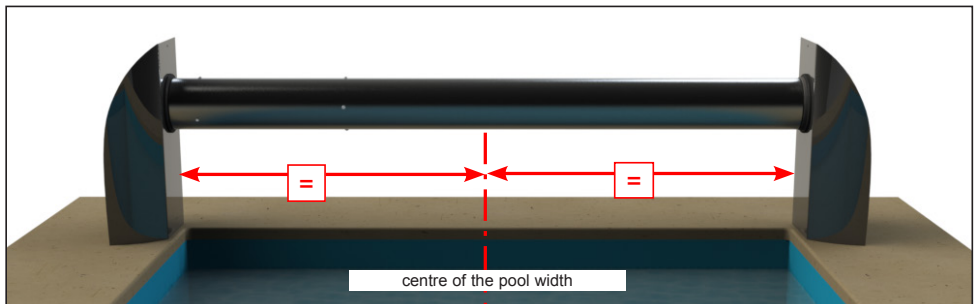
With Pushlock or Straplocks



With Quicklock

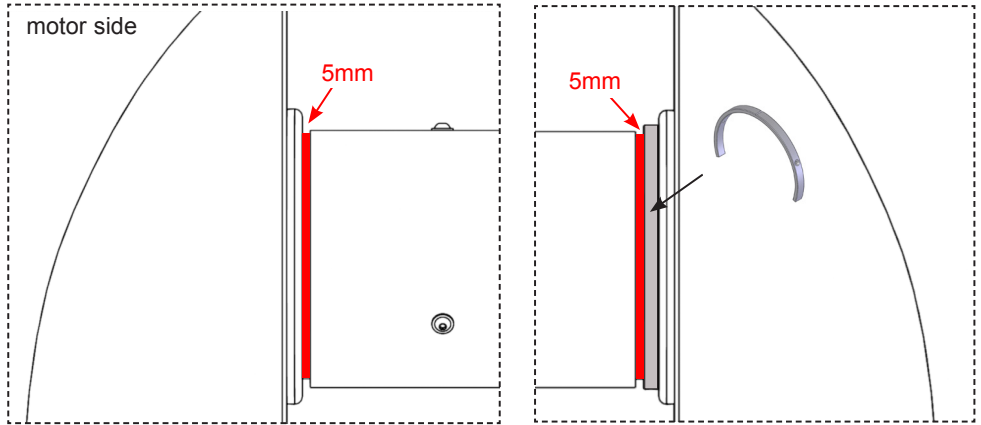


POSITION 2

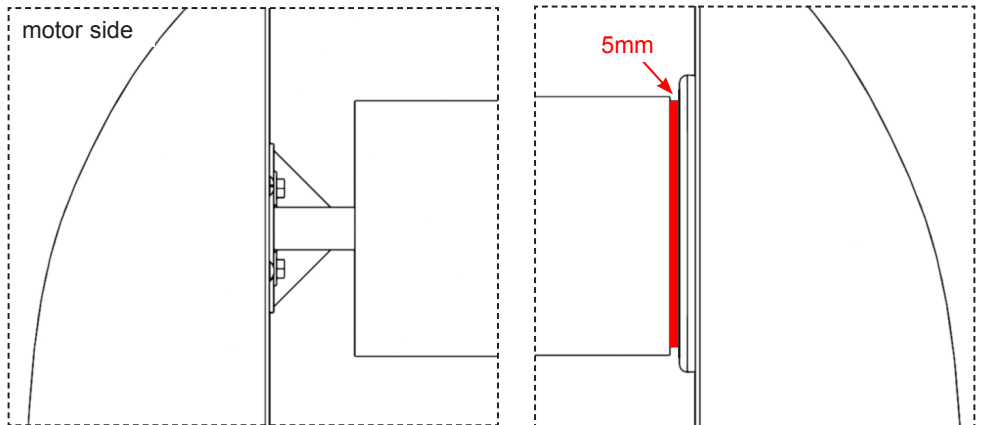


INSTALLATION

▶ CONTURA DETACHABLE MOTOR

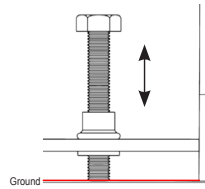
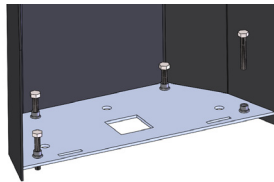
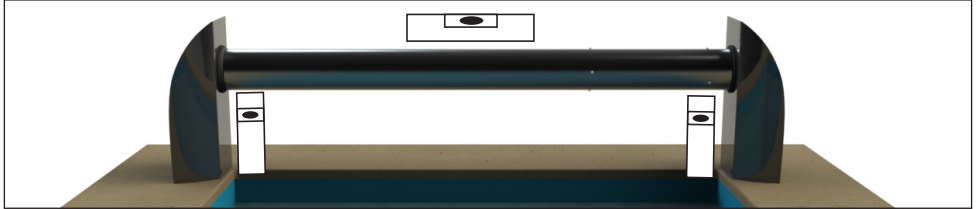


▶ CONTURA FIXED MOTOR



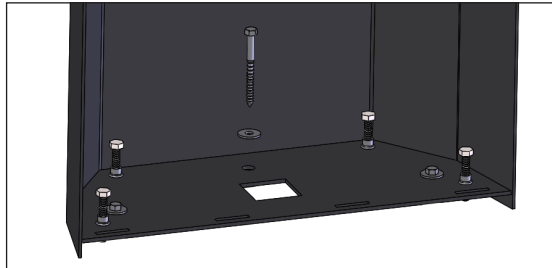
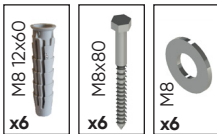
INSTALLATION

▶ LEVELLING THE TUBE

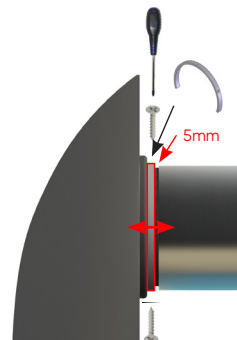
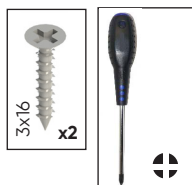


▶ FASTEN

Before fastening it into place, ensure that you have 5mm clearance on the side on each side (see "position 2" page 11)



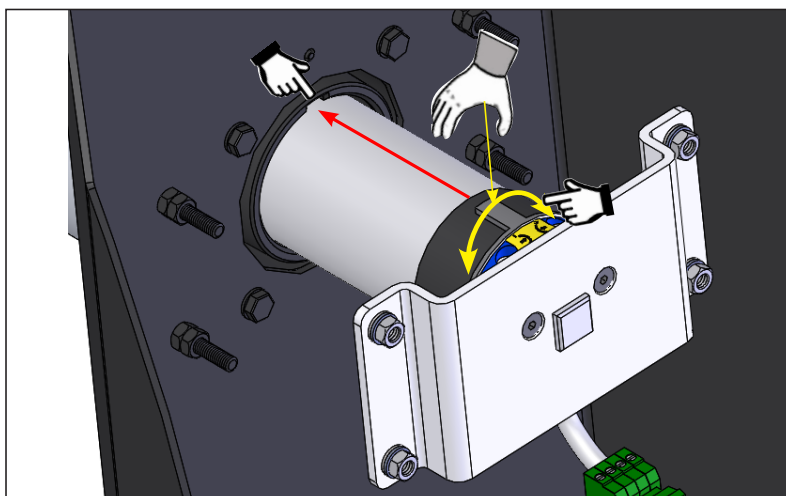
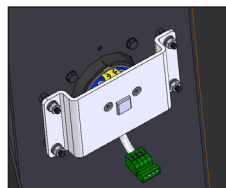
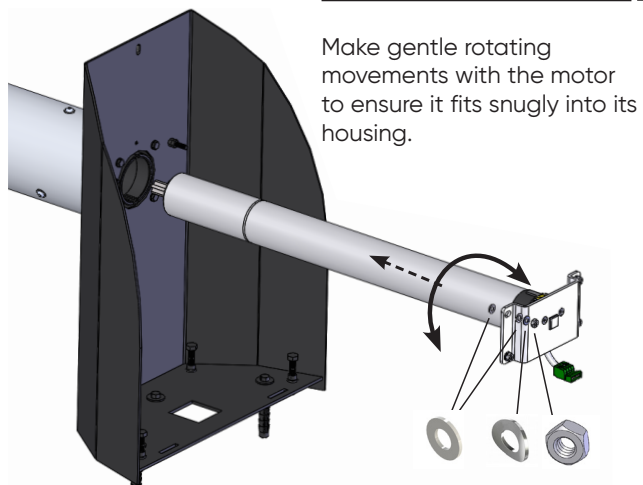
Fasten the clamp ring



INSTALLATION

INSTALLATION OF THE MOTOR

▶ CONTURA DETACHABLE MOTOR



INSTALLATION

CONTROL BOX

The electrical connection of the equipment must only be carried out by a qualified professional, and they must comply with the manufacturer's instructions in addition to the following applicable standards and regulations:

- NF C15-100: Low voltage electrical installations
- CEI 60364: Electrical installations for buildings

Please refer to the leaflet enclosed with the control box to ensure correct installation.



Incorrect installation may result in an electric shock, or it may even damage the equipment. We recommend that you disconnect the control box prior to any work being carried out on it.

Any specific electrical supply line must be protected by a 30mA circuit breaker along with a sufficient overcurrent protection kit.

We recommend use of shielded cable with a nominal cross-section that is not lower than the one indicated in the following table:

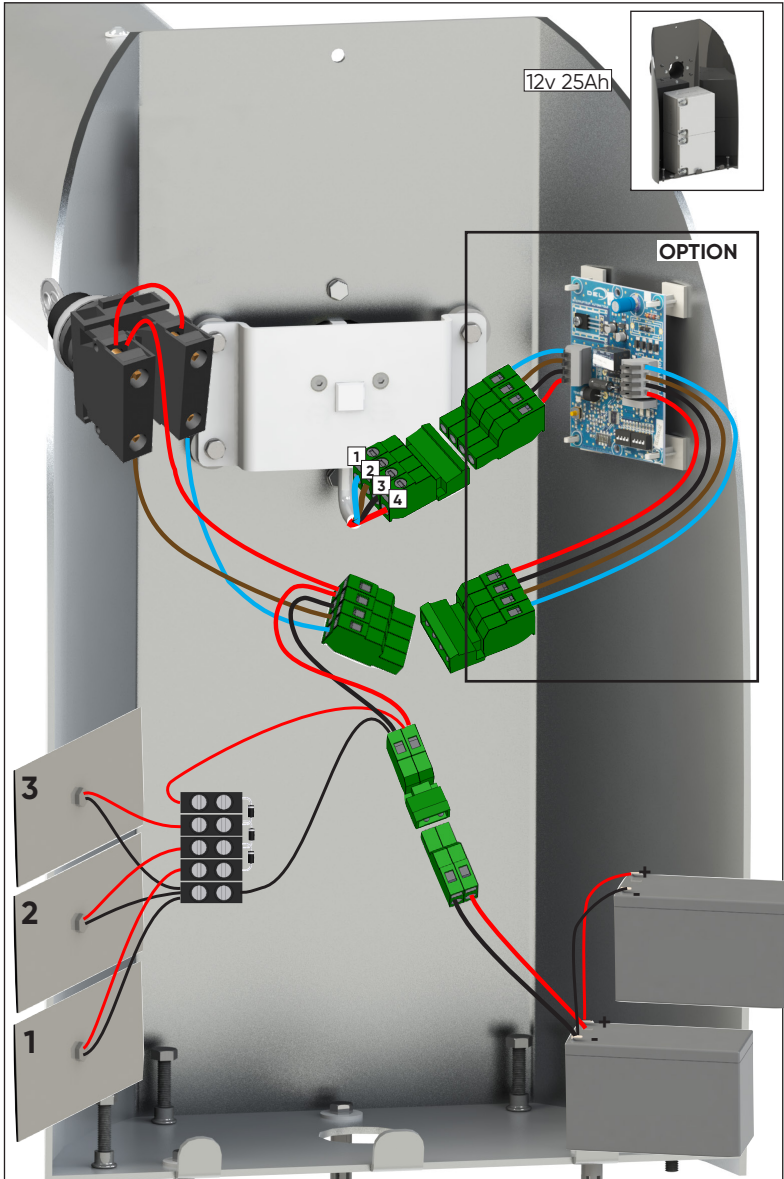
Current specified for the equipment A	Nominal cross-section mm ²
≤ 0.2	Flat twin tinsel cord a
> 0.2 and ≤ 3	0.5 a
> 3 and ≤ 6	0.75
> 6 and ≤ 10	1.0 (0.75) b
> 10 and ≤ 16	1.5 (1.0) b
> 16 and ≤ 25	2.5
> 25 and ≤ 32	4
> 32 and ≤ 40	6
> 40 and ≤ 63	10

NOTE: For power cables supplied with polyphase equipment, the nominal cross-section of the conductors is based on the maximum cross-section of the phase conductors at the end of the power cable that is intended to be connected to the terminals of the unit.

- a These cables can only be used if their length, as measured between the point where the cable or cable protector enters the equipment and the connection to the mains supply, does not exceed 2m.
- b Cables that have the cross-sections indicated in supports can be used for mobile equipment if their length does not exceed 2m.

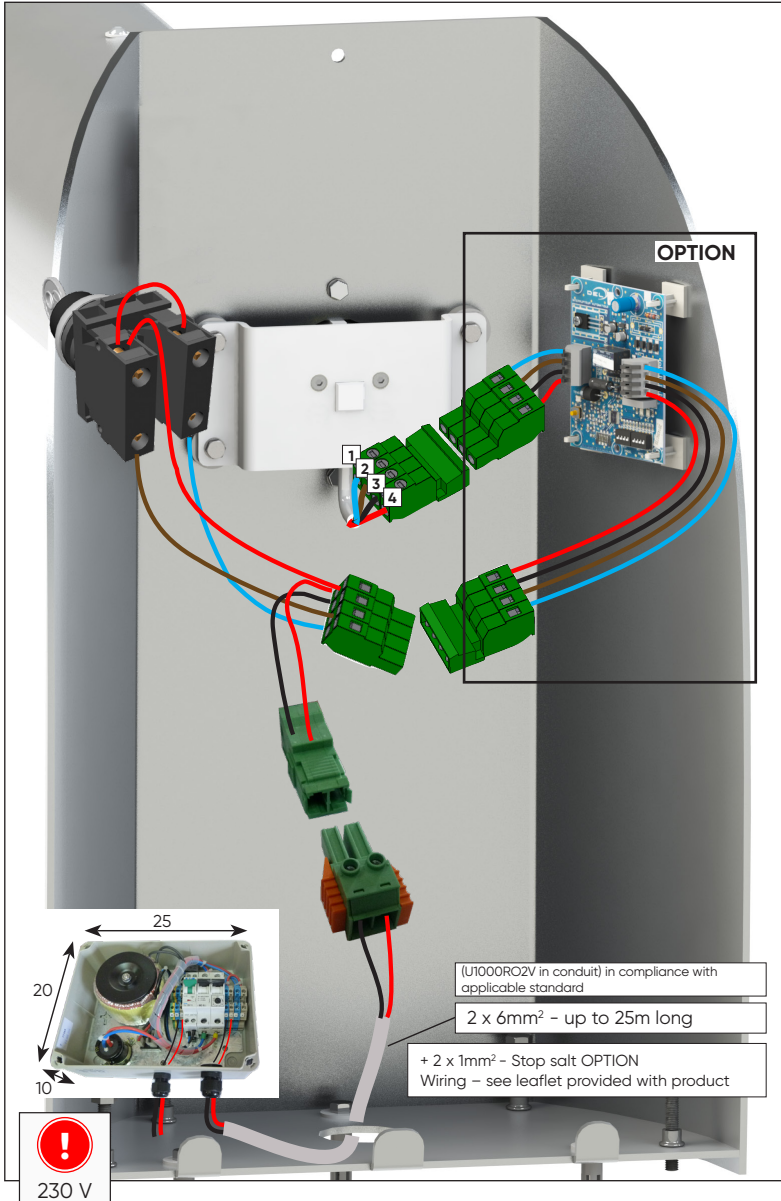
INSTALLATION

WIRING FOR SOLAR-POWERED VERSION WITH KEY SWITCH.



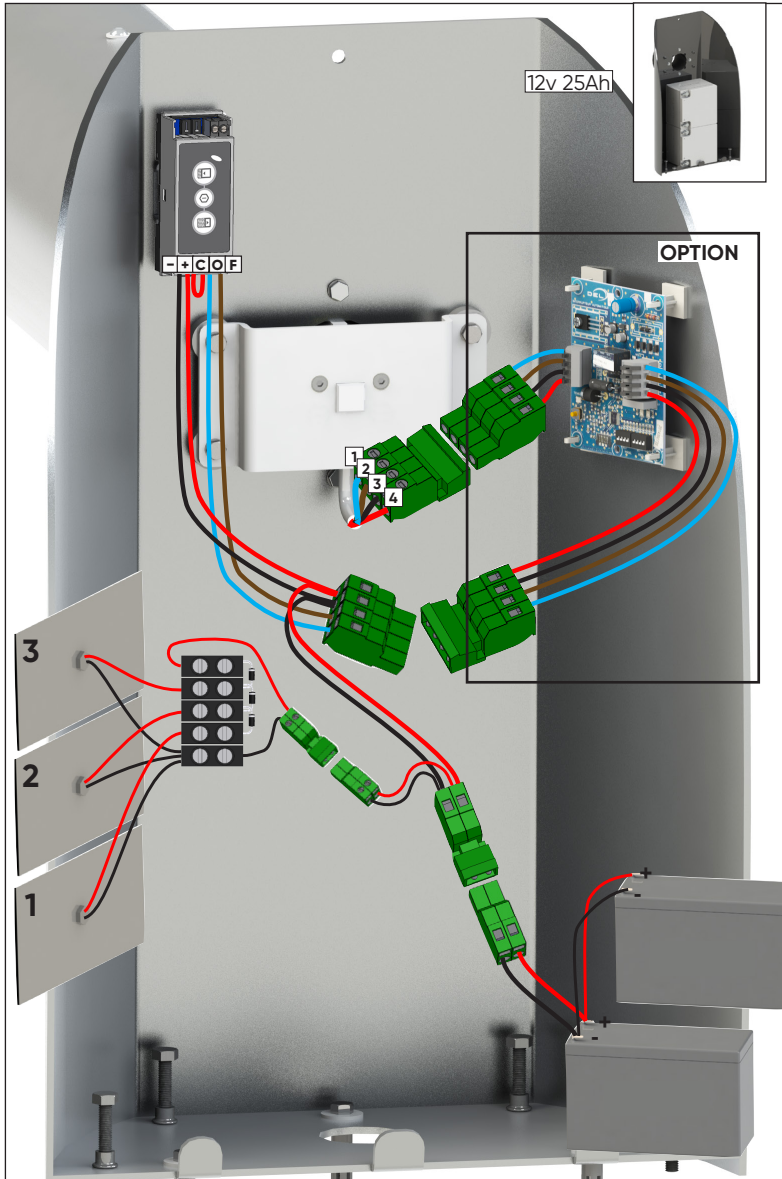
INSTALLATION

AQUA9 CONTROL BOX WIRING WITH KEY SWITCH



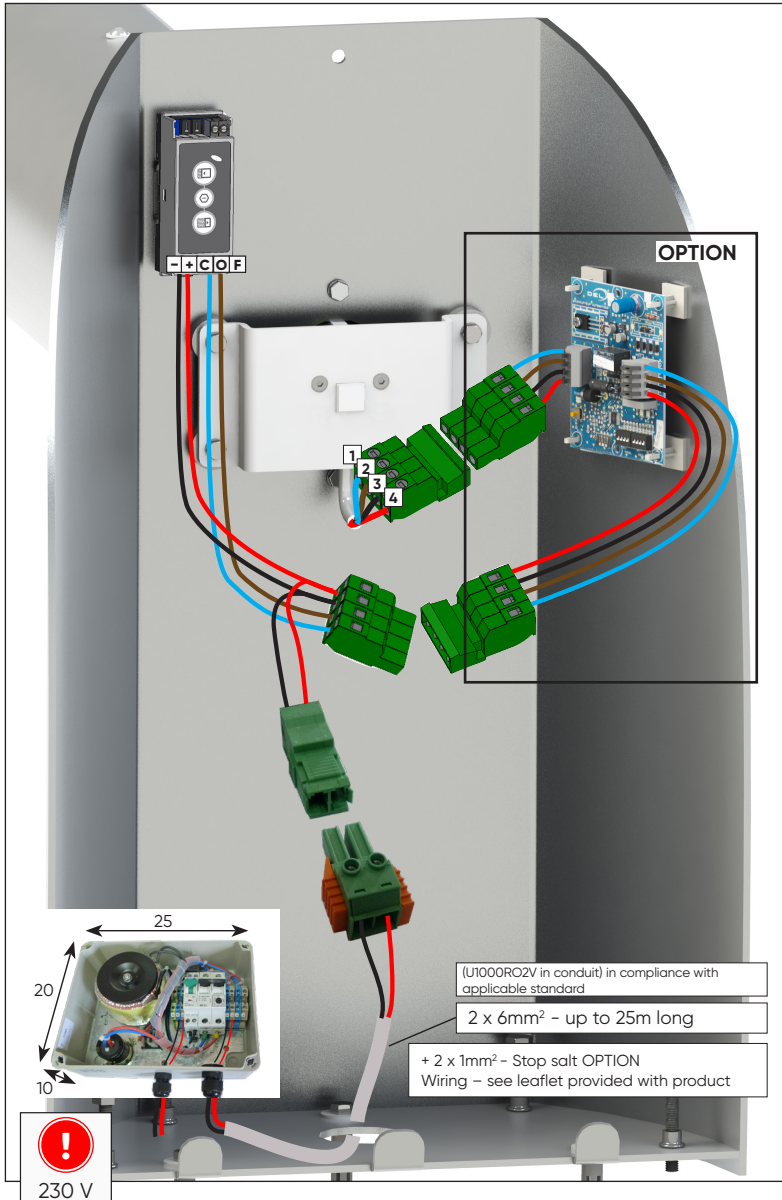
INSTALLATION

AQUA9 CONTROL BOX WIRING WITH WI-KEY



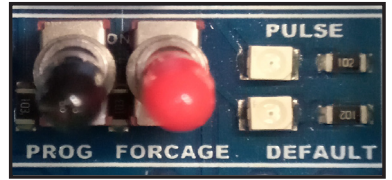
INSTALLATION

MIT 1210-3210 CONTROL BOX WIRING WITH WI-KEY

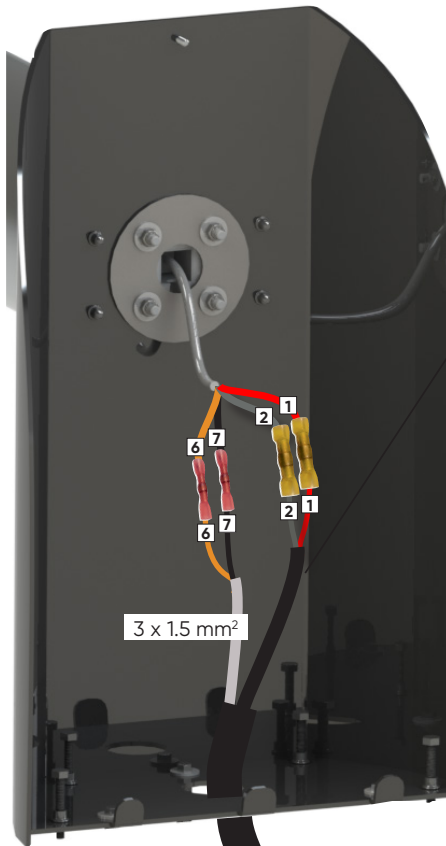


INSTALLATION

MIT 1210-3210 CONTROL BOX WIRING WITH WI-KEY

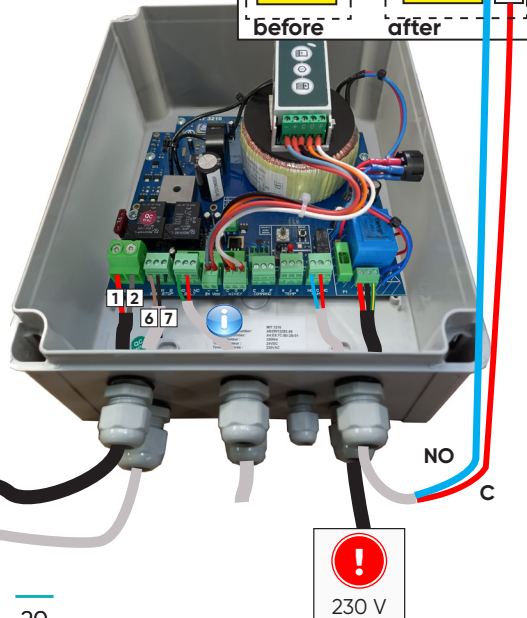
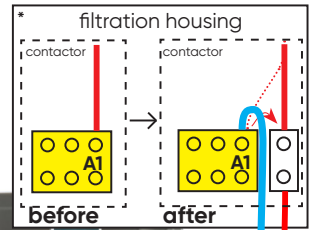


Signification of LEDs (see page 33)



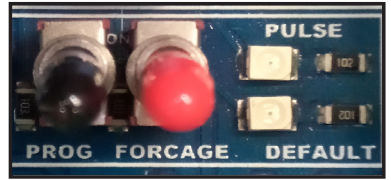
2 x 6 mm² - up to 25m

(RO2V in conduit)

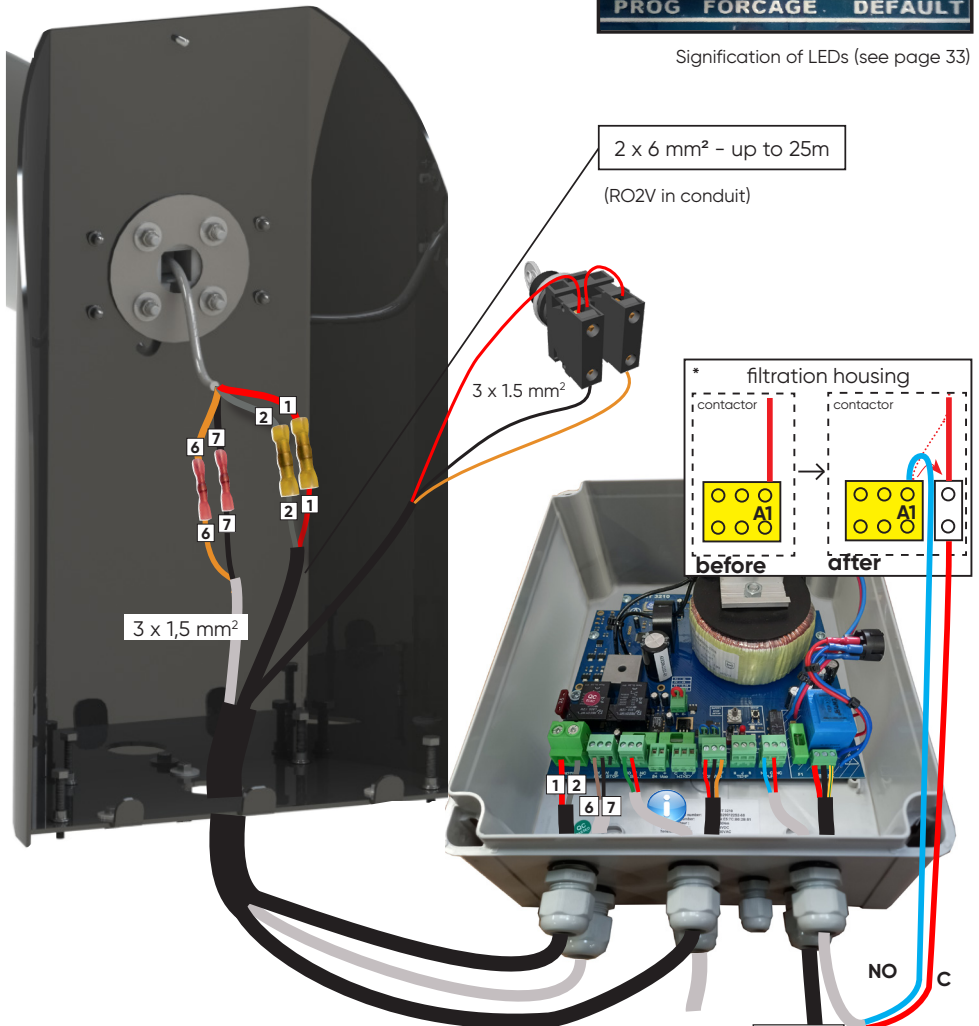


INSTALLATION

WIRING FOR MIT 1210-3210 CONTROL BOX WITH KEY SWITCH



Signification of LEDs (see page 33)



INSTALLATION

* "PUMP" terminal block Piloting the filtration pump

When the cover is moving: Contact C-NO open (stop filtration) and contact C-NC closed (filtration).



** "SALT" terminal block Electrolyser control

From 80% closed: Contact C-NO closed and contact C-NC open

From 20% open: Contact C-NO open and contact C-NC closed

The position of the dry contact is saved in the memory in case power to the Control box is ever switched off.



salt electrolyser

α* : Wire may or may not be present according to the type of motor



Its location must allow you to check that no-one is in the pool during the operation.



**The warranty will not apply if the housing is pierced.
Use the mountings supplied with the housing in order to preserve the IP rating.**





We advise you to put some waterproofing gel in the connection box once the wiring is installed.

INSTALLATION

WI-KEY



Flashing green/red = transmitter locked
See transmitter unlocking procedure page 25.

	 Receiver	 Transmitter
Manufacturer	DEL	DEL
Reference	Wi-Key receiver	Wi-Key transmitter
Category	3 (NF EN 300220-1)	3 (NF EN 300220-1)
Range	50m open field range	50m open field range
	25m through a concrete wall	25m through a concrete wall
Power supply	12 to 48 Vcc 30mA max	2 1.5V AAA batteries
Protection rating	IP40	IP54

The transmitter must be set outside of the volume 0 position.
(volume 0 is the part that is underwater, even if immersion is temporary).

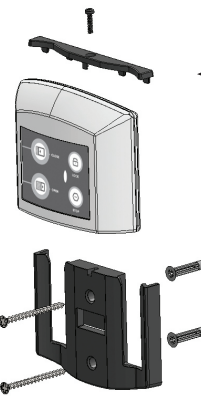
The distance between the transmitter and the receiver must not exceed:

- 50 m open field range.
- 25 m behind a single wall.
- 15 m behind several walls or a particularly thick wall.

Frequency bands used by the transmitter-receiver: 868MHz to 868.6MHz
Maximum power of the radiofrequency: 10mW

We advise you to check the transmitter-receiver connection prior to fastening the elements into place.

INSTALLATION



- It must be located in a place that allows the user to check that no-one is in the pool during the operation.
- The "locking bar" has to be installed and bolted into place.
- Before fixing the emitter to the wall, ensure that the transmitter is communicating with the receiver.

← The support must be fastened on to a wall.



Close



Open



Lock keypad

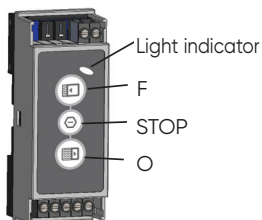


Stop current operation

▶ PAIRING A NEW TRANSMITTER

Receiver

1



Press "STOP" and hold the button down, then press "O" for more than 3 seconds OK when the "Light indicator" flashes green.

Pairing of a new transmitter must be carried out within the following 30 seconds.

Transmitter

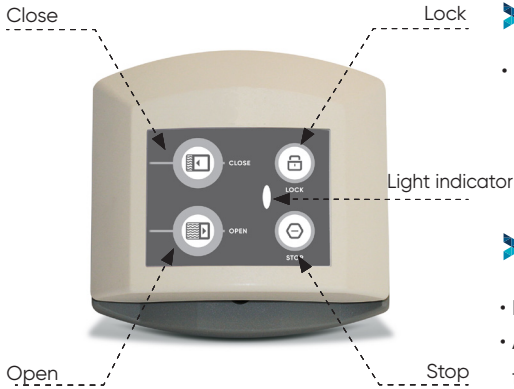
2






Press "STOP" and hold the button down, then press "O" for more than 3 seconds OK when the Light indicator flashes red/green.

Pairing of a new transmitter must be carried out within the following 30 seconds.







INSTALLATION



▶ LOCK WI-KEY

- Press  for more than 3 seconds until the  Light indicator flashes  = system locked

▶ UNLOCK WI-KEY

- Press  and hold
- At the same time: press successively on the following three buttons:
  
- The  Light indicator remains lit  = transmitter unlocked

▶ LIGHT INDICATORS

When you press a button, the Light indicators below will inform you of the status (locked/unlocked) of the WI-Key, as well as the charge level of the batteries.

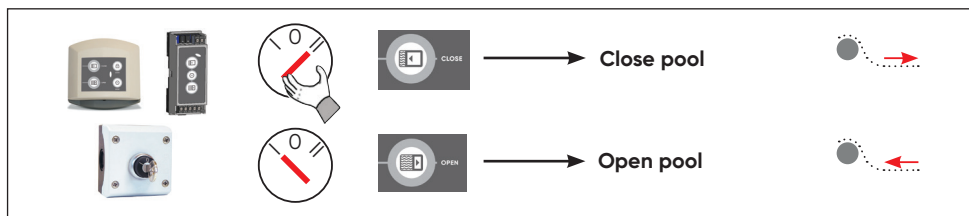
	Green LED	----->	Wi-Key unlocked
	Flashing green/red LED	----->	Wi-Key locked
	Orange LED	----->	Battery level low
	Red LED	----->	Change batteries (2 x LR03)

INSTALLATION

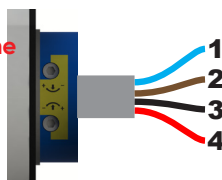
- ❗ Any person carrying out work on the electrical parts must be qualified and wear PPE (personal protective equipment): gloves, goggles, mat, etc.
- ❗ Warning: use of the pool cover control buttons present in the housing (Wi-Key receiver) must only be carried out by a person who is absolutely certain that there is no risk and that no-one will enter the pool during the operation.

SETTINGS

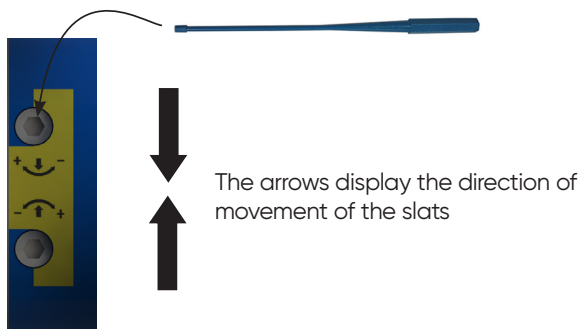
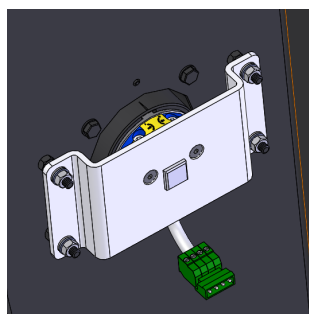
CHECK



If the control logic is not respected, check the wiring of the installation.



PROGRAMMING THE LIMIT SWITCHES



By turning in the + direction, you will increase the range of movement of the cover.
By turning in the - direction, you will decrease the range of movement of the cover.

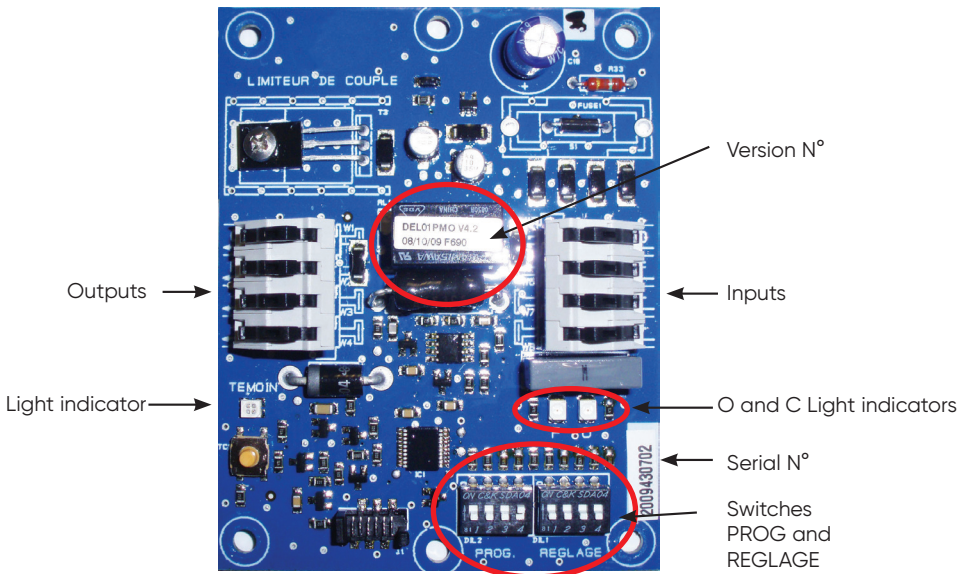
INSTALLATION

▶ PROGRAMMING THE TORQUE LIMITER

The Automatic switch (torque limiter) protects the system from any potential oversights with regard to the unlocking of the fastening kits when the pool is opened. If the cover is blocked, the motor will stop automatically.

The different reasons for a blockage:

- Fastening kits have not been unlocked.
- The cover is rubbing ; on the beam, on the copings, ...
- Presence of an object in the pool (robot, counterweight...) that is blocking the cover.



INSTALLATION

▶ CHECK THE CONTROL LOGIC

- Deactivating the Automatic switch (torque limiter) (PROG)



deactivated



- Check :



Close pool



Light indicator



Light indicatorS

O

C



Open pool



Light indicator



Light indicator

O

C



If the control logic is not respected, check the wiring of the installation.

▶ CONTROL DURATION ADJUSTMENT

L = pool length including stairs

L ≤ 12 m



30 seconds

L > 12 m



60 seconds



INSTALLATION

ROLLER MODEL ADJUSTMENT

Contura detachable motor



Contura fixed motor



CONTROL DURATION ADJUSTMENT

L = pool length including stairs

$L \leq 12$ m



30 seconds

$L > 12$ m



60 seconds



TRIGGERING SENSITIVITY ADJUSTMENT

PROG SWITCH

REGLAGE SWITCH



w = pool width

Pool Width (w)	PROG SWITCH	REGLAGE SWITCH
$w \leq 3$ m		
$w \leq 3.50$ m		
$w \leq 4$ m		
$w \leq 4.50$ m		
$w \leq 5$ m		

Maximum sensitivity

Minimum sensitivity

If you notice that triggering is occurring at random times, reduce the triggering sensitivity by increasing the setting to one designed for a wider pool.

INSTALLATION

ACTIVATION OF THE AUTOMATIC SWITCH (TORQUE LIMITOR)



↓ activated

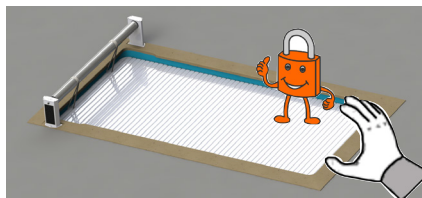
Failure to activate the Automatic switch (torque limiter) can cause serious damage to the motor, the Control box and the slats, which will affect the warranty.



TEST

A - Block the cover manually or with the locking kits and open it while watching the pool.

=> The motor is stopped automatically (if required, adjust the triggering sensitivity).



If you notice that triggering is occurring at random times, reduce the triggering sensitivity by increasing the setting to one designed for a wider pool.

ACTIVITY CARD	LIGHT INDICATORS	o	c	
	Opening, check underway			
	Closing			
	Close			
	Protection triggered			

INFORMATION

The cover stops when the pool is being opened:

1 – Stoppage due to a genuine blockage

(failure to unlock safety locking kits or any other reason):

- Close for more than 3 seconds until the slats are no longer stretched.

The next attempt to open it will remain protected by the system.

- Remove the cause(s) of the blockage(s) and restart the opening procedure.

2 – Unintentional shutdown

- Close for 1 to 3 seconds.

The next attempt to open it will no longer be protected by the system.

- Try to open the pool again.
- If shutdowns are being triggered at random times, reduce the sensitivity of the board.
- If the motor is being overexerted before triggering occurs, increase the sensitivity of the board ("triggering sensitivity" setting).

Opening protected



Opening not protected

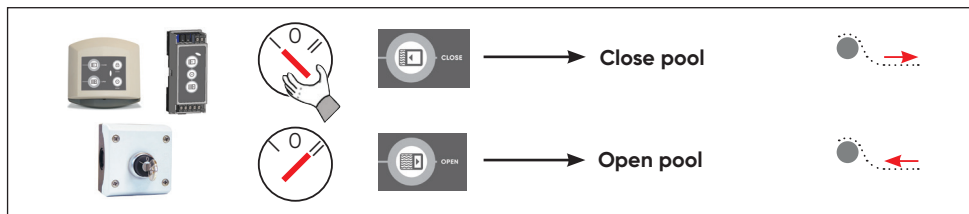


INSTALLATION

- ❗ Any person carrying out work on the electrical parts must be qualified and wear PPE (personal protective equipment): gloves, goggles, mat, etc.
- ❗ **Warning:** use of the pool cover control buttons present in the housing (Wi-Key receiver) must only be carried out by a person who is absolutely certain that there is no risk and that no-one will enter the pool during the operation.

SETTINGS FOR FIXED MOTOR

CHECK



If the control logic is not respected, check the wiring of the installation.

PROGRAMMING THE LIMIT SWITCHES

1. To memorise the starting position reference, place the cover in the open position. Use forced mode if required by setting the "FORCED" switch to ON.
2. Set the "FORCED" switch back to OFF.
3. Set the "PROG" switch to ON.
4. Unroll the cover while holding the switch in the "Close" position (if the motor does not start, the "DEFAULT" Light indicator (red LED) is not lit and the switch wiring is correct, invert the motor wires).
5. Release the switch once the pool is fully covered.
6. If required, go back (switch to Open position), this must then be followed by closing the pool.
7. Set the "PROG" switch to "OFF".

INSTALLATION

▶ PROGRAMMING AUTOMATIC SWITCH (TORQUE LIMITOR)



The Automatic switch (torque limiter) protects the system from any potential oversights with regard to the unlocking of the fastening kits when the pool is opened. If the cover is blocked, the motor will stop automatically.

The different reasons for a blockage:

- Fastening kits have not been unlocked.
- The cover is rubbing ; on the beam, on the copings, ...
- Presence of an object in the pool (robot, counterweight...) that is blocking the cover.

1. First set the limit switches for the cover.
2. Put the cover into the closed position.
3. Put the torque limiter adjustment potentiometer into the "1" position.
4. Open the cover
5. If the protection is triggered (motor stops and orange protection light flashes), close the cover again, increase the torque limiter by one position and open the cover. Repeat these operations until you reach the "high sensitivity" position of the torque limiter that allows you to open the cover without triggering the protection system.
6. Once the "high sensitivity" position has been set, we recommend that you increase the position of the torque limiter setting by one in order to obtain an average sensitivity setting. This setting will help avoid the system being triggered at random times.



The torque limiter is only active when the protection LED is lit (orange, not flashing). To deactivate it, simply put the torque limiter setting potentiometer to the 0 position.

INSTALLATION

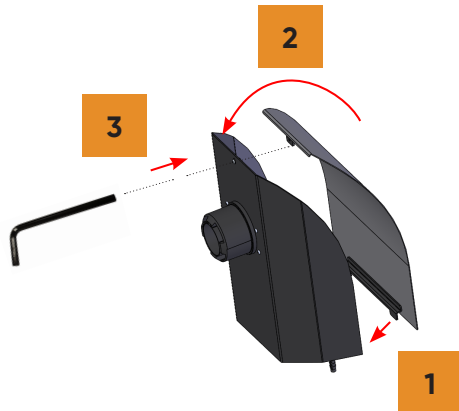
LED SIGNALLING

- ● ● Initialisation (Red LED green LED and orange LED flash alternately).
- Signal from sensor (motor working, regular slow flashing).
- Lit and not flashing = Problem with sensor (check the connections and cables).
- ● Lit and not flashing = Software problem (reprogramme the limit switches).
- Lit and not flashing = Control of over-torque.
- Fast flashing = Over-torque fault.
- Slow flashing = Acquiring over-torque protection.

RESTORE FACTORY SETTINGS

In order to restore factory settings, switch the box off then switch it on again while pressing the "SETUP" button for 4 seconds. This operation must be followed by reprogramming the limit switches.

SEALING THE TERMINALS



SERVICING/MAINTENANCE

LEVEL OF WATER IN POOL

- In order to ensure maximum safety and correct operation of the Roller, always check that the water level in the pool remains constant and complies with the manufacturer's requirements (for greater comfort, use an overflow and a water level regulator).
- A water level that is too high is due to the overflow being obstructed by leaves or other items.
- A water level that is too low means that there is a risk of blockage.
- In case of a recess or a handrail, the water level must be controlled by a level regulator.

WATER FILTRATION AND TREATMENT

- Programme filtration to take place at a time when the sun is shining on the pool and ensure that it is set to work continuously when the water reaches 28°C.
- In order to ensure that your installation will last, the water in the pool must be correctly treated in compliance with the applicable standards and recommendations (NF EN 16713-3).
- The pH, hardness and alkali levels of the water must be checked and adjusted as often as is necessary (although you will need to ensure that you don't correct these three parameters independently of each other but do so using the Taylor table and balance the water with regard to the three parameters analysed).

SERVICING (customer's responsibility)

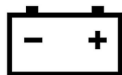
- Carry out a deep clean of the slats twice per year (the first time in the year it is used and prior to wintering). This is even more important if the water in the pool is hard. To do so, use a pressure washer with hot water and a descaling cleaning product (Décalcit super).
- Also ensure that you regularly clean the fastening kits especially the anchor to avoid it getting stuck. We recommend annual greasing of the anchor to ensure that the system works as well as possible.
- It is best to inspect the entire system if the cover is forced to bear unexpected weight at any time (if anything falls on it).
- Carry out an annual check of the straps.
- For optimal solar sensor performance, clean it regularly using a window cleaning product.

SERVICING/MAINTENANCE

BATTERIES

At the first sign of the batteries losing power, recharge them.

NEVER LET THE BATTERIES LOSE COMPLETELY THEIR CHARGE.



Always disconnect the solar collectors beforehand then disconnect the batteries.

Connect the batteries to the charger (check the polarity). Plug the charger in. It will switch on automatically to the correct voltage and the charging process will begin. The red LED shows that charging is underway. When the charge is complete, the red LED will be switched off and the batteries are then powered by a maintenance charge (see charger instructions).

Precaution: Keep your charger in a dry place. Do not recharge the batteries close to the pool, but instead do so in a dry place.

Minimum recharging time: 48 hrs

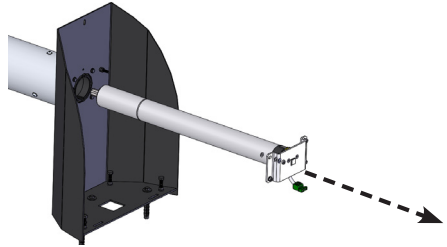
MAINTENANCE

- All interventions must be carried out by a professional, who will contact the manufacturer if necessary.
- All spare parts must come from the manufacturer or comply with applicable standards.
- Inspect the cover thoroughly.
- It is necessary to check at the start of every season and if any accident has occurred (if anything has fallen onto the cover, if hail has struck the cover, if the cover has had to bear any abnormal weight etc...) check that none of the slats has sustained any visible damage that may affect the safety of the cover (cracked slats, holes, deformations, etc...). Make sure that you change the slats or the entire cover if required.
- In summer or in winter: do not place an opaque sheet over the cover: this may damage the slats due to high temperature.
- Check the state of the straps (seams) and in particular the wear on the anti-abrasion sleeve. If the latter is no longer fulfilling its role of protecting the strap against abrasions from the pool copings, then replace it

ROLLER CLUTCH

If the motor breaks down or if there is a power cut, you can remove the motor in order to close the pool manually.

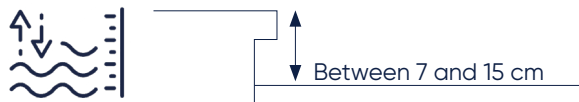
1. Cut off electrical power
2. Disconnect the motor
3. Remove the mountings and pull out the motor
4. Unroll the slats manually.
5. Attach the locking kits.



SERVICING/MAINTENANCE

WINTERING

- Position the cover in the closed position and keep the water level constant in accordance with the manufacturer's recommendations.



- During the winter season, in the event of snowfall, it is essential to remove snow from the roof using a brush with a telescopic handle.
- Snow should be removed from the cover using a blunt tool (such as a synthetic floor brush or broom).
- Winterise the pool according to its geographical location.
- Close the cover in the safety position.
- Leave the batteries connected to the reel and do not cover the solar panel.
- We recommend installing an Ivernéa winter cover or an Ivernéa Plus protective cover to protect the cover from UV rays and dirt.

SPARE PARTS

Online catalogue :



<https://www.my-cfgroup.fr/fr/pièces-detachees>

SAFETY ADVICE

Dear Customers,

Thank you for placing your trust in us by selecting a safety cover made by DEL.

Please read the recommendations set out below with care.

WARNING

Swimming pools can represent a serious danger for your children. Drowning can happen very quickly.

Children who are close to a swimming pool need to be watched constantly and actively, even if they know how to swim.

Learn lifesaving techniques.

The physical presence of an adult is absolutely essential whenever the pool is open.



Memorise the telephone numbers for the emergency services and ensure that they are displayed close to the pool.

18 (in France) or **112**

FIRE SERVICE

15

**AMBULANCE
SERVICE**

(write the number that applies in your region)



POISON CONTROL

CENTRE

SAFETY ADVICE

- This cover is by no means a replacement for common sense or individual responsibility. Its aim is not to replace the vigilance of parents and/or responsible adults, who remain the essential factor in ensuring the protection of young children.
- **WARNING:** safety is only guaranteed when the cover is closed, locked and correctly installed in compliance with the manufacturer's instructions.
- The cover must systematically be closed if you are absent from home, even for a very short period.
- Check that no people and no foreign objects are in the pool before and during opening and closing operations.
- Make sure that you place all of the tools required for moving the pool cover out of the reach of children (e.g. the key).
- The operation of the mechanism must only be carried out by a responsible adult.
- Climbing, walking or jumping on a pool cover is strictly forbidden.
- In the following cases, take all necessary precautions to prevent young children from accessing the pool :
 - if you are waiting for repairs
 - if you notice any malfunction
 - if you cannot close or secure the pool
 - if the equipment is temporarily unavailable
- Respect the water levels indicated by the manufacturer.

A child can drown in less than 3 minutes, no type of protection can ever replace the watchful eye and vigilance of a responsible adult.

RECYCLING

PACKAGING



Dispose of the packaging in line with current rules and regulations.

END OF LIFECYCLE



- Do not put your scrapped equipment or used batteries in with unsorted household waste.
- You are responsible for disposing of all of your waste, in particular electrical and electronic equipment by taking it to a collection point where recycling and valorisation are carried out.
- Some products may contain substances that are dangerous for the environment. You need to ensure that these are eliminated or neutralised.
- Make sure that you are aware of all existing recovery and collection systems.



discard the manual in line with the current regulations.



Adresses sur quefairedemesdechets.fr

REGULATIONS

STANDARD

- This cover complies with standard NFP 90-308.

WARRANTY CONDITION

log on to www.del-piscine.fr to consult all our guarantees.



<https://www.del-piscine.fr/rechercher-une-garantie>

DEL SAS
ZA LA BASSE CROIX ROUGE
35530 BRÉCÉ - FRANCE

☎ +33 (0)2 99 00 17 72

STAMP

a brand by

